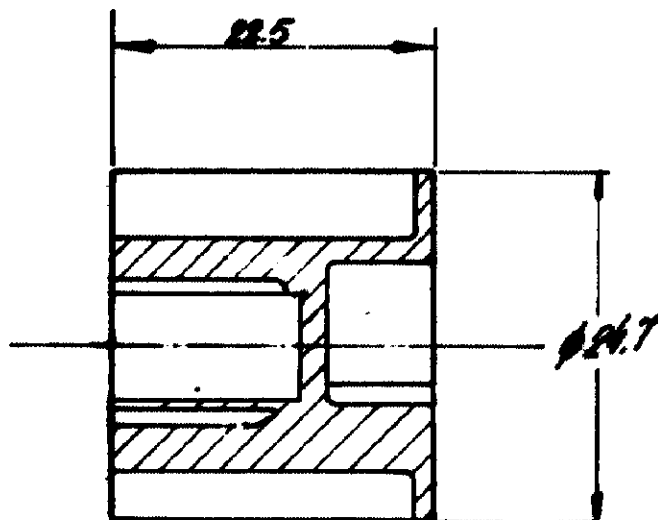
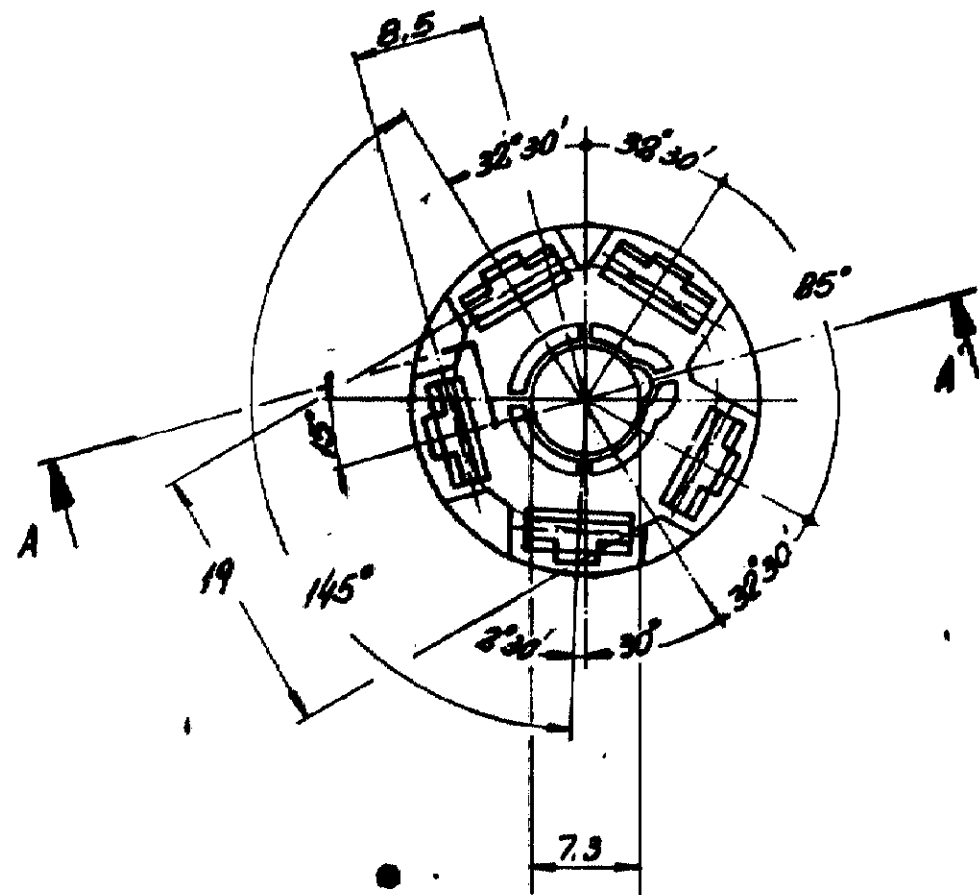
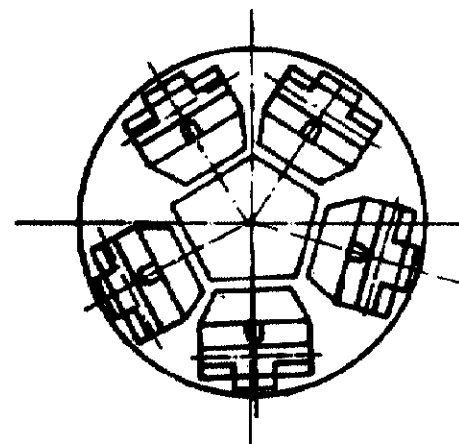


Copyright 1979. by AMP DO BRASIL - S. P. All International Rights Reserved.  
AMP Incorporated products covered by U. S. and Foreign patents and/or patents pending.

REVISIONS						
P.	F.	ZONE	LTR	DESCRIPTION	DATE	APPROVED
		B1,3	0-1	Ø 7.3 era 11.5 ; ACRESC. POLARIZACAO	9-3-81	<i>[Signature]</i>
		B1	2	NYLON 6 ERA NYLON 6/6	27-3-82	<i>[Signature]</i>
		✓ B1	C	POLIAMIDA 6.6 ERA POLIAMIDA 6.6	25/10/85	<i>[Signature]</i>
			C1	REVISED PER ECO-09-026444	27NOV09	KK AEG



SECCAO AA



1 OBSOLETE PARTS: OBSOLETE CIS STREAMLINING PER D.RENAUD/D.SINISI



OBSOLETE

PRETO	POLIAMIDA 6.6	-2
<del>NYLON 6</del>	<del>POLIAMIDA 6.6</del>	<del>626 240-1</del>
COR	MATERIAL	PART NO

UNLESS OTHERWISE SPECIFIED DIMENSIONS ARE IN DECIMALS ± ANGLES ±	CONTRACT NO	AMP DO BRASIL S. Paulo - Brasil	
	DR		
MATERIAL VER TABELA	CHK	NAME	
	APPD	U. ROCHA 20/1/79	
FINISH VER TABELA	APPD	5WAY .250 FASTIN-ON REC. HSG.	
	DRG. RANGE	SIZE	LOC AP.
	INS. RANGE	B	DRAWING NO
			626 240
		SCALE 2/1	SHEET 1 of 1
			C1

CUSTOMER DRAWING

单击下面可查看定价，库存，交付和生命周期等信息

[>>TE Connectivity\(泰科\)](#)