

THIS DRAWING IS UNPUBLISHED.

RELEASED FOR PUBLICATION

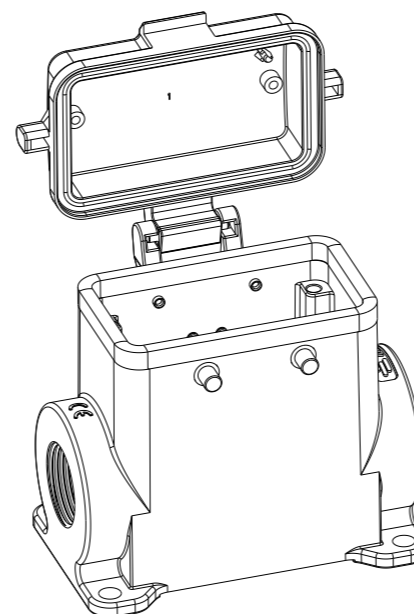
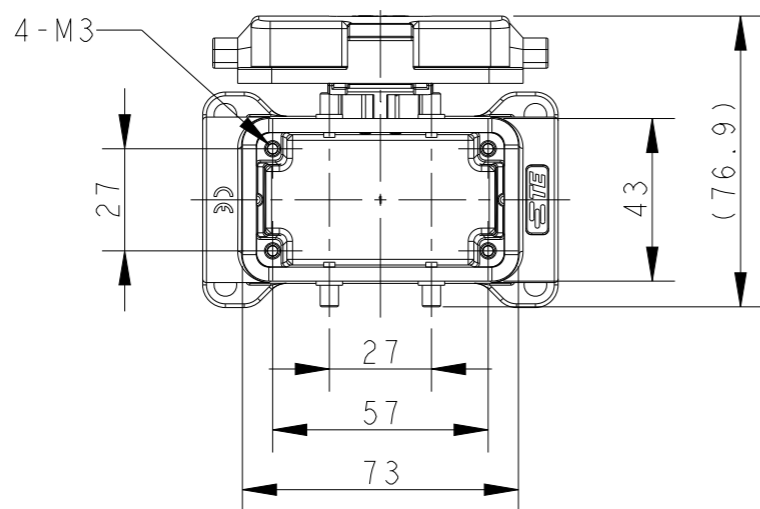
20

© COPYRIGHT 20 BY -

ALL RIGHTS RESERVED.

REVISIONS

P	LTR	DESCRIPTION	DATE	DWN	APVD
	A	INITIAL RELEASE	25JUN2015	DL	CW
	B	ECR-20-008181	13JUL2020	WQR	CW

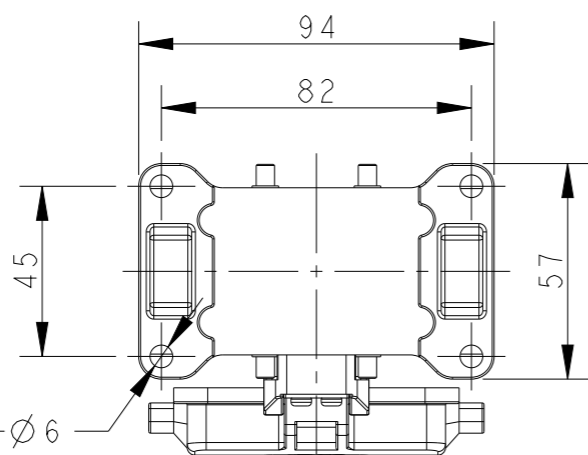
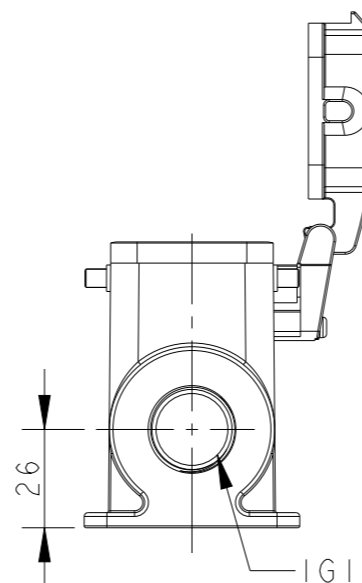
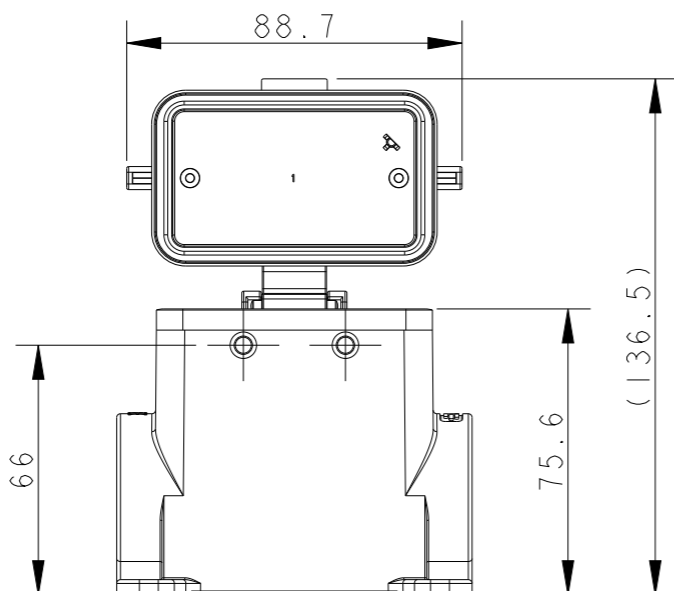
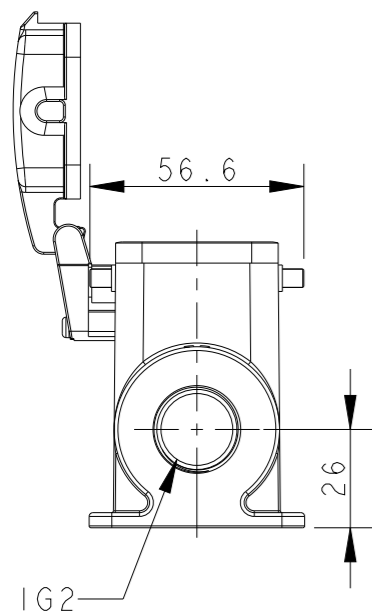


NOTES:

- 1. TECHNICAL CHARACTERISTICS:
 BODY MATERIAL: DIE CAST ALUMINIUM ALLOY
 SURFACE TREATMENT: POWDER-COATED, GRAY
 DEGREE OF PROTECTION: IP65 (MATED)


注释:

- 1. 技术参数:
 主体材料: 铝合金
 表面处理: 粉末喷涂, 灰色
 防护等级: IP65(配合)



TYPE I: HIGH BODY + PLASTIC PROTECTION COVER

TI490100121-000	TYPE I	H10B-SDRH-BO-PG21	PG21	-
TI490100125-000		H10B-SDRH-BO-M25	M25	-
TI490100129-000		H10B-SDRH-BO-PG29	PG29	-
TI490100132-000		H10B-SDRH-BO-M32	M32	-
TI490100221-000		H10B-SDRH-BO-2PG21	PG21	PG21
TI490100229-000		H10B-SDRH-BO-2PG29	PG29	PG29
TI490100232-000		H10B-SDRH-BO-2M32	M32	M32
ASSEMBLY PART NUMBER	TYPE	ASSEMBLY PART DESCRIPTION	IG1	IG2

THIS DRAWING IS A CONTROLLED DOCUMENT.		DWN	DAVID LI	25JUN2015	 TE Connectivity	NAME	H10B-SDRH-BO-PG/M							
DIMENSIONS: mm		CHK	CHRIS WANG	25JUN2015			SIZE	CAGE CODE	DRAWING NO	RESTRICTED TO				
TOLERANCES UNLESS OTHERWISE SPECIFIED:		APVD	XU XIANG	25JUN2015							108-137013	-	C-TI49010XXXX000	-
0 PLC ±- 1 PLC ±- 2 PLC ±- 3 PLC ±- 4 PLC ±- ANGLES ±- FINISH -		PRODUCT SPEC	114-137013	WEIGHT										
MATERIAL		CUSTOMER DRAWING			SCALE	1:2	SHEET	1 OF 2	REV	B				
TBD														

THIS DRAWING IS UNPUBLISHED.

RELEASED FOR PUBLICATION

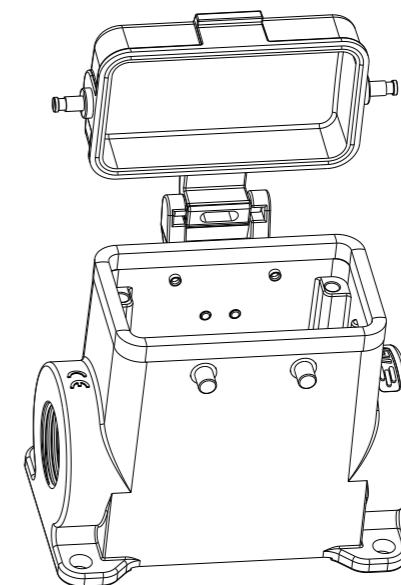
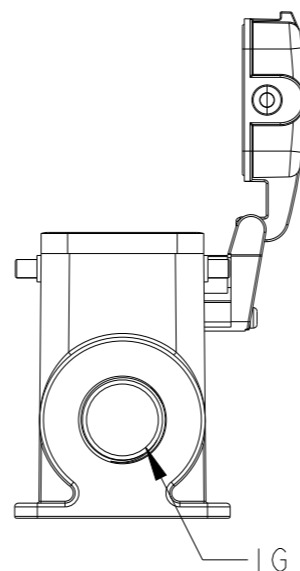
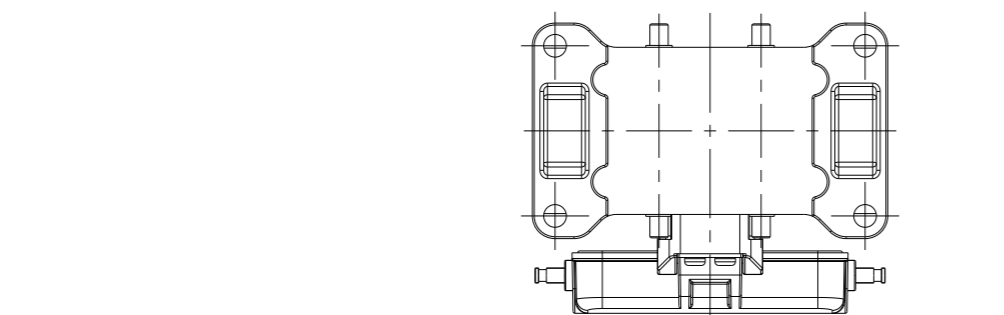
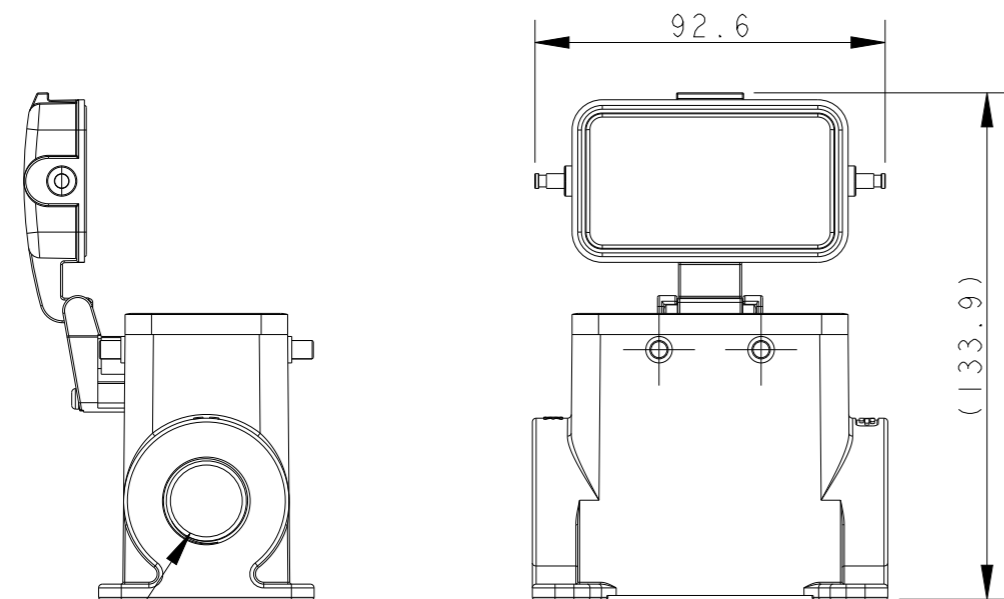
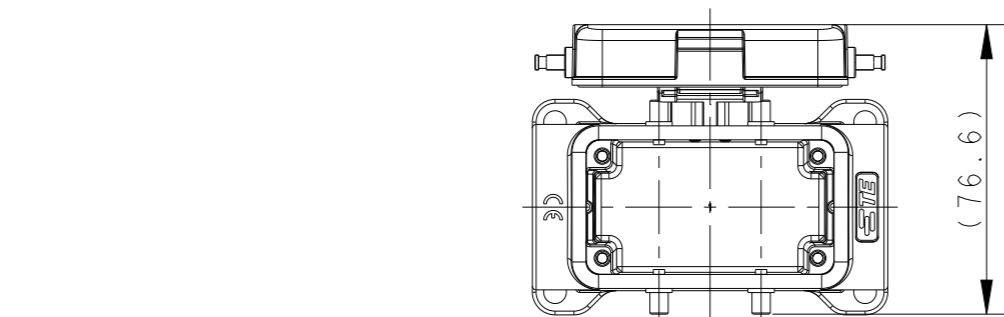
20

© COPYRIGHT 20 BY -

ALL RIGHTS RESERVED.

REVISIONS

P	LTR	DESCRIPTION	DATE	DWN	APVD
	-	SEE SHEET 1	-	-	-



IG2

IG1

TYPE 2: HIGHT BODY + METAL PROTECTION COVER

OTHER SPEC REFER TO TYPE 1

TI490101121-000	TYPE 2	H10B-SDRMH-BO-PG21	PG21	-
TI490101129-000		H10B-SDRMH-BO-PG29	PG29	-
TI490101132-000		H10B-SDRMH-BO-M32	M32	-
TI490101221-000		H10B-SDRMH-BO-2PG21	PG21	PG21
TI490101229-000		H10B-SDRMH-BO-2PG29	PG29	PG29
TI490101232-000		H10B-SDRMH-BO-2M32	M32	M32
ASSEMBLY PART NUMBER	TYPE	ASSEMBLY PART DESCRIPTION	IG1	IG2

THIS DRAWING IS A CONTROLLED DOCUMENT.

DIMENSIONS:	TOLERANCES UNLESS OTHERWISE SPECIFIED:
mm	
	0 PLC ±-
	1 PLC ±-
	2 PLC ±-
	3 PLC ±-
	4 PLC ±-
	ANGLES ±-
MATERIAL	FINISH
TBD	-
-	-

DWN	DAVID LI	25JUN2015
CHK	CHRIS WANG	25JUN2015
APVD	XU XIANG	25JUN2015
PRODUCT SPEC	108-137013	
APPLICATION SPEC	114-137013	
WEIGHT	-	
CUSTOMER DRAWING		

		TE Connectivity		
		NAME H10B-SDRHM-BO-PG/M		
SIZE	CAGE CODE	DRAWING NO	RESTRICTED TO	
A3	-	©-TI49010XXXX000		
SCALE 1:2		SHEET 2 OF 2	REV B	

单击下面可查看定价，库存，交付和生命周期等信息

[>>TE Connectivity\(泰科\)](#)