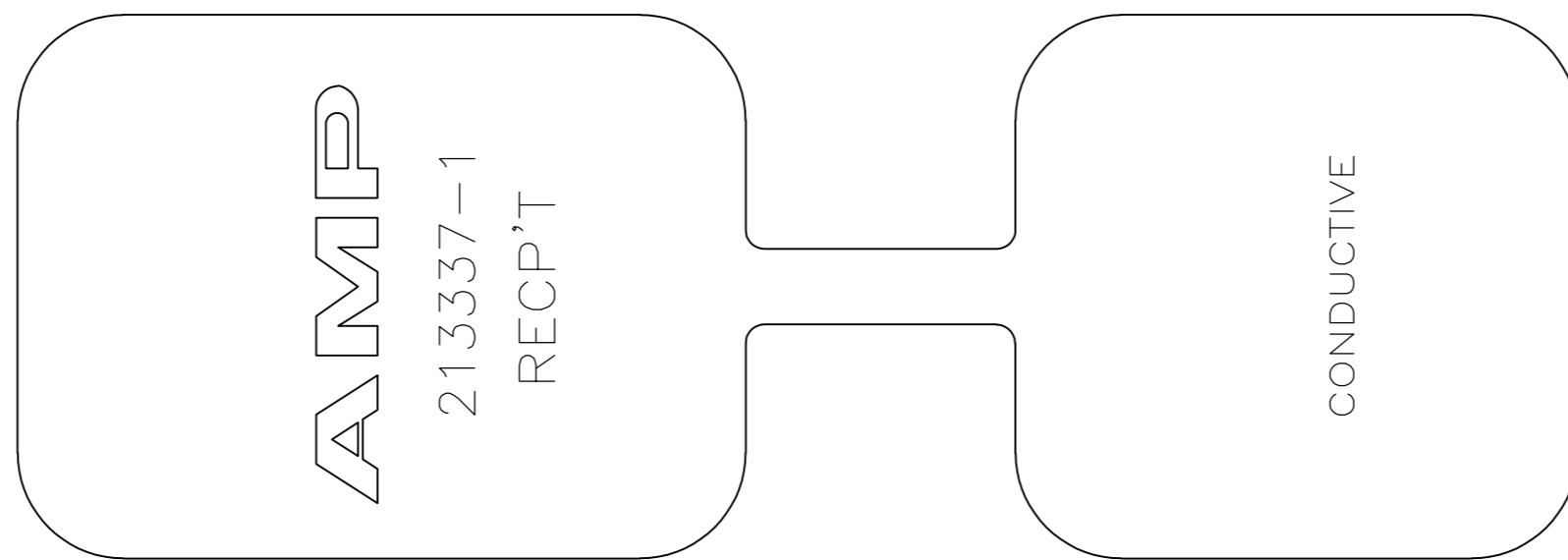
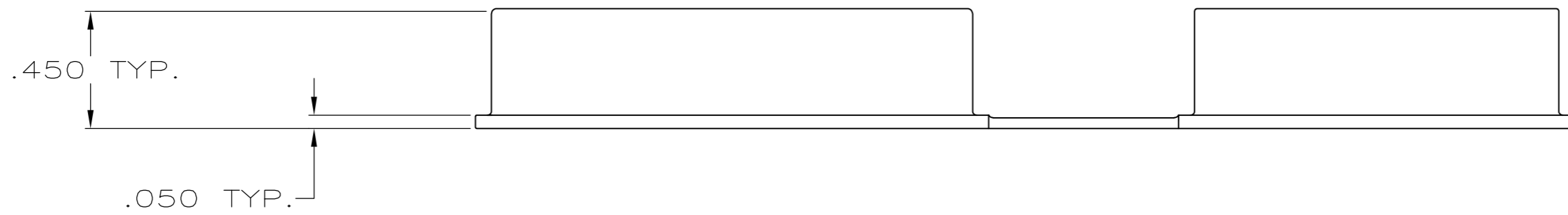
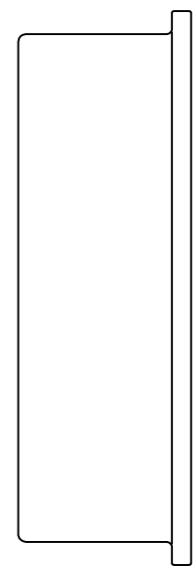
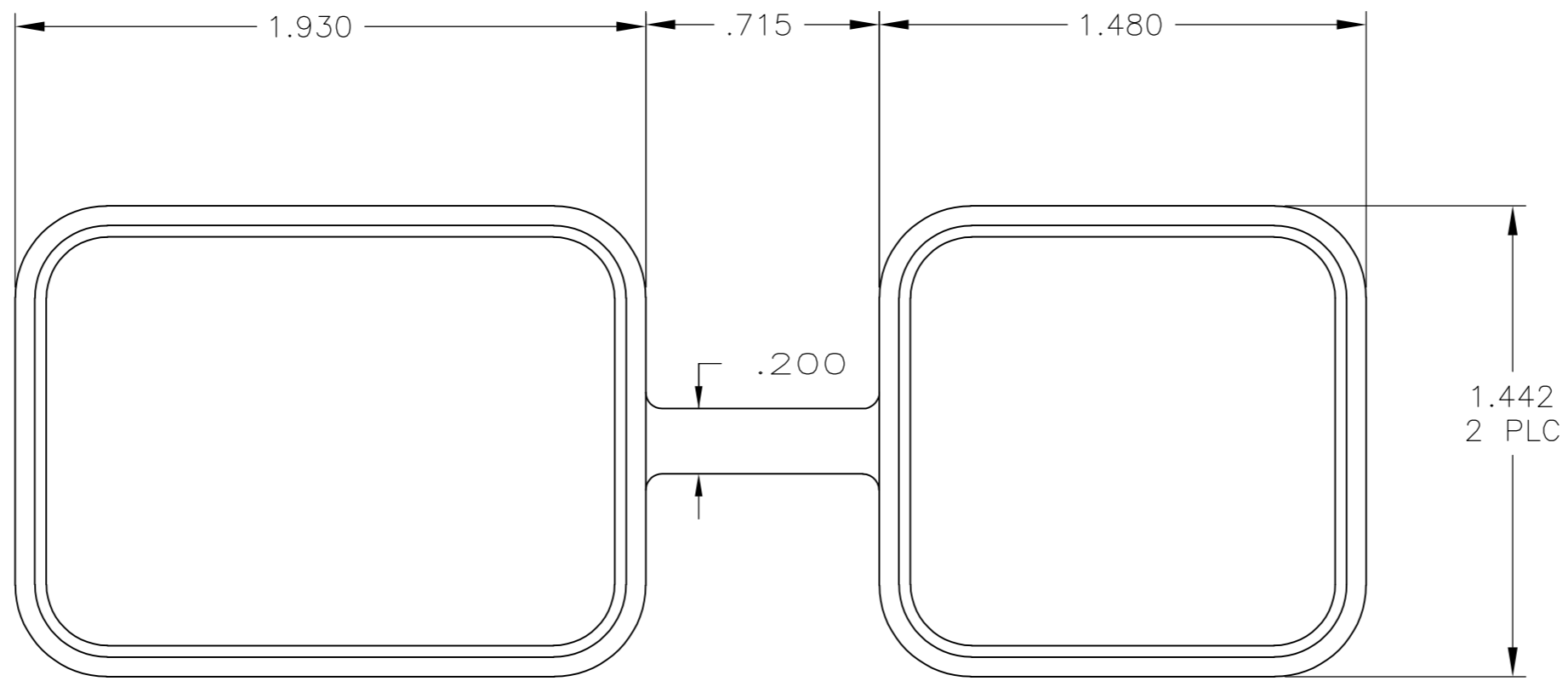


THIS DRAWING IS UNPUBLISHED. RELEASED FOR PUBLICATION
 © COPYRIGHT - By - ALL RIGHTS RESERVED.

LOC		DIST		REVISIONS			
P	LTR	DESCRIPTION	DATE	DWN	APVD		
-	-	A	RELEASED	1-15-14	CT	WB	



213337-1
 PART NUMBER

1. MATERIAL: POLYPROPYLENE, CONDUCTIVE, COLOR: BLACK.

THIS DRAWING IS A CONTROLLED DOCUMENT.		DWN	C.C.THOMAS	1-15-14	 TE Connectivity
DIMENSIONS:		CHK	W.BERNHART	1-15-14	
INCHES		APVD	W.BERNHART	1-15-14	
		PRODUCT SPEC	NAME		
TOLERANCES UNLESS OTHERWISE SPECIFIED: 0 PLC ± - 1 PLC ± - 2 PLC ± - 3 PLC ± .005 4 PLC ± - ANGLES ± -		APPLICATION SPEC		DUST COVER, RECEPTACLE, ARINC 600	
MATERIAL		WEIGHT		SIZE	RESTRICTED TO
-		-		A2 00779	-
FINISH		CUSTOMER DRAWING		DRAWING NO	SCALE
-		-		C=213337	2:1
		SHEET		1 of 1	REV
					A

单击下面可查看定价，库存，交付和生命周期等信息

[>>TE Connectivity\(泰科\)](#)