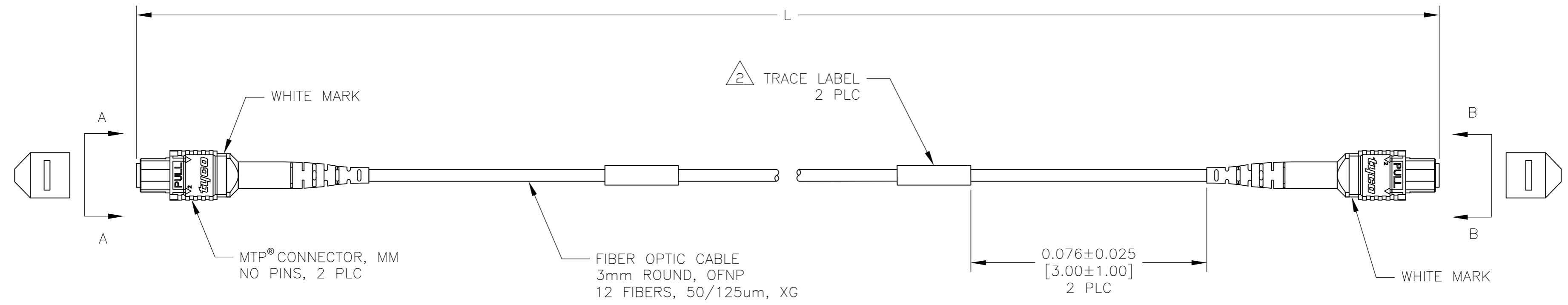
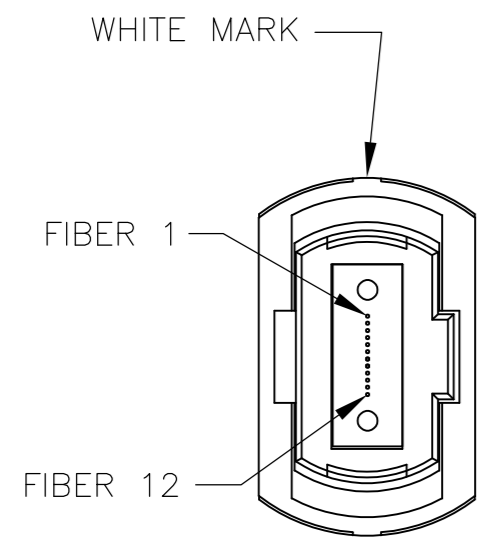


THIS DRAWING IS UNPUBLISHED. RELEASED FOR PUBLICATION
 © COPYRIGHT - By - ALL RIGHTS RESERVED.

LOC		DIST		REVISIONS			
P	LTR	DESCRIPTION	DATE	DWN	APVD		
CE	00	C	ECR-14-008576	24SEP2014	HZ	RZ	



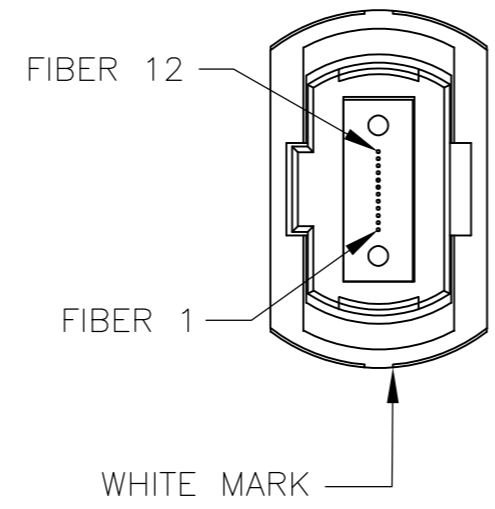
REVERSE FIBER PATH



VIEW A-A
NOT TO SCALE

MTP® LEFT FIBER #		MTP® RIGHT FIBER #
1	↔	12
2	↔	11
3	↔	10
4	↔	9
5	↔	8
6	↔	7
7	↔	6
8	↔	5
9	↔	4
10	↔	3
11	↔	2
12	↔	1

MTP® CONNECTOR FIBER PATH



VIEW B-B
NOT TO SCALE

- NOTES:
- ① MAXIMUM CONNECTOR INSERTION LOSS (850nm): 0.5dB + 3.5dB/km. SEE TABLE.
 - ② STANDARD TRACE LABEL TO BE APPLIED AT BOTH ENDS.
 - 3. PRODUCT AND PROCESSING MUST MEET REQUIREMENTS OF TEC-138-702.

THIS DRAWING IS A CONTROLLED DOCUMENT.		DWN K.GLATFELTER 15JAN2009	TE Connectivity	
DIMENSIONS: METERS [INCHES]		CHK J.BARRY	NAME	
TOLERANCES UNLESS OTHERWISE SPECIFIED: 0 PLC ± - 1 PLC ± - 2 PLC ± - 3 PLC ± - 4 PLC ± - ANGLES ± ± - FINISH -		APVD J.BARRY	CABLE ASSEMBLY, FIBER OPTIC, 50/125um, XG 3mm ROUND CABLE, OFNP, MTP®W/NO PINS, REVERSED PATH	
MATERIAL		PRODUCT SPEC	SIZE A2	CAGE CODE 00779
		APPLICATION SPEC	DRAWING NO C=1938324	RESTRICTED TO
		WEIGHT	SCALE NTS SHEET 1 OF 2 REV C	
		CUSTOMER DRAWING		

1938324

THIS DRAWING IS UNPUBLISHED. RELEASED FOR PUBLICATION
 © COPYRIGHT - By - ALL RIGHTS RESERVED.

LOC	DIST	REVISIONS			
P	LTR	DESCRIPTION	DATE	DWN	APVD
-	-	SEE SHEET 1	-	-	-

MAX IL (dB)	L METERS [INCHES]	PART NUMBER
1.55	300.000±3.000 [11811.02±118.11]	9-1938324-8
0.68	50.000±0.500 [1968.5±19.69]	5-1938324-0
0.64	40.000±0.400 [1574.80±15.75]	4-1938324-0
0.64	39.000±0.390 [1535.43±15.35]	3-1938324-9
0.63	38.000±0.380 [1496.06±14.96]	3-1938324-8
0.63	37.000±0.370 [1456.69±14.57]	3-1938324-7
0.63	36.000±0.360 [1417.32±14.17]	3-1938324-6
0.62	35.000±0.350 [1377.95±13.78]	3-1938324-5
0.62	34.000±0.340 [1338.58±13.39]	3-1938324-4
0.62	33.000±0.330 [1299.21±12.99]	3-1938324-3
0.61	32.000±0.320 [1259.84±12.60]	3-1938324-2
0.61	31.000±0.310 [1220.47±12.20]	3-1938324-1
0.61	30.000±0.300 [1181.10±11.81]	3-1938324-0
0.60	29.000±0.290 [1141.73±11.42]	2-1938324-9
0.60	28.000±0.280 [1102.36±11.02]	2-1938324-8
0.59	27.000±0.270 [1062.99±10.63]	2-1938324-7
0.59	26.000±0.260 [1023.62±10.24]	2-1938324-6
0.59	25.000±0.250 [984.25±9.84]	2-1938324-5
0.58	24.000±0.240 [944.88±9.45]	2-1938324-4
0.58	23.000±0.230 [905.51±9.06]	2-1938324-3
0.58	22.000±0.220 [866.14±8.66]	2-1938324-2
0.57	21.000±0.210 [826.77±8.27]	2-1938324-1
0.57	20.000±0.200 [787.40±7.87]	2-1938324-0
0.57	19.000±0.190 [748.03±7.48]	1-1938324-9
0.56	18.000±0.180 [708.66±7.09]	1-1938324-8
0.56	17.000±0.170 [669.29±6.69]	1-1938324-7
0.56	16.000±0.160 [629.92±6.30]	1-1938324-6
0.55	15.000±0.150 [590.55±5.91]	1-1938324-5
0.55	14.000±0.150 [551.18±5.91]	1-1938324-4
0.55	13.000±0.150 [511.81±5.91]	1-1938324-3
0.54	12.000±0.150 [472.44±5.91]	1-1938324-2
0.54	11.000±0.150 [433.07±5.91]	1-1938324-1
0.54	10.000±0.150 [393.70±5.91]	1-1938324-0
0.53	9.000±0.150 [354.33±5.91]	1938324-9
0.53	8.000±0.080 [314.96±3.15]	1938324-8
0.52	7.000±0.080 [275.59±3.15]	1938324-7
0.52	6.000±0.080 [236.22±3.15]	1938324-6
0.52	5.000±0.080 [196.85±3.15]	1938324-5
0.51	4.000±0.080 [157.48±3.15]	1938324-4
0.51	3.000±0.050 [118.11±1.97]	1938324-3
0.51	2.000±0.050 [78.74±1.97]	1938324-2
0.50	1.000±0.050 [39.37±1.97]	1938324-1

MAX IL (dB) L METERS [INCHES] PART NUMBER

THIS DRAWING IS A CONTROLLED DOCUMENT.		DWN K.GLATFELTER 15JAN2009	STE TE Connectivity	
DIMENSIONS: METERS [INCHES]		CHK J.BARRY		
TOLERANCES UNLESS OTHERWISE SPECIFIED:		APVD J.BARRY	NAME CABLE ASSEMBLY, FIBER OPTIC, 50/125um, XG 3mm ROUND CABLE, OFNP, MTP®W/NO PINS, REVERSED PATH	
0 PLC ± - 1 PLC ± - 2 PLC ± - 3 PLC ± - 4 PLC ± - ANGLES ± -		PRODUCT SPEC -	APPLICATION SPEC -	
MATERIAL	FINISH	WEIGHT	SIZE A2	CAGE CODE 00779
-	-	-	DRAWING NO C=1938324	RESTRICTED TO -
CUSTOMER DRAWING			SCALE NTS	SHEET 2 OF 2
			REV C	

单击下面可查看定价，库存，交付和生命周期等信息

[>>TE Connectivity\(泰科\)](#)