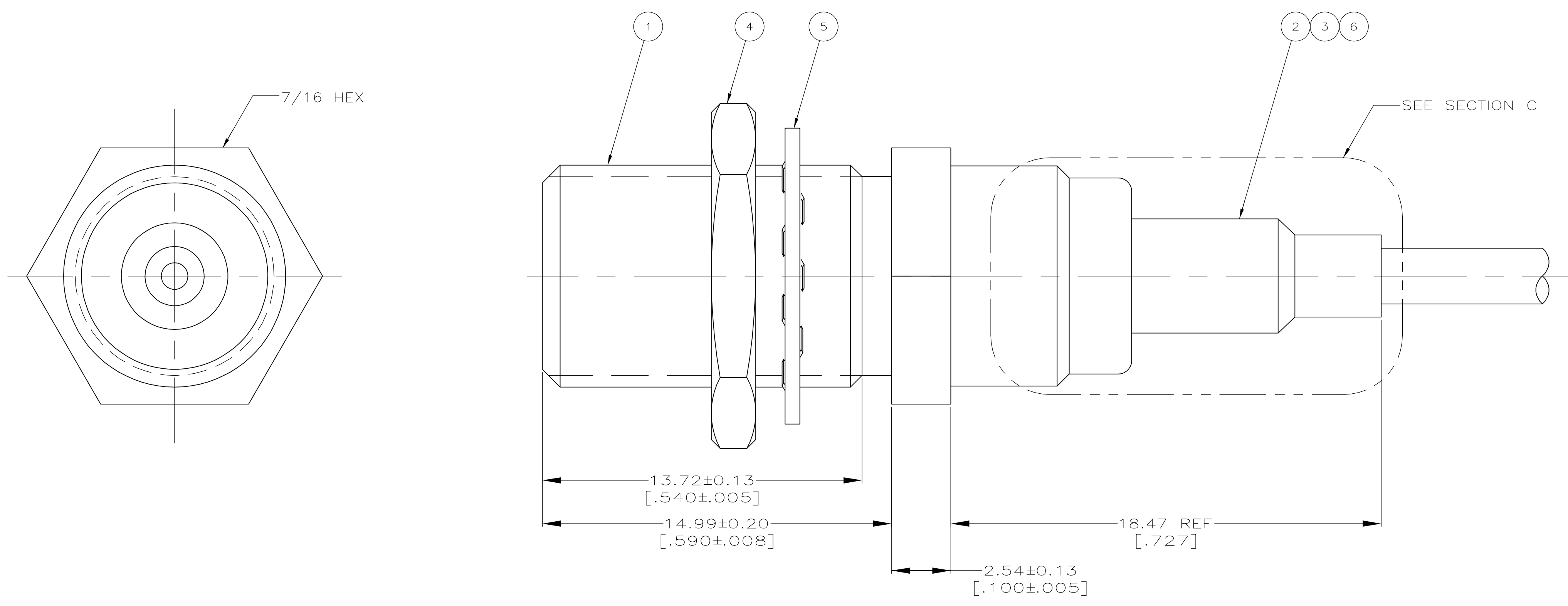


RECOMMENDED STRIP LENGTHS



- 1. PARTS PACKAGED UNASSEMBLED
- ⚠ USE WITH HAND TOOL 354940-1
- ⚠ RG-179/U CABLE

VIEW A	⚠	220210-1	⚠	227194-1	1-329492-1	1-330249-1	9-328666-0	9-887011-0	887007-1	5415712-1
STRIP LENGTHS	FOR USE WITH CABLE	DIE SET	Ⓜ	TUBING QTY=1	Ⓜ LOCKWASHER QTY=1	Ⓜ JAM NUT QTY=1	Ⓜ FERRULE QTY=1	Ⓜ CONTACT QTY=1	Ⓜ JACK ASSY QTY=1	PART NUMBER

THIS DRAWING IS A CONTROLLED DOCUMENT		DWN L. VARELA - DOCKS 31JAN2005		Tyco Electronics Corporation Harrisburg, Pa 17105-3608	
DIMENSIONS: mm [INCHES]		CHK J. HAVENER 31JAN2005		NAME JACK, BULKHEAD, REAR MT, F SERIES	
TOLERANCES UNLESS OTHERWISE SPECIFIED:		APVD K. WEIDNER 31JAN2005	RESTRICTED TO		
0 PLC ± -		SIZE CAGE CODE DRAWING NO			
1 PLC ± -		A1 00779C=5415712			
2 PLC ± 0.25 [.010]		WEIGHT -			
3 PLC ± -		CUSTOMER DRAWING			
4 PLC ± -		SCALE 8:1 SHEET 1 of 1 REV 0			
ANGLES ± -					
FINISH -					

单击下面可查看定价，库存，交付和生命周期等信息

[>>TE Connectivity\(泰科\)](#)