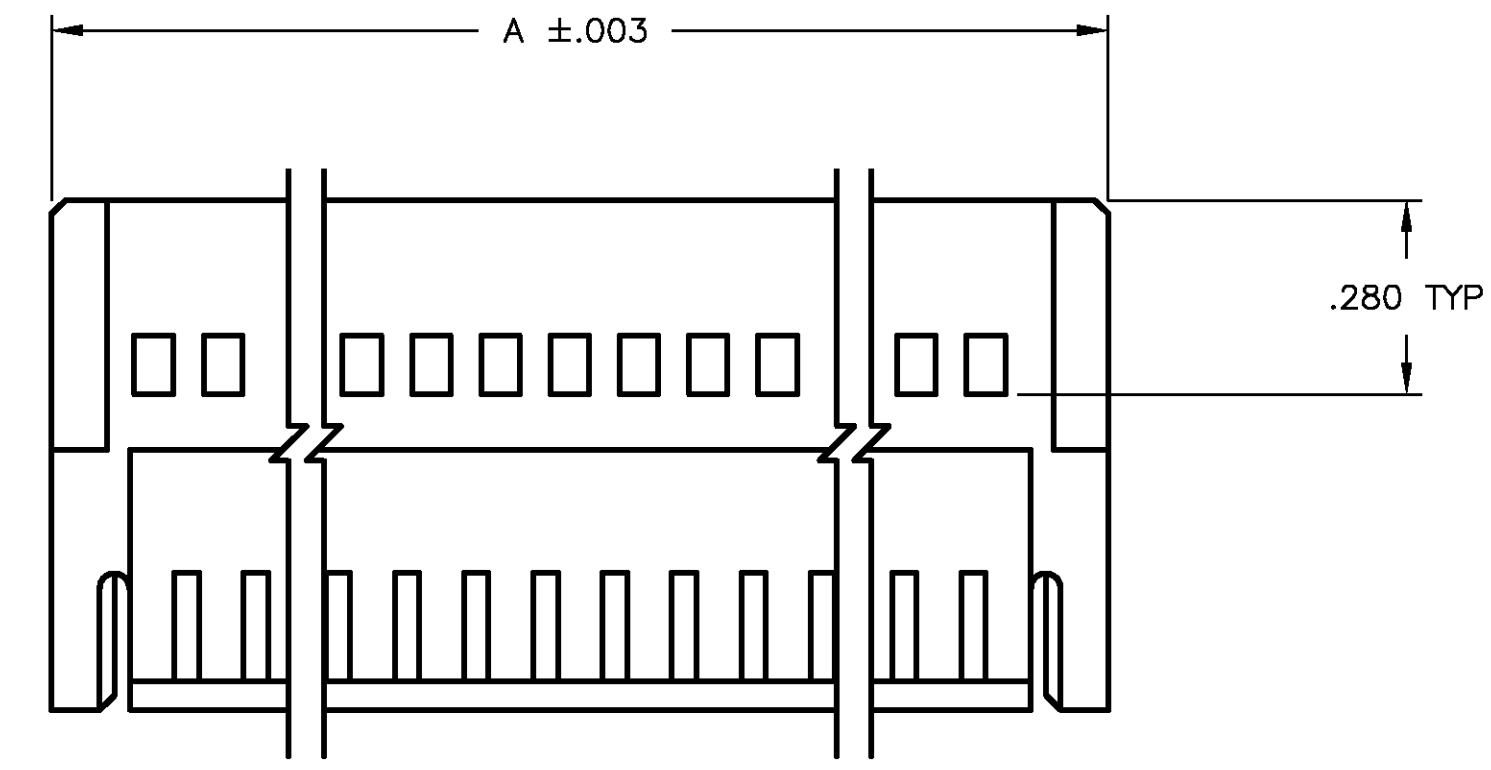
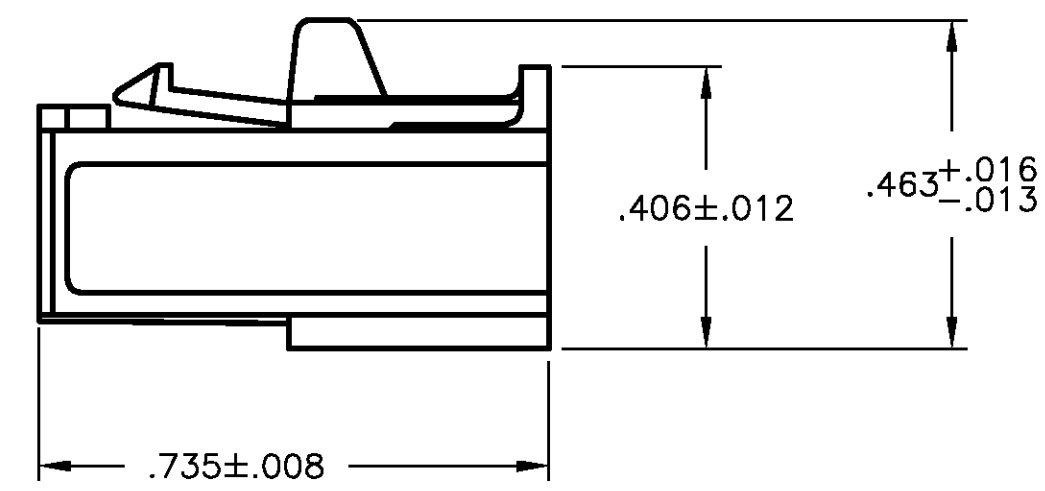
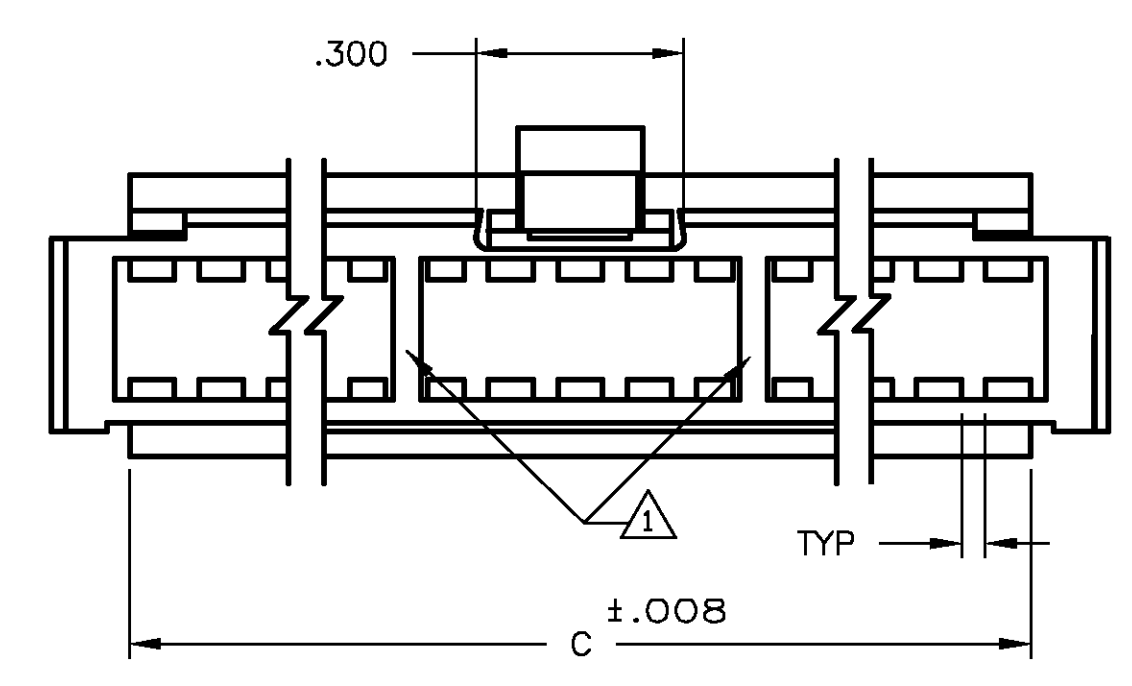
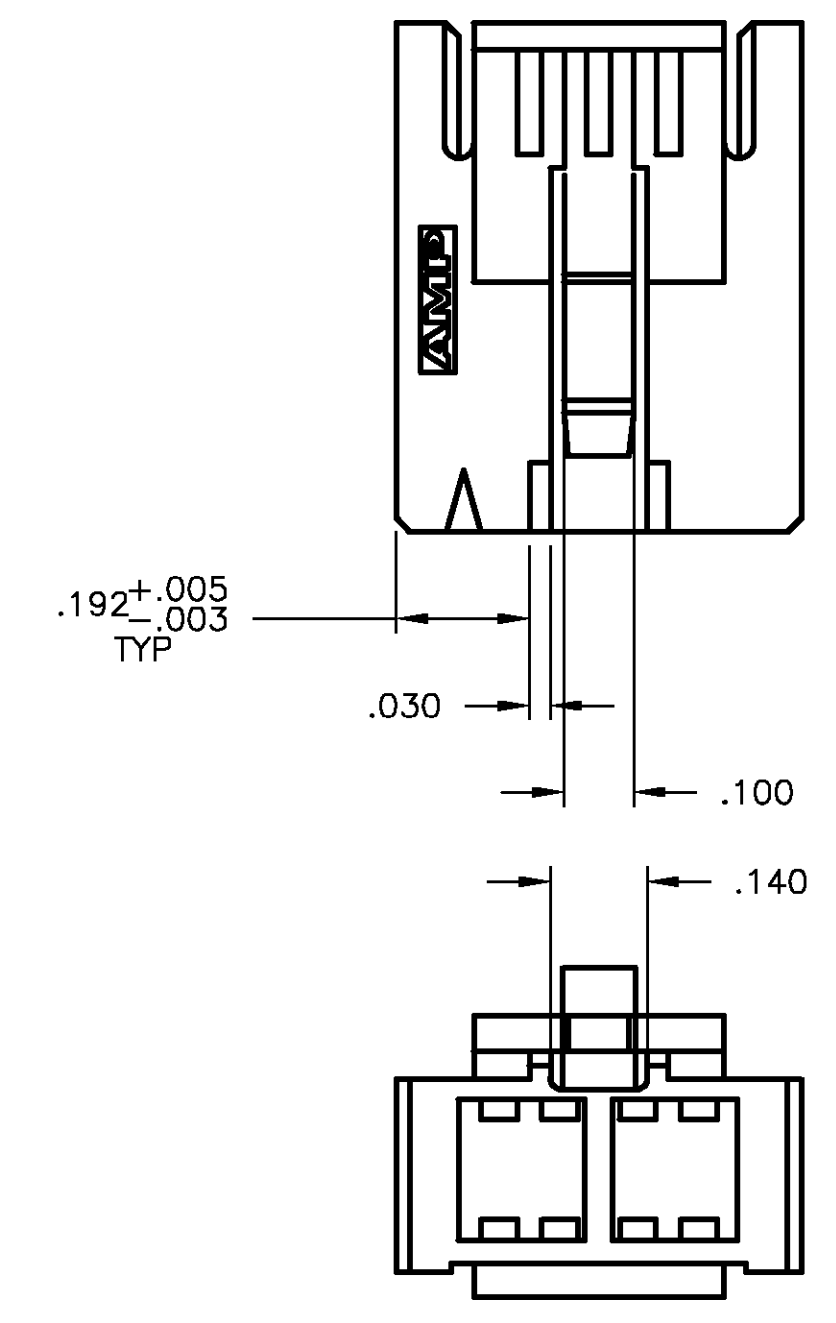
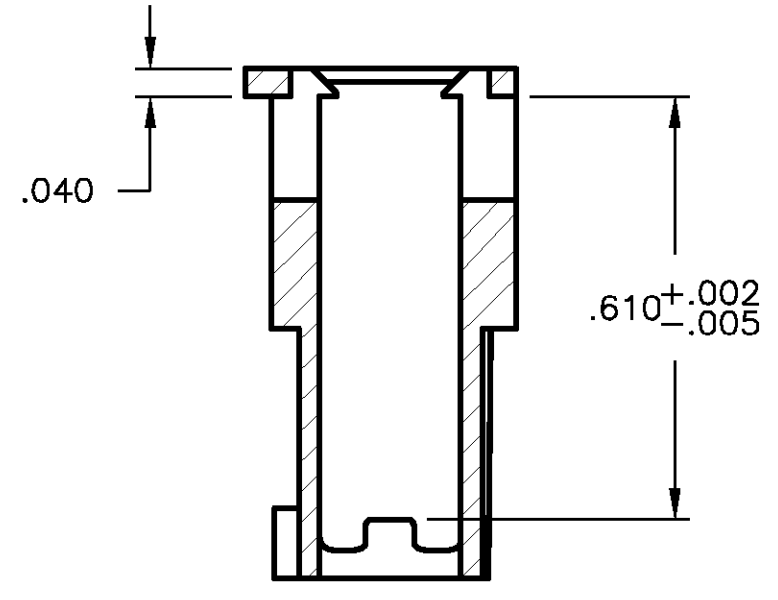
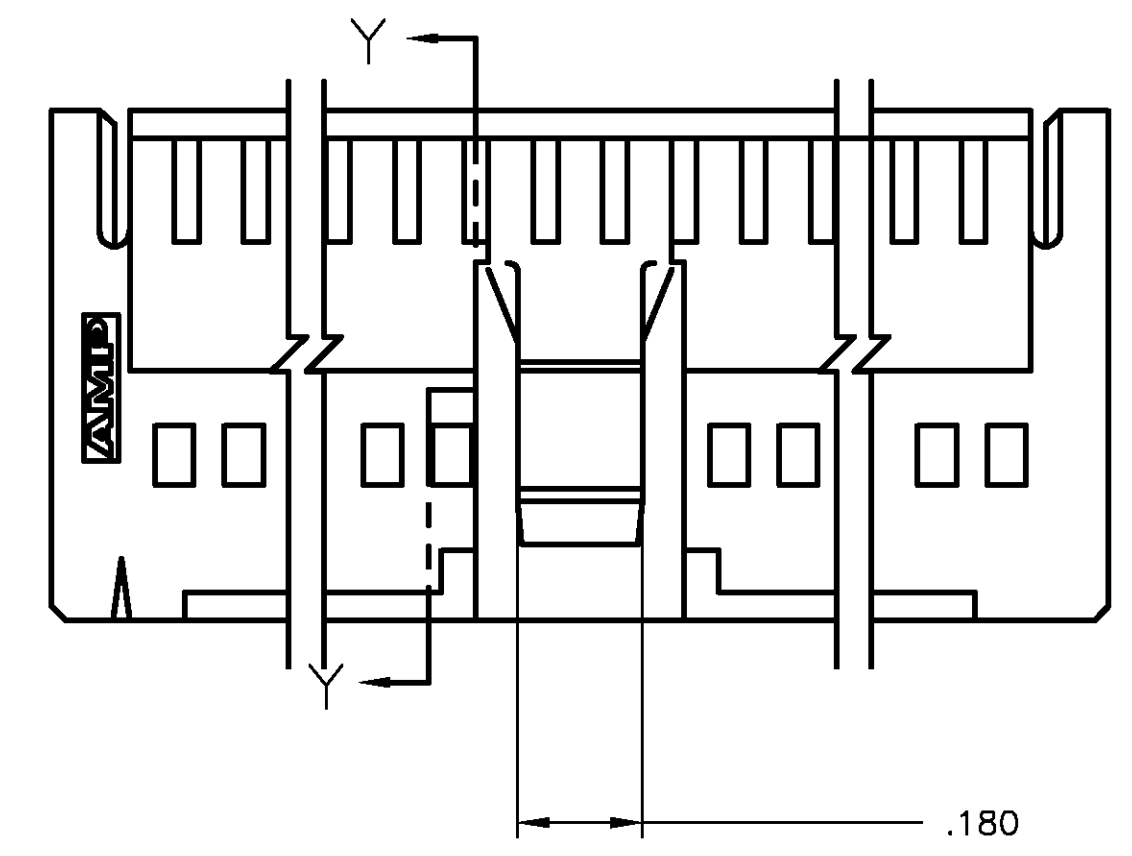


LOC		DIST		REVISIONS			
P	LR	DATE	DM	APP			
M	REV PER	OG3C-0373-02	11OCT02	RB	JG		



- 1 SEE TABLE FOR RIB QTY
- 2 THIS COUPLING SHROUD IS TO BE USED WITH AMPMODU MTE® RECEPTACLE ASSEMBLIES WITH GUIDE RIBS. THE NUMBER OF POSITIONS LISTED EQUALS THE TOTAL NUMBER OF POSITIONS WHICH CAN BE CONTAINED WITHIN THE COUPLING SHROUD.
- 3 FLAME RETARDANT THERMOPLASTIC, COLOR-BLACK.
- 4 PRELIMINARY PART - NOT RELEASED FOR PRODUCTION.

QTY	C	A	NO OF POSN	PART NUMBER
1			6	1-103681-7
2			50	1-103681-6
2			40	1-103681-5
2			34	1-103681-4
2			32	1-103681-3
2			30	1-103681-2
2			28	1-103681-1
2			26	1-103681-0
2			24	103681-9
2			22	103681-8
2			20	103681-7
2			18	103681-6
1			16	103681-5
1			14	103681-4
1			12	103681-3
1			10	103681-2
1			8	103681-1

THIS DRAWING IS A CONTROLLED DOCUMENT. DWN H. MOLI 10-7-87
 CHK P. de JONG 10-7-87
 AMP Tyco Electronics Corporation Harrisburg, PA 17105

DIMENSIONS: INCHES. TOLERANCES UNLESS OTHERWISE SPECIFIED:
 0 PLG ± -
 1 PLG ± -
 2 PLG ± -
 3 PLG ± .005
 4 PLG ± -
 ANGLES ± -

PRODUCT SPEC: 108-25034
 APPLICATION SPEC: 114-25026

MATERIAL: 3 FINISH: -

SCALE: 4:1 SHEET 1 OF 1 REV M

CUSTOMER DRAWING

单击下面可查看定价，库存，交付和生命周期等信息

[>>TE Connectivity\(泰科\)](#)