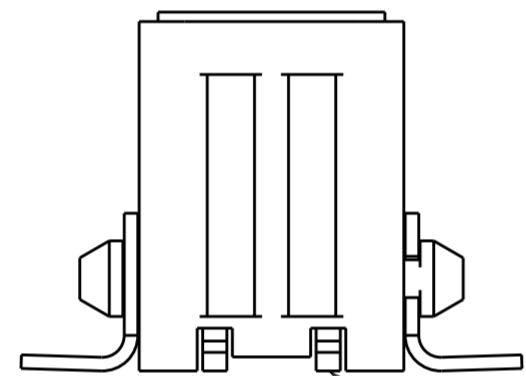
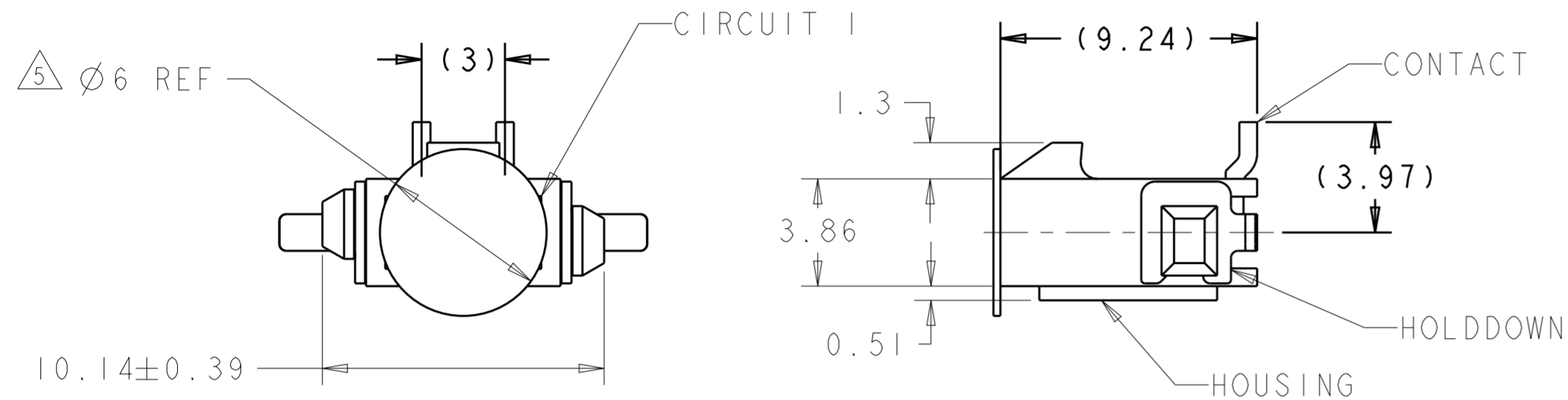
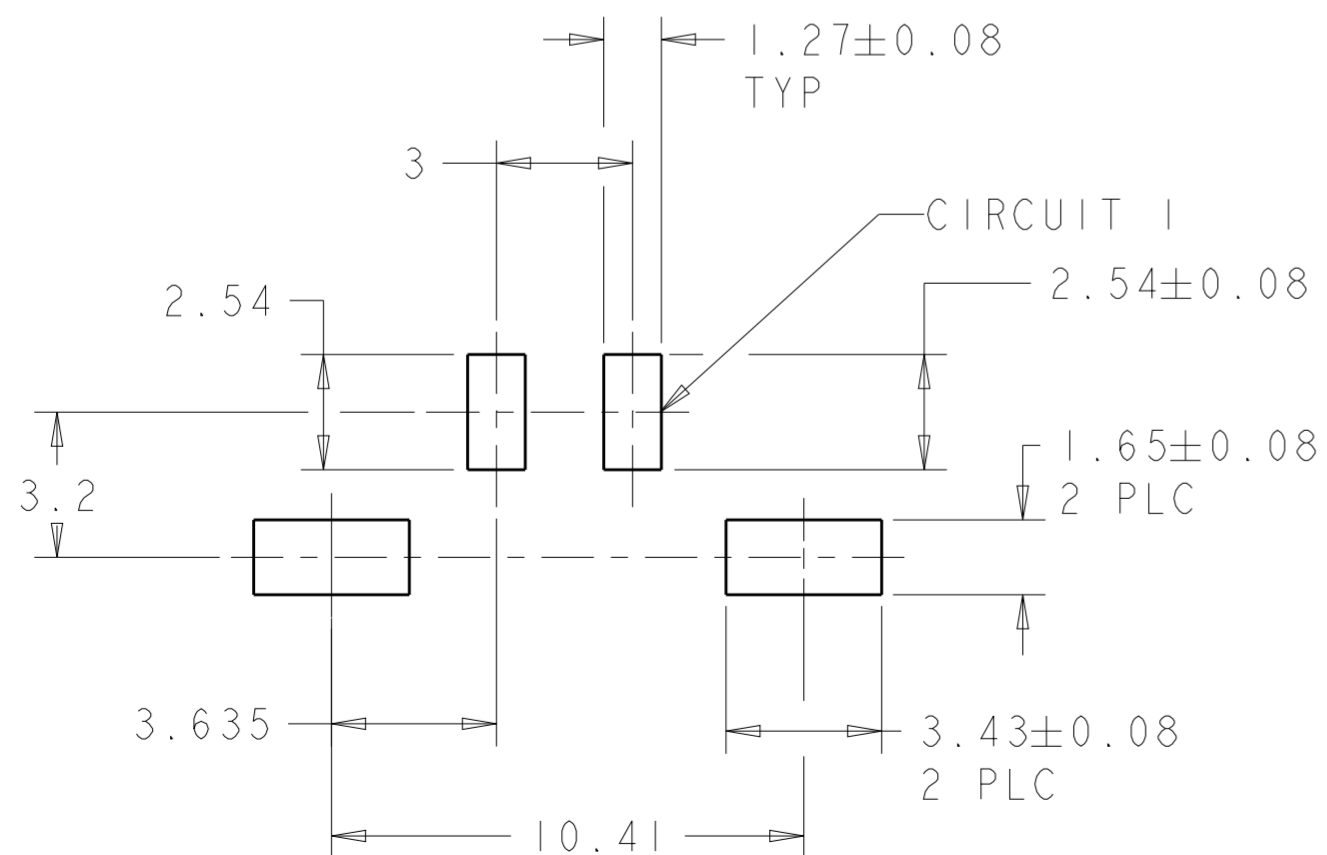


| REVISIONS | | | | | |
|-----------|-----|---------------------------|-----------|-----|------|
| P | LTR | DESCRIPTION | DATE | DWN | APVD |
| B | | REVISED PER ECO-08-009599 | 16JUL2008 | HMR | CJ |
| BI | | ECO-19-006934 | 10MAY2019 | AP | WS |



0.15
INCLUDES CONTACT TAILS,
HOUSING STANDOFFS, AND
BOARDLOCKS



PCB LAYOUT COMPONENT SIDE $\triangle 4$

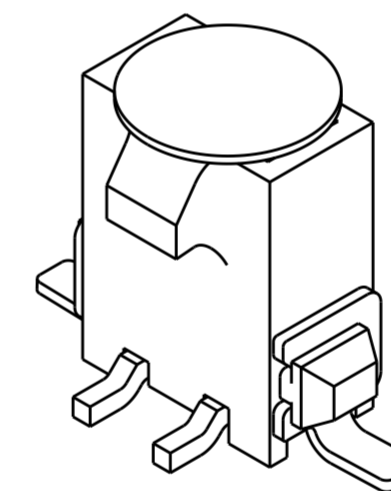
$\triangle 1$ MATERIAL: CONTACTS - BRASS
HOUSING - UL 94V-0 RATED HIGH TEMP NYLON, COLOR BLACK.
HOLDDOWNS: - PHOSPHOR BRONZE.

$\triangle 2$ PLATING: CONTACTS - 0.76 μ m MINIMUM GOLD ON MATING END,
2.54 μ m MINIMUM TIN ON SOLDER TAILS, BOTH OVER
1.27 μ m MINIMUM NICKEL.
HOLDDOWNS: 2.54 μ m MINIMUM TIN OVER 1.27 μ m MINIMUM
NICKEL.

$\triangle 4$ RECOMMENDED PC BOARD THICKNESS OF 1.57.

$\triangle 5$ KAPTON VACUUM PICK UP BUTTON.

$\triangle 6$ SPECIAL PACKAGING FOR IEC 286-3 REQUIREMENT. PARTS ORIENTED
180° DIFFERENT IN TAPE THAN STANDARD PART NUMBER 1445096.



| | | |
|---------------|-------------|-------------|
| $\triangle 2$ | 2 | 2029032-2 |
| PLATING | NO. OF POSN | PART NUMBER |

| | | | | |
|--|--|-----------------------------------|---|--|
| THIS DRAWING IS A CONTROLLED DOCUMENT. | | DWN K. WHITAKER 15 JAN 2008 | TE Connectivity | |
| DIMENSIONS: mm | | CHK C. JONES 15 JAN 2008 | | |
| TOLERANCES UNLESS OTHERWISE SPECIFIED: | | APVD C. JONES 15 JAN 2008 | NAME VERTICAL SURFACE MOUNT HEADER ASSY, 30 MIC GOLD CONTACTS, SURF MOUNT HOLDDOWNS, SGL ROW, MICRO MATE-N-LOK | |
| 0 PLC \pm | | PRODUCT SPEC | SIZE CAGE CODE DRAWING NO RESTRICTED TO | |
| 1 PLC \pm | | 108-1836 | A200779 C-2029032 - | |
| 2 PLC ± 0.13 | | APPLICATION SPEC | SCALE 6:1 SHEET 1 OF 1 REV BI | |
| 3 PLC \pm | | 114-13000 | | |
| 4 PLC \pm | | WEIGHT - | | |
| ANGLES \pm | | CUSTOMER DRAWING | | |
| FINISH SEE TABLE | | | | |

单击下面可查看定价，库存，交付和生命周期等信息

[>>TE Connectivity\(泰科\)](#)