

| REVISIONS | | | | | |
|-----------|-----|-----------------------|--------|-----|------|
| P. | LTN | DESCRIPTION | DATE | DMN | APVD |
| J | | REV PER ECO 20-008596 | 1-8-21 | CT | DM |

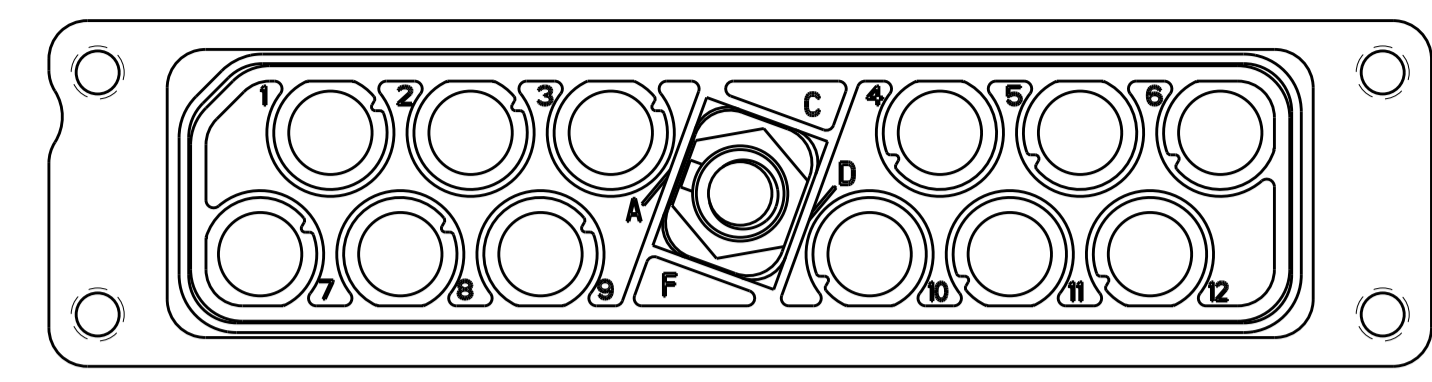


FIGURE 1
1604799-9 SHOWN
KEYED IN "A" POSITION

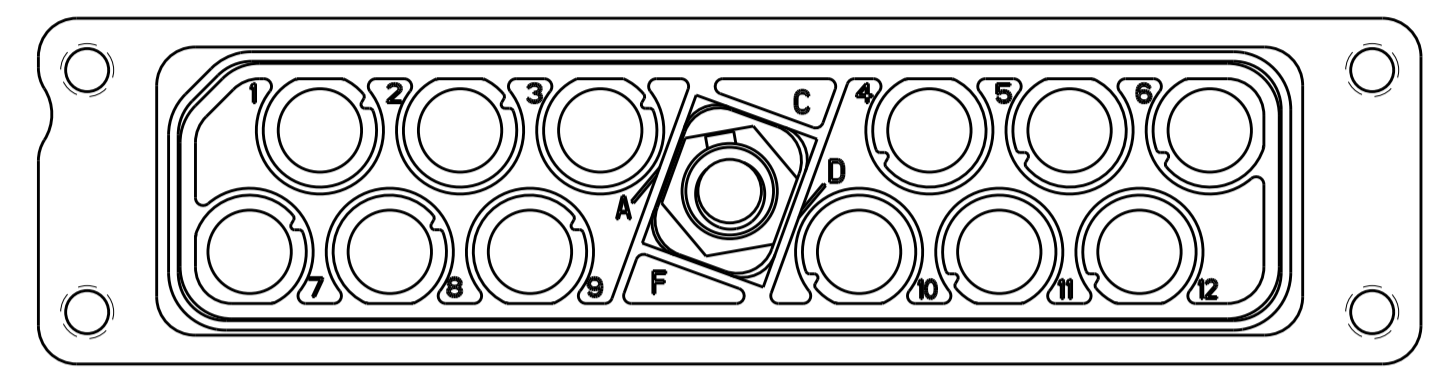


FIGURE 2
1-1604799-0 SHOWN
KEYED IN "B" POSITION

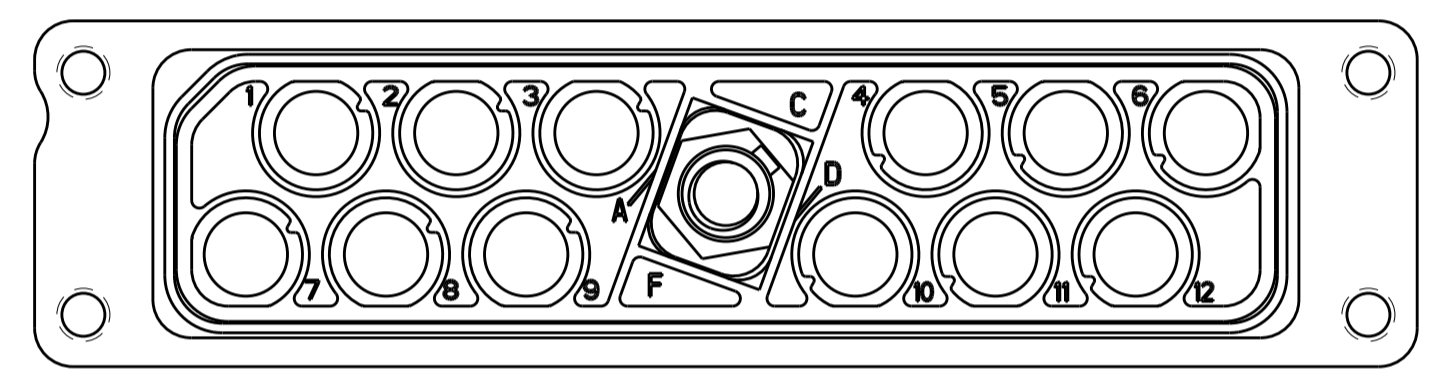


FIGURE 3
1-1604799-1 SHOWN
KEYED IN "C" POSITION

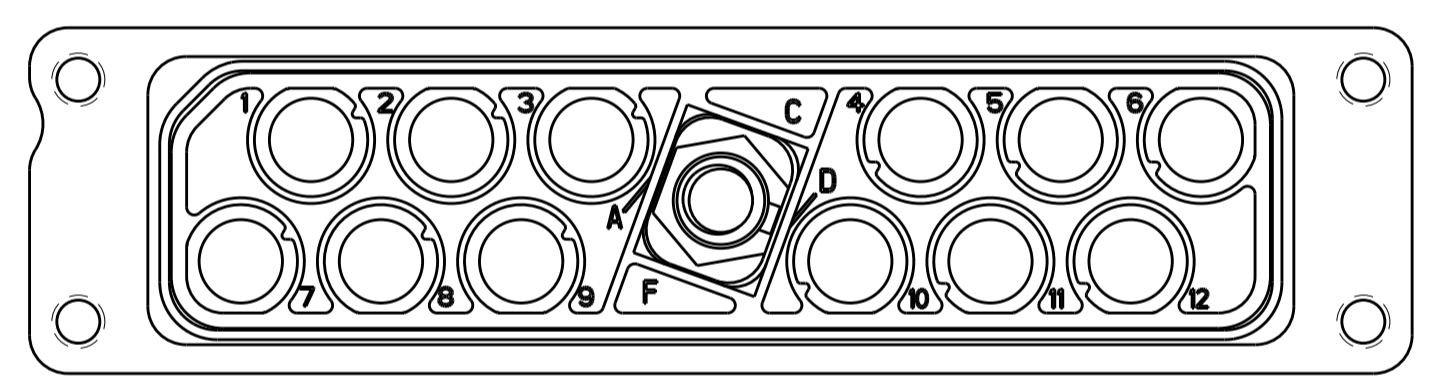


FIGURE 4
1-1604799-2 SHOWN
KEYED IN "D" POSITION

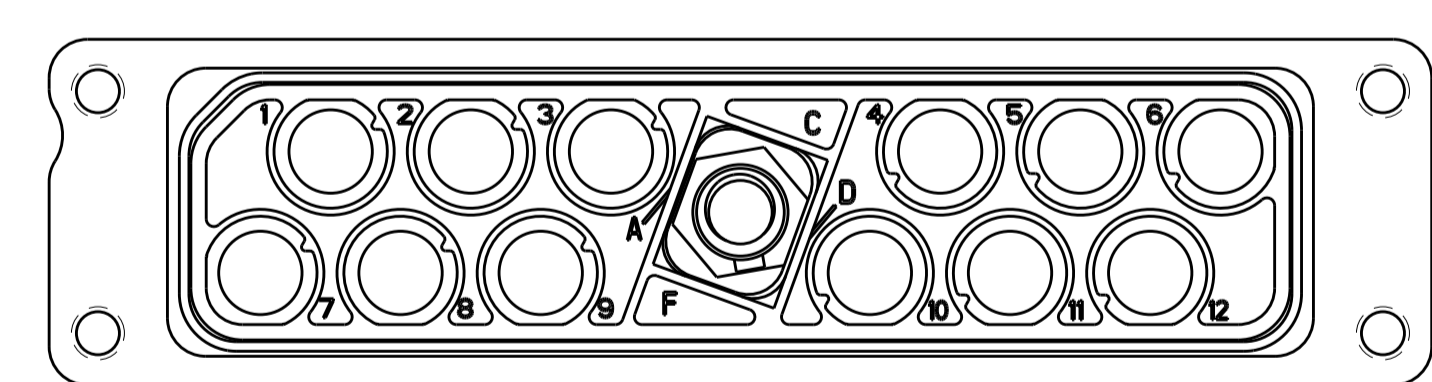


FIGURE 5
1-1604799-3 SHOWN
KEYED IN "E" POSITION

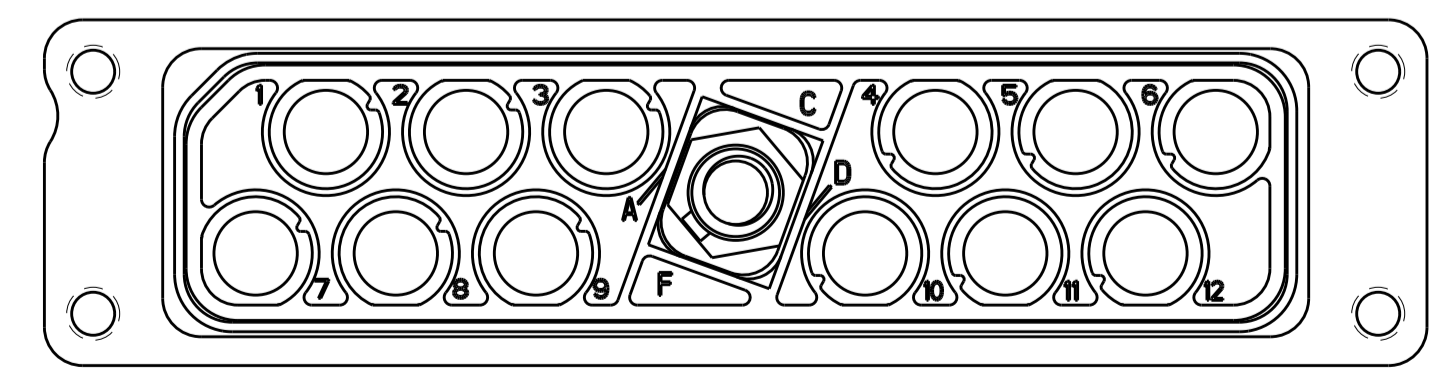


FIGURE 6
1-1604799-4 SHOWN
KEYED IN "F" POSITION

- ⚠ TE LOGO, DATE CODE AND TE OR CUSTOMER PART NUMBER (SEE TABLE) MARKED APPROX AS SHOWN ON EITHER SIDE.
- ⚠ JACKPOST KIT IS SHIPPED UNASSEMBLED. KIT IS PACKAGED IN A SEALED BAG.

SUPERSEDED BY 1604799-5

OBSOLETE

| REMARKS | HOUSING FINISH | RECOMMENDED CONTACT WITH WIRE SEAL (NOT INCLUDED) | CUSTOMER PART NUMBER | DESCRIPTION | TE PART NO |
|--------------|--------------------|---------------------------------------------------|----------------------|-------------------------------------------------------|-------------|
| SEE FIGURE 6 | ELECTROLESS NICKEL | 1445692-4 | BACC65BD12NF | JACKPOST ASSEMBLED POLARIZATION CODE "F" | 1-1604799-4 |
| SEE FIGURE 5 | ELECTROLESS NICKEL | 1445692-4 | BACC65BD12NE | JACKPOST ASSEMBLED POLARIZATION CODE "E" | 1-1604799-3 |
| SEE FIGURE 4 | ELECTROLESS NICKEL | 1445692-4 | BACC65BD12ND | JACKPOST ASSEMBLED POLARIZATION CODE "D" | 1-1604799-2 |
| SEE FIGURE 3 | ELECTROLESS NICKEL | 1445692-4 | BACC65BD12NC | JACKPOST ASSEMBLED POLARIZATION CODE "C" | 1-1604799-1 |
| SEE FIGURE 2 | ELECTROLESS NICKEL | 1445692-4 | BACC65BD12NB | JACKPOST ASSEMBLED POLARIZATION CODE "B" | 1-1604799-0 |
| SEE FIGURE 1 | ELECTROLESS NICKEL | 1445692-4 | BACC65BD12NA | JACKPOST ASSEMBLED POLARIZATION CODE "A" | 1604799-9 |
| ⚠ | ELECTROLESS NICKEL | 1445692-4 | BACC65BD12N | WITH JACKPOST KIT (FLAT POLARIZATION) (NOT INSTALLED) | 1604799-8 |
| ⚠ | ELECTROLESS NICKEL | 1445692-3 | --- | WITH JACKPOST KIT (FLAT POLARIZATION) (NOT INSTALLED) | 1604799-7 |
| ⚠ | ELECTROLESS NICKEL | 1445692-3 | --- | WITH JACKPOST KIT (FLAT POLARIZATION) (NOT INSTALLED) | 1604799-5 |
| ⚠ | BLACK ANODIZED | 1445692-4 | BACC65BD12A | WITH JACKPOST KIT (FLAT POLARIZATION) (NOT INSTALLED) | 1604799-4 |

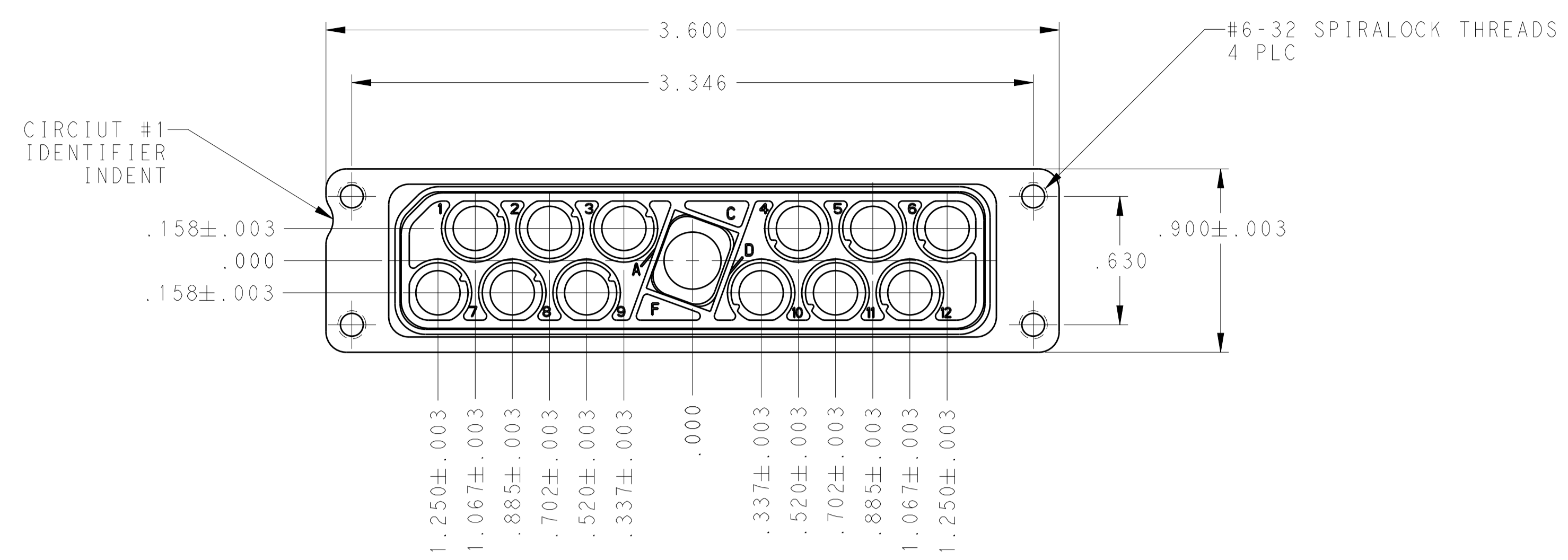
THIS DRAWING IS A CONTROLLED DOCUMENT. DIMENSIONS: INCHES. TOLERANCES UNLESS OTHERWISE SPECIFIED: 0 PLC ±. 1 PLC ±. 2 PLC ±. 3 PLC ±. 4 PLC ±. ANGLES ±. FINISH SEE CALLOUTS. MATERIAL SEE CALLOUTS.

DMN: C.C. THOMAS 29NOV2010. CHK: D. MILLER 29NOV2010. APVD: D. MILLER 29NOV2010.

TE TE Connectivity

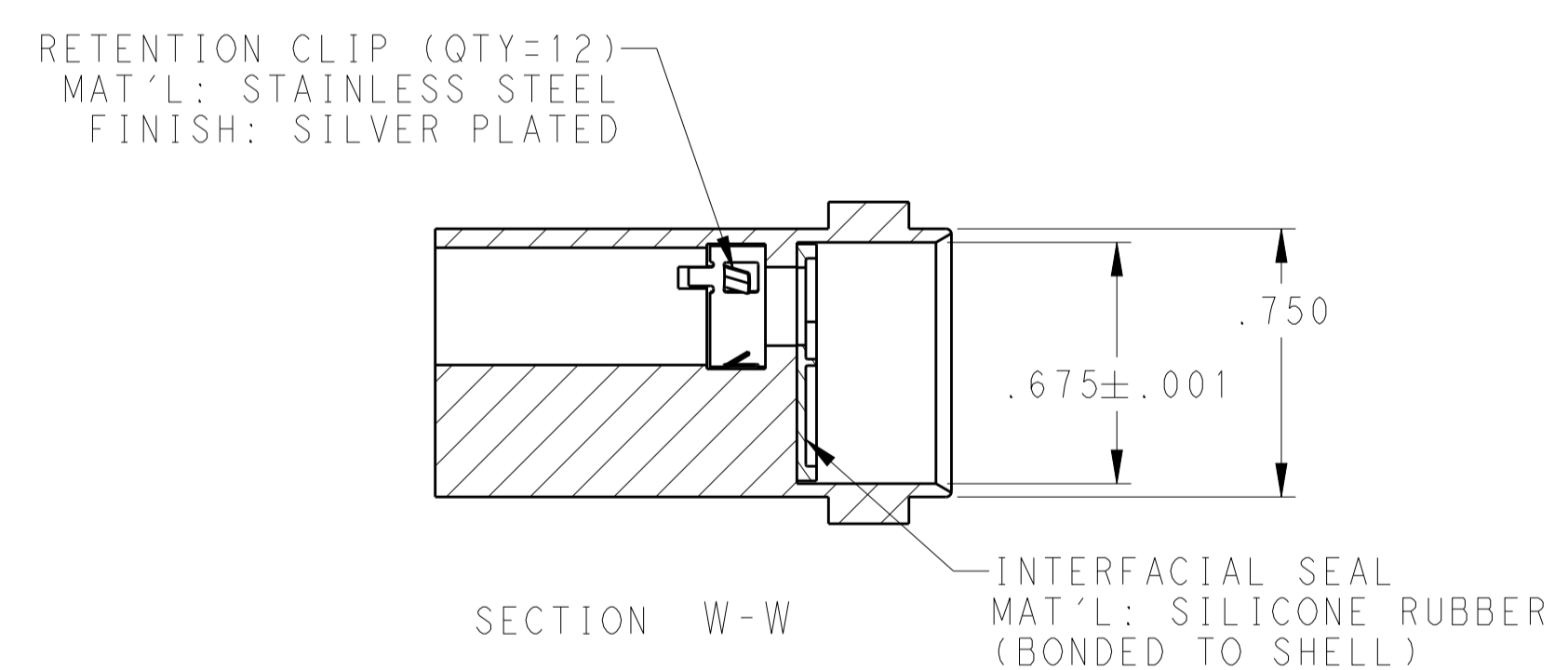
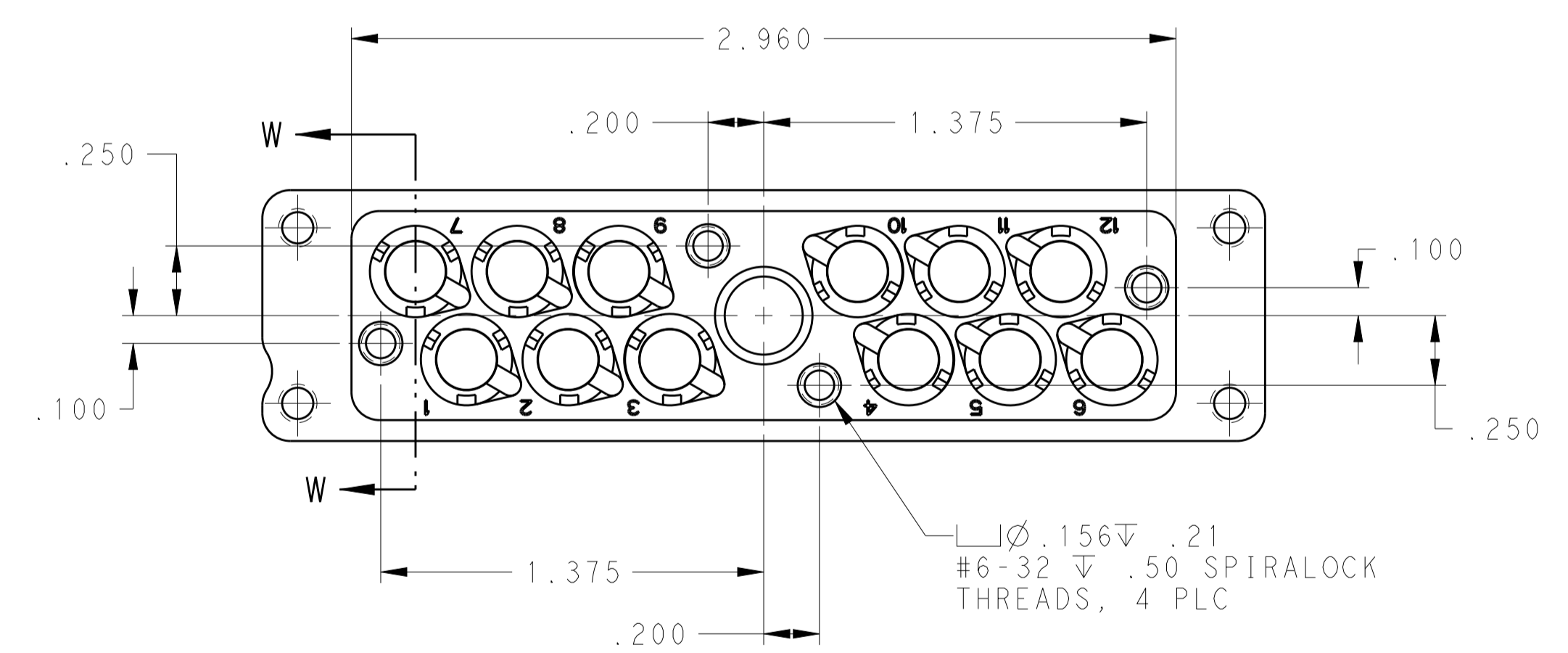
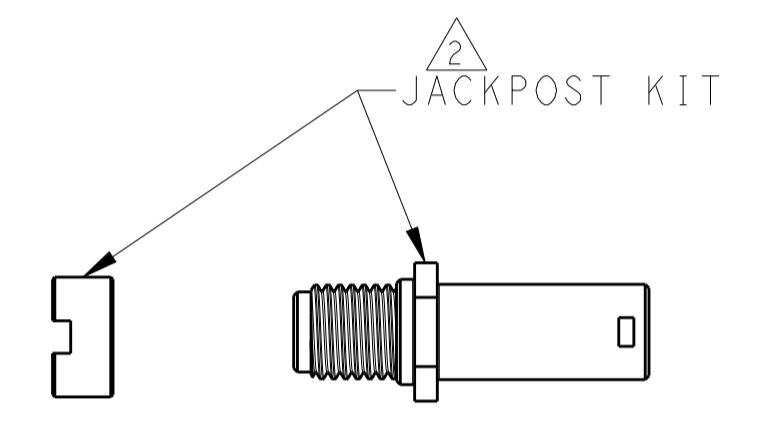
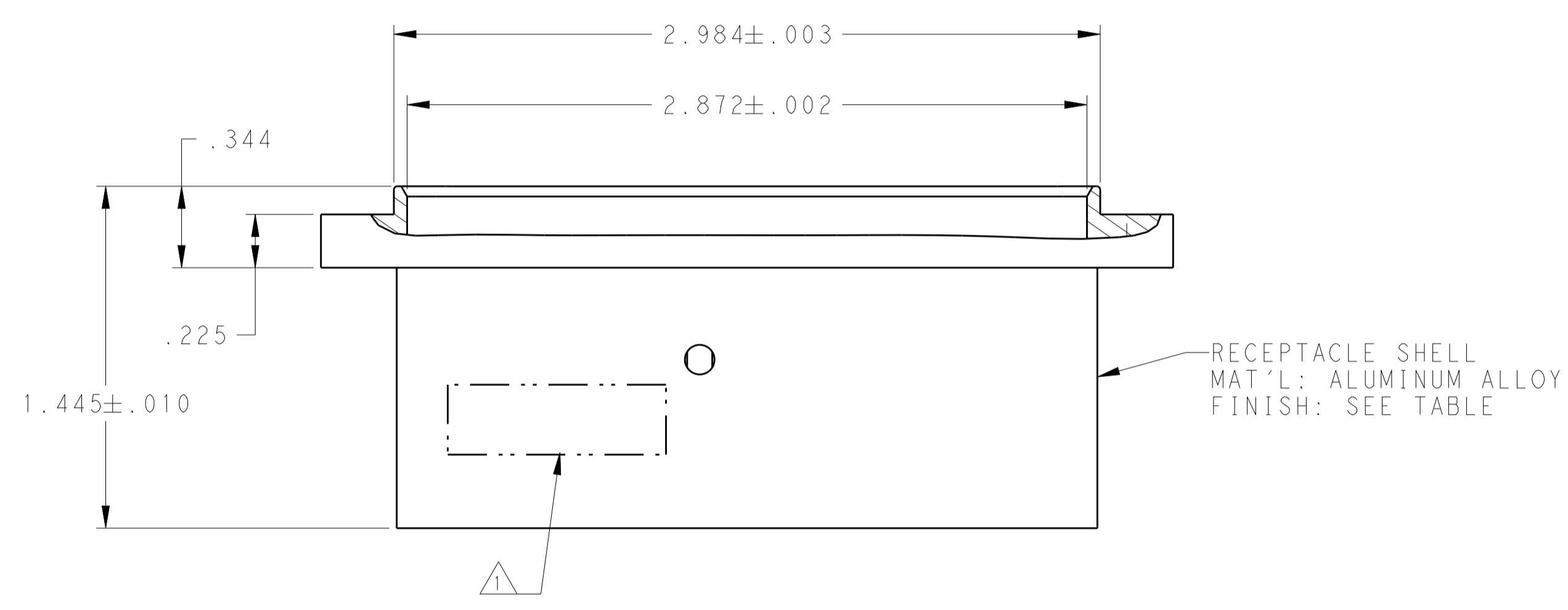
NAME: RECEPTACLE ASSY, QUADRAX, PANEL MOUNT RR/RR, 12 POSITION. SIZE: A. CAGE CODE: 100779. DRAWING NO: 1604799. WEIGHT: -. RESTRICTED TO: J.

| REVISIONS | | | | |
|-----------|------|--------------|------|-------|
| P. | LTN. | DESCRIPTION | DATE | APVD. |
| - | - | SEE SHEET #1 | - | - |
| | | | | |
| | | | | |



**RCPT
 1604996-X
 CONDUCTIVE**

DUST COVER
 (INSTALLED FOR SHIPPING)



| | | | |
|----------------------------------------|----------------------|----------------------------|----------------------------------------------------------------|
| THIS DRAWING IS A CONTROLLED DOCUMENT. | | DWN: C.C. THOMAS 29NOV2010 | TE Connectivity |
| DIMENSIONS: INCHES | | CHK: D. MILLER 29NOV2010 | |
| TOLERANCES UNLESS OTHERWISE SPECIFIED: | | APVD: D. MILLER 29NOV2010 | NAME: RECEPTACLE ASSY, QUADRAX, PANEL MOUNT RR/RR, 12 POSITION |
| 0 PLC ± | 1 PLC ± | PRODUCT SPEC | SIZE: CAGE CODE DRAWING NO |
| 2 PLC ± | 3 PLC ± | APPLICATION SPEC | RESTRICTED TO |
| 4 PLC ±.005 | ANGLES ± | WEIGHT | A100779C=1604799 |
| MATERIAL: SEE CALLOUTS | FINISH: SEE CALLOUTS | CUSTOMER DRAWING | SCALE: 2:1 SHEET 2 OF 2 REV J |

单击下面可查看定价，库存，交付和生命周期等信息

[>>TE Connectivity\(泰科\)](#)