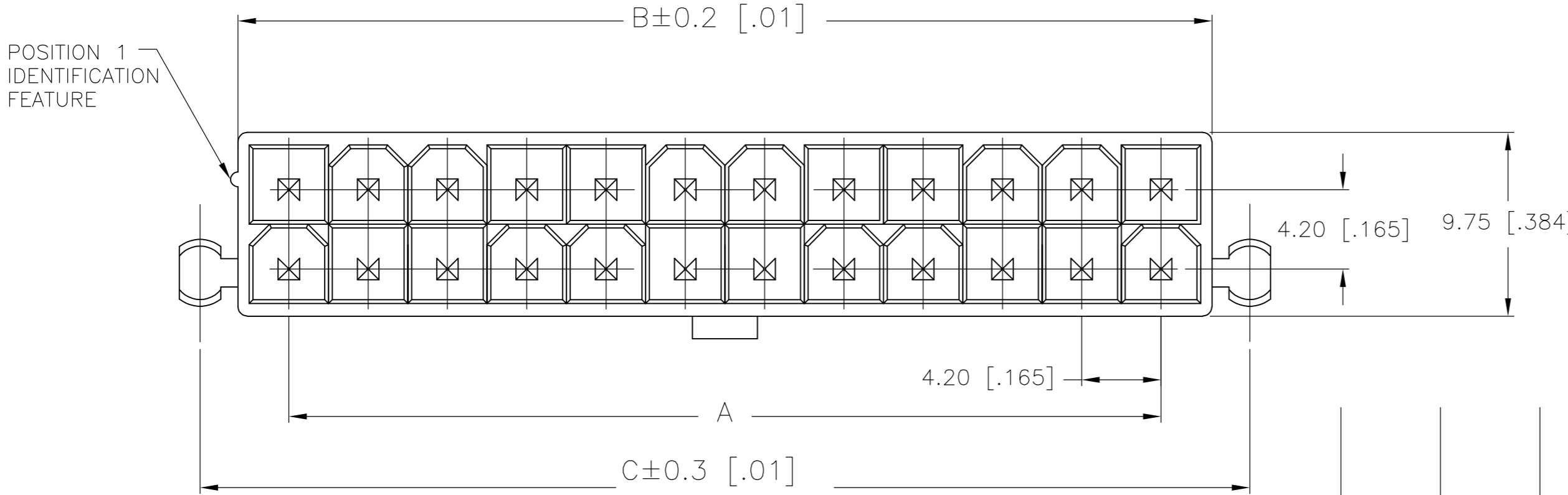
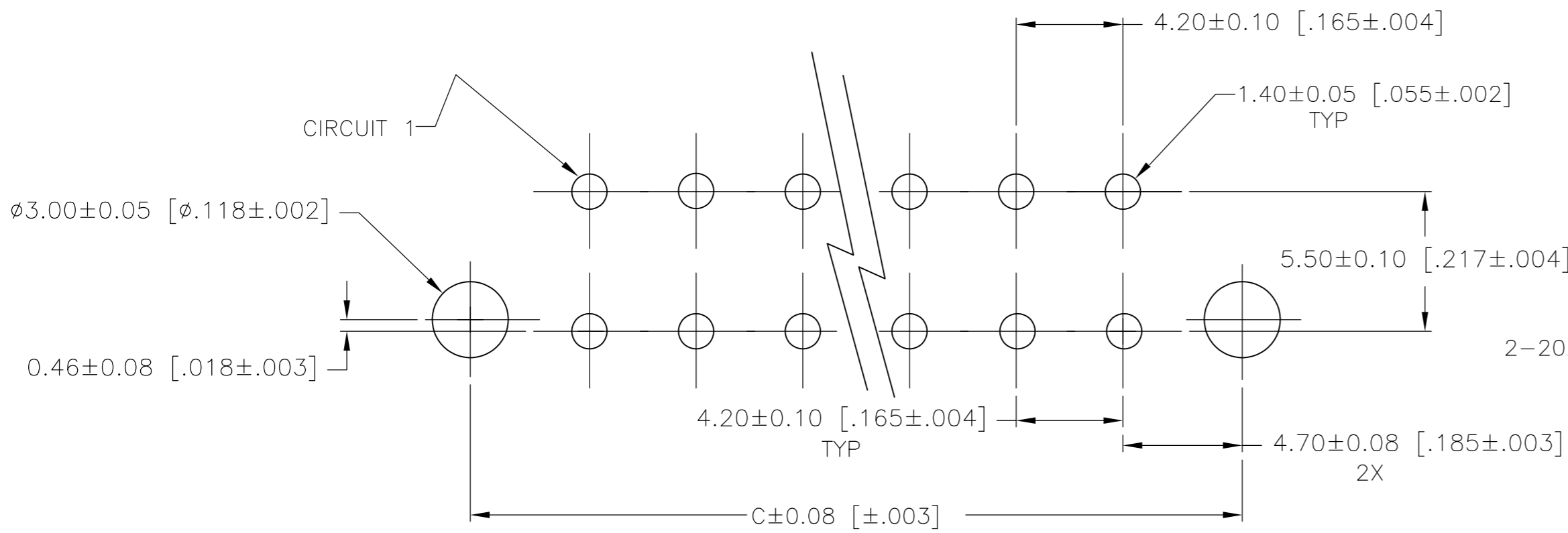
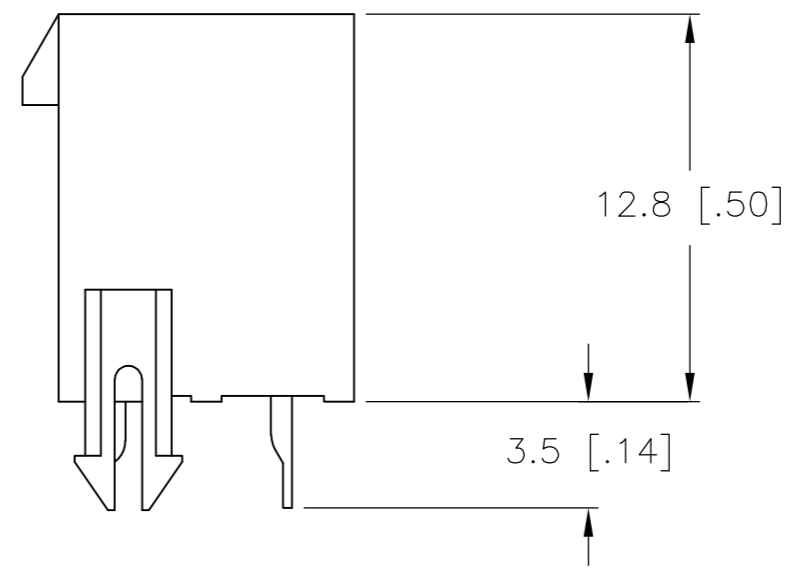
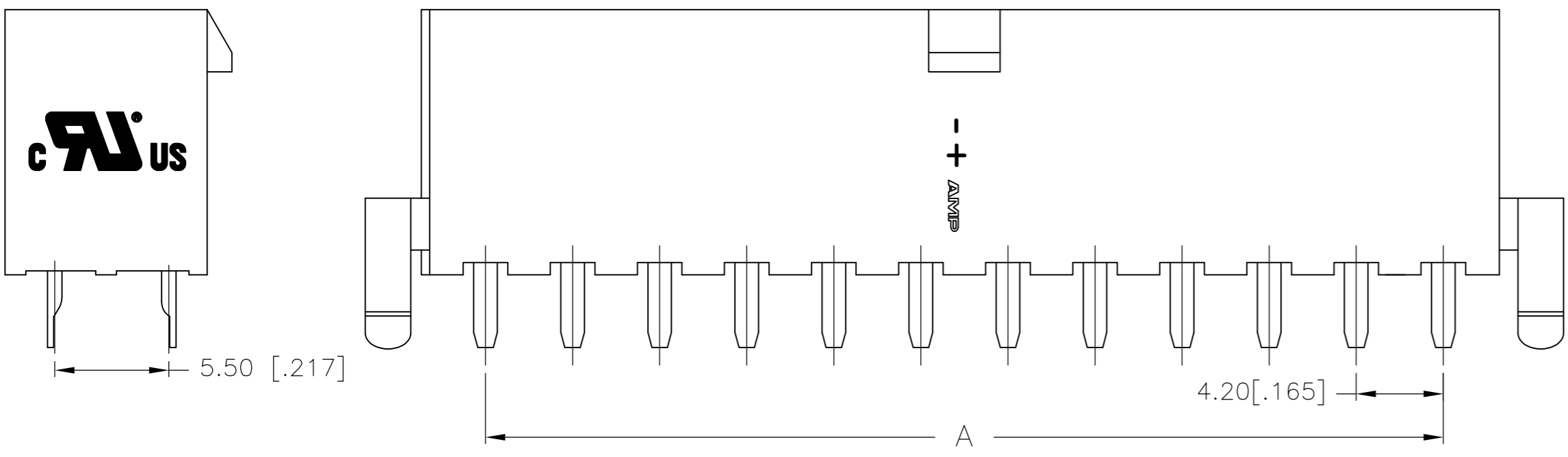


THIS DRAWING IS UNPUBLISHED. RELEASED FOR PUBLICATION
 © COPYRIGHT BY TYCO ELECTRONICS CORPORATION. ALL RIGHTS RESERVED.

| LOC | DIST | REVISIONS | | | | | |
|-----|------|-----------|-----|---------------|-----------|-----|------|
| CM | 00 | P | LTR | DESCRIPTION | DATE | DWN | APVD |
| | | B | | ECR-13-005951 | 07APR2013 | AZ | FM |
| | | B1 | | ECR-13-017995 | 18NOV2013 | AZ | FM |
| | | B2 | | ECR-14-003529 | 10MAR2014 | AZ | DZ |



- 1 MATERIAL: HOUSING: POLYAMIDE, UL94V-0, NATURAL CONTACTS: BRASS, TIN-PLATED
- 2 GLOW WIRE APPROVED, CONTACT TYCO ELECTRONICS ENGINEERING FOR SPECIFICATION.



PCB LAYOUT: COMPONENT SIDE
 RECOMMENDED BOARD THICKNESS 1.78 [.070]

| POS | A | B±0.2 [.01] | C±0.35 [.01] | PART NUMBER |
|-----|---------------------|--|--------------|-------------|
| 24 | 46.2±0.2 [1.82±.01] | 51.6 ^{+0.5} ₋₀ [2.03 ^{+0.02} ₀] | 55.6 [2.19] | 2-2029265-4 |
| 22 | 42.0±0.2 [1.65±.01] | 47.4 ^{+0.5} ₋₀ [1.87 ^{+0.02} ₀] | 51.4 [2.02] | 2-2029265-2 |
| 20 | 37.8±0.2 [1.49±.01] | 43.2 ^{+0.5} ₋₀ [1.70 ^{+0.02} ₀] | 47.2 [1.86] | 2-2029265-0 |
| 18 | 33.6±0.2 [1.32±.01] | 39.0 ^{+0.5} ₋₀ [1.54 ^{+0.02} ₀] | 43.0 [1.69] | 1-2029265-8 |
| 16 | 29.4±0.2 [1.16±.01] | 34.8 ^{+0.5} ₋₀ [1.37 ^{+0.02} ₀] | 38.8 [1.53] | 1-2029265-6 |
| 14 | 25.2±0.2 [.99±.01] | 30.6 ^{+0.5} ₋₀ [1.21 ^{+0.02} ₀] | 34.6 [1.36] | 1-2029265-4 |
| 12 | 21.0±0.2 [.83±.01] | 26.4 [1.04] | 30.4 [1.20] | 1-2029265-2 |
| 10 | 16.8±0.1 [.66±.00] | 22.2 [.87] | 26.2 [1.03] | 1-2029265-0 |
| 8 | 12.6±0.1 [.50±.00] | 18.0 [.71] | 22.0 [.87] | 2029265-8 |
| 6 | 8.4±0.1 [.33±.00] | 13.8 [.54] | 17.8 [.70] | 2029265-6 |
| 4 | 4.2±0.1 [.17±.00] | 9.6 [.38] | 13.6 [.54] | 2029265-4 |
| 2 | | 5.4 [.21] | 9.4 [.37] | 2029265-2 |

2-2029265-4 SHOWN

| | | | | |
|--|--|---------------------------------|--|-------------------------|
| THIS DRAWING IS A CONTROLLED DOCUMENT. | | DWN K. WHITAKER 04NOV2008 | Tyco Electronics Corporation Harrisburg, PA 17105-3608 | |
| DIMENSIONS: mm [INCHES] | | CHK C. CASH 04NOV2008 | NAME VERTICAL HEADER WITH PEGS, WITHOUT DRAIN HOLES VAL-U-LOK(TM) | |
| TOLERANCES UNLESS OTHERWISE SPECIFIED: 0 PLC ± 1 PLC ± 2 PLC ± 0.5 [.02] 3 PLC ± 0.25 [.010] 4 PLC ± 0.150 [0059] ANGLES ± | | APVD C. CASH 04NOV2008 | SIZE A2 | |
| MATERIAL 1 | | FINISH | CAGE CODE 00779 | DRAWING NO C=2029265 |
| | | WEIGHT | RESTRICTED TO | |
| | | CUSTOMER DRAWING | SCALE 10:1 | SHEET 1 of 1 |
| | | | REV B2 | |

单击下面可查看定价，库存，交付和生命周期等信息

[>>TE Connectivity\(泰科\)](#)