

4

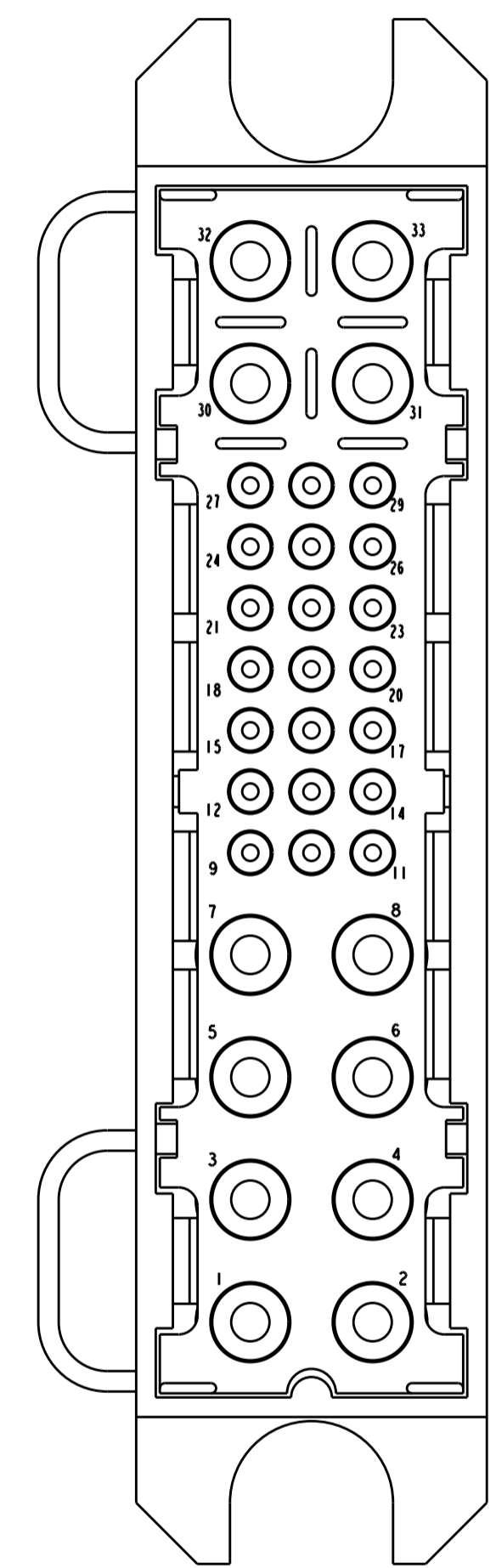
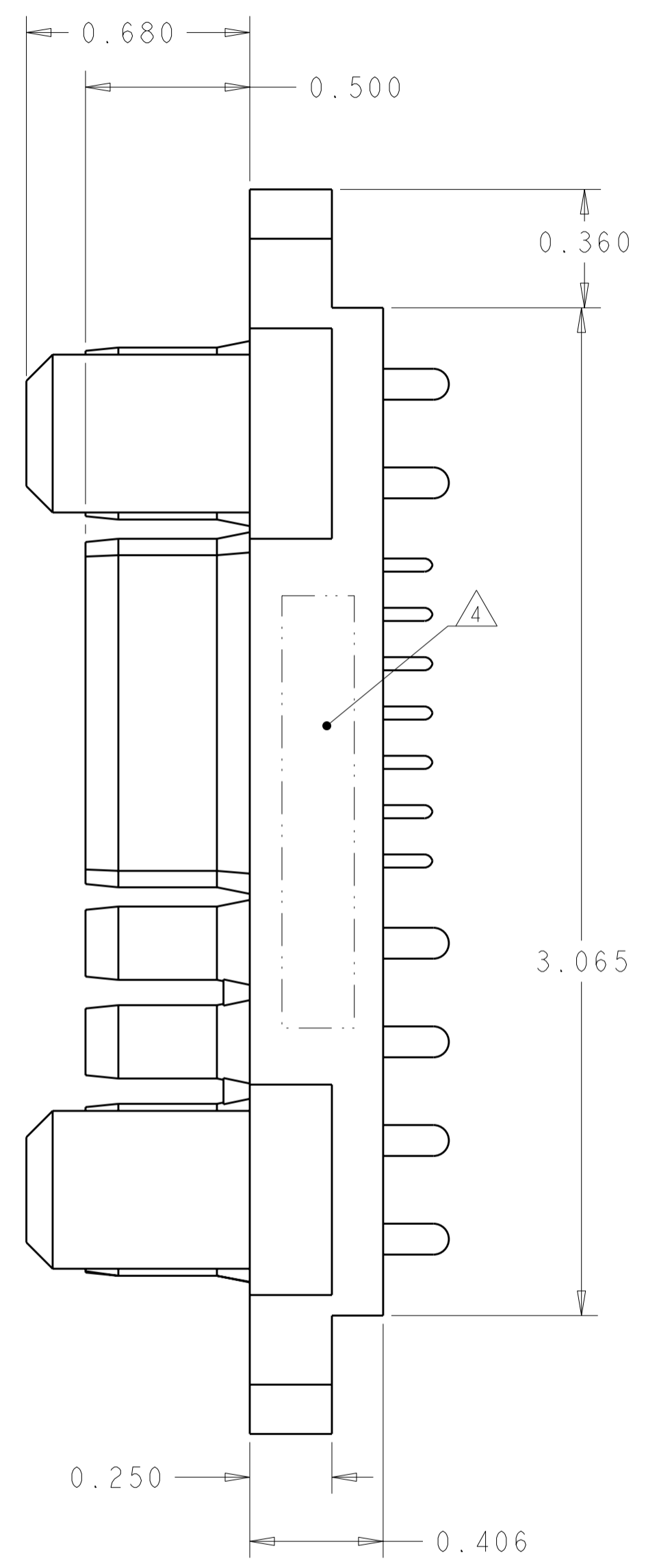
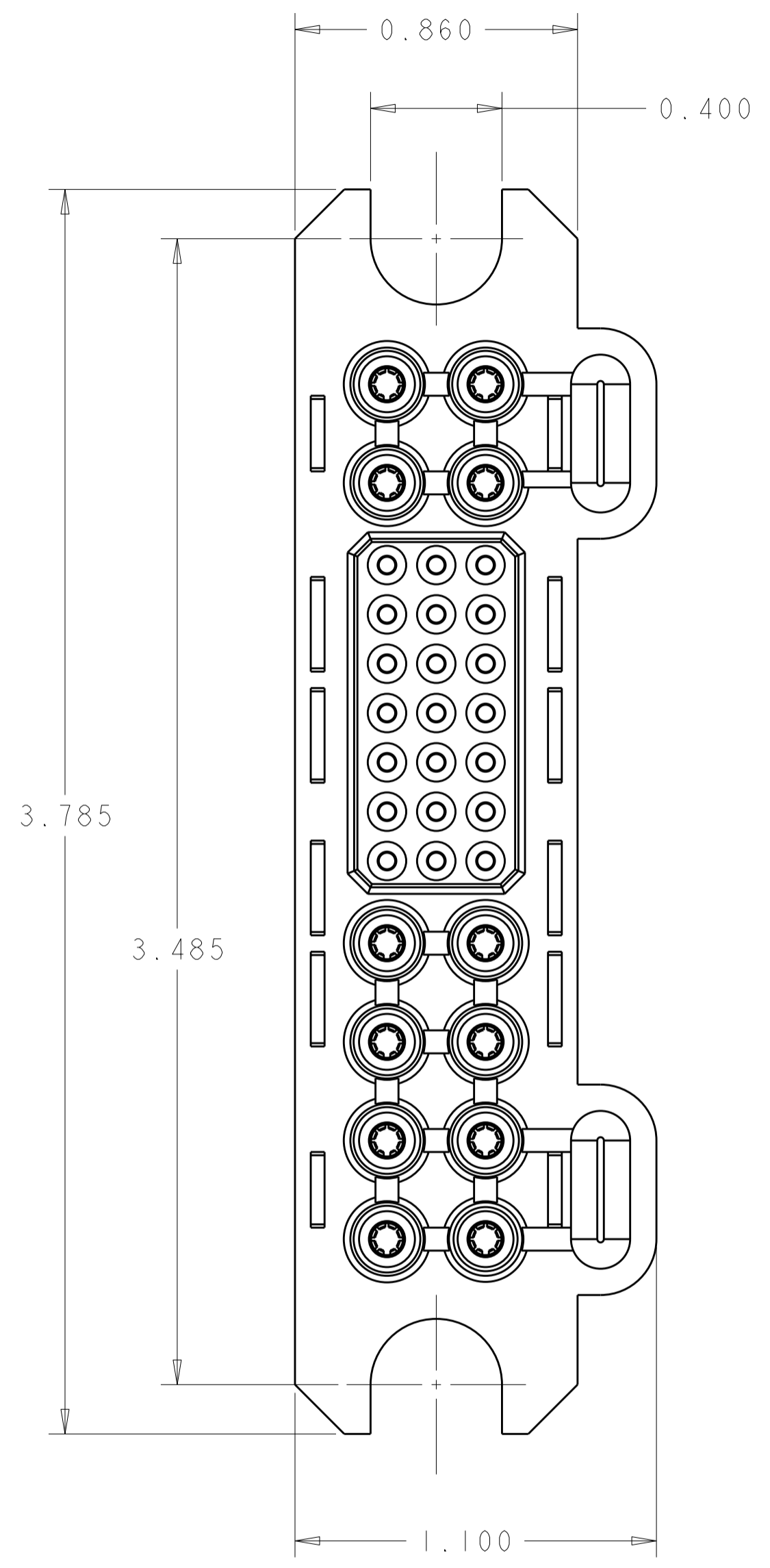
3

2

1

THIS DRAWING IS UNPUBLISHED. RELEASED FOR PUBLICATION 20  
© COPYRIGHT 20 BY TYCO ELECTRONICS CORPORATION. ALL RIGHTS RESERVED.

LOC		DIST		REVISIONS			
P	LTR	DESCRIPTION	DATE	DWN	APVD		
GP	00	A	RELEASED	27OCT2008	RG	DO	



SOCKET CONTACTS (B)  
SIZE #12

SOCKET CONTACTS (C)  
SIZE #20

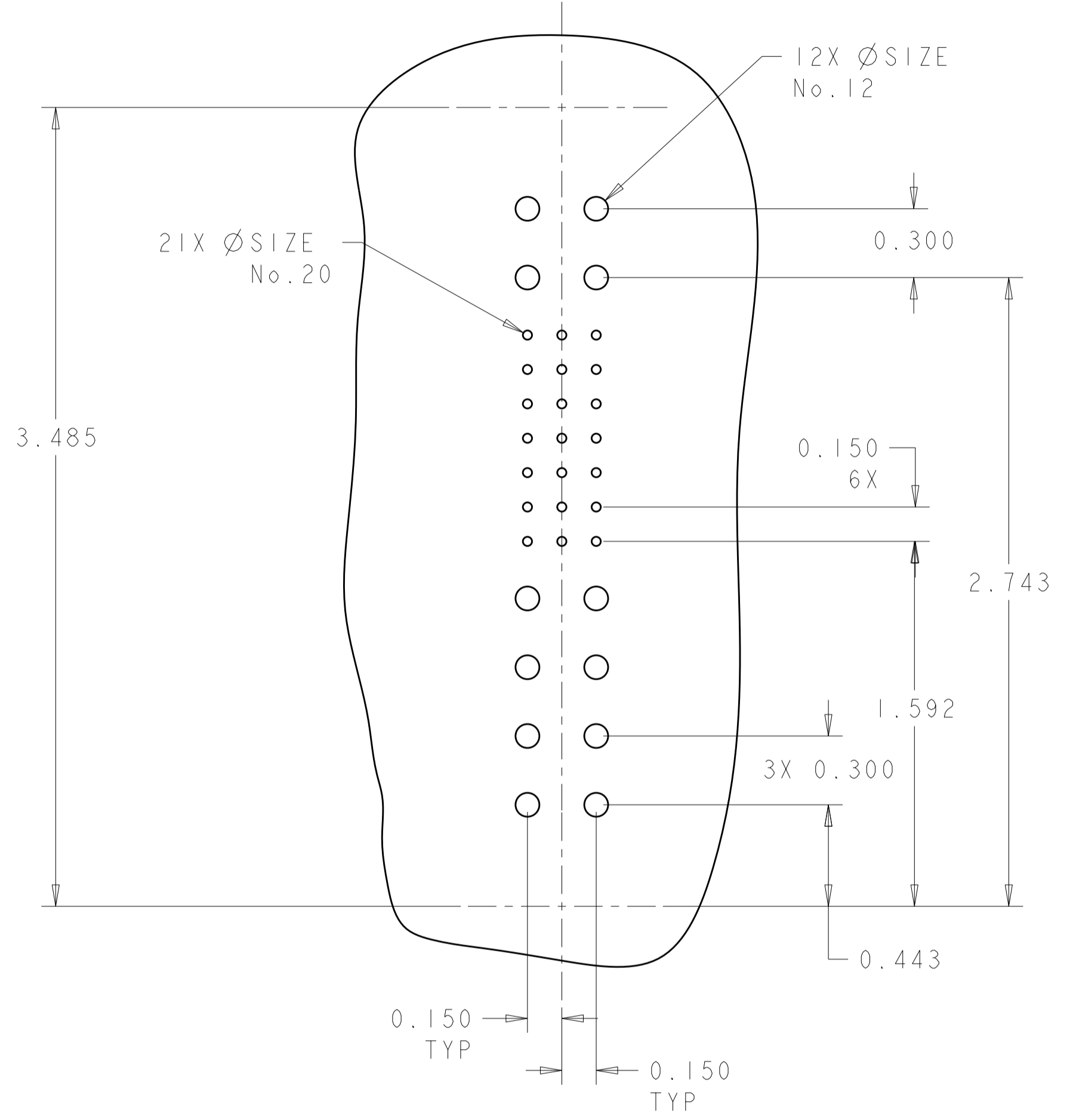
SOCKET CONTACTS (B)  
SIZE #12

ELCON RA12S21 DRAWER

<small>THIS DRAWING IS A CONTROLLED DOCUMENT FOR TYCO ELECTRONICS CORPORATION IT IS SUBJECT TO CHANGE AND THE CONTROLLING ENGINEERING ORGANIZATION SHOULD BE CONTACTED FOR THE LATEST REVISION.</small>		DWN R. GRZYBOWSKI 21OCT08 CHK D. ORRIS 21OCT08 APVD M. PERCHERKE 21OCT08	Tyco Electronics Harrisburg, PA 17105-3608
DIMENSIONS: INCHES	TOLERANCES UNLESS OTHERWISE SPECIFIED: 0 PLC ± 1 PLC ±.01 2 PLC ±.01 3 PLC ±.005 4 PLC ± ANGLES ±5 FINISH	PRODUCT SPEC 108-2285 APPLICATION SPEC 114-13206 WEIGHT -	NAME CONNECTOR ASSEMBLY SOCKET W/ PCB TAILS RA12S21 DRAWER
MATERIAL 2 - 3 -		SIZE A2 CAGE CODE 00779 DRAWING NO. C-6651503	RESTRICTED TO - SCALE 3:1 SHEET 1 OF 2 REV A

THIS DRAWING IS UNPUBLISHED. RELEASED FOR PUBLICATION 20  
 © COPYRIGHT 20 BY TYCO ELECTRONICS CORPORATION. ALL RIGHTS RESERVED.

LOC	DIST	REVISIONS					
GP	00	P	LTR	DESCRIPTION	DATE	DWN	APVD
		-		SEE SHEET 1			



PRINTED CIRCUIT BOARD LAYOUT  
 VIEW FROM CONNECTOR MOUNTING SIDE

HOLE SIZE #12  
 FINISHED HOLE:  $\phi .104 \pm .003$   
 DRILLED HOLE:  $\phi .1065 \pm .0005$   
 COPPER PLATE: .0010 MIN  
 TIN PLATE: .0002 MIN THK.

HOLE SIZE #20  
 FINISHED HOLE:  $\phi .047 \pm .003$   
 DRILLED HOLE:  $\phi .0453 \pm .0005$   
 COPPER PLATE: .0010 MIN  
 TIN PLATE: .0002 MIN THK.

**ELCON RA12S21 DRAWER**

1. PART NUMBER CHANGES AND OR DESIGN CHANGES AFFECTING THE INTERCHANGEABILITY REQUIRE PRIOR TYCO ELECTRONICS APPROVAL AND AUTHORIZATION BY REVISION TO THIS DRAWING.

2. MATERIAL:  
 INSULATOR: THERMOPLASTIC, GLASS REINFORCED, UL 94V-0  
 FLAMMABILITY RATED, COLOR: BLACK  
 CONTACT: COPPER ALLOY  
 CROWN BAND: BERYLLIUM COPPER  
 RETENTION CLIP: BERYLLIUM COPPER OR STAINLESS STEEL

3. FINISH:  
 CONTACTS SIZE #12 : SILVER .000200 MIN THK.  
 OVER NICKEL .00040 MIN THK.  
 CONTACTS SIZE #20 : GOLD .000010 MIN THK.  
 OVER NICKEL .00040 MIN THK.  
 CROWN BAND: GOLD .000030 MIN THK.  
 OVER NICKEL .00040 MIN THK.

4. ITEMS PROVIDED TO THIS SPECIFICATION TO BE PERMANENTLY IDENTIFIED PER THE FOLLOWING IDENTIFIER:  
 YEAR 11 WEEK 11  
 TYCO ELECTRONICS P/N XXXXXXXX-X DATE CODE (e.g. 0216) XXXX

5. PCB TAIL CONTACTS (ITEMS B AND C ) ARE INSERTABLE/NON-REMOVABLE LOCATED AS SHOWN.  
 CONTACT SIZE No.12: LOADED IN 1 THRU 8 POSN AND 30 THRU 33 POSN.  
 CONTACT SIZE No.20: LOADED IN 9 THRU 29 POSN

5	21	1648382-1	CONTACT, SOCKET, #20, PCB TAIL	C
5	12	6648374-1	CONTACT, SOCKET, #12, PCB TAIL	B
	1	1651502-2	HOUSING, SOCKET	A
	-1	PART NUMBER	DESCRIPTION	ITEM

<small>THIS DRAWING IS A CONTROLLED DOCUMENT FOR TYCO ELECTRONICS CORPORATION. IT IS SUBJECT TO CHANGE AND THE CONTROLLING ENGINEERING ORGANIZATION SHOULD BE CONTACTED FOR THE LATEST REVISION.</small>		DWN R. GRZYBOWSKI 21OCT08 CHK D. ORRIS 21OCT08 APVD M. PERCHERKE 21OCT08	Tyco Electronics Harrisburg, PA 17105-3608
DIMENSIONS: INCHES 	TOLERANCES UNLESS OTHERWISE SPECIFIED: 0 PLC ± 1 PLC ±.01 2 PLC ±.005 3 PLC ± 4 PLC ± ANGLES ±5 FINISH	NAME M. PERCHERKE PRODUCT SPEC 108-2285 APPLICATION SPEC 114-13206	NAME CONNECTOR ASSEMBLY SOCKET W/ PCB TAILS RA12S21 DRAWER
MATERIAL		WEIGHT	SIZE CAGE CODE DRAWING NO RESTRICTED TO
			A200779C-6651503 -
CUSTOMER DRAWING		SCALE 3:1	SHEET 2 OF 2 REV A

单击下面可查看定价，库存，交付和生命周期等信息

[>>TE Connectivity\(泰科\)](#)