

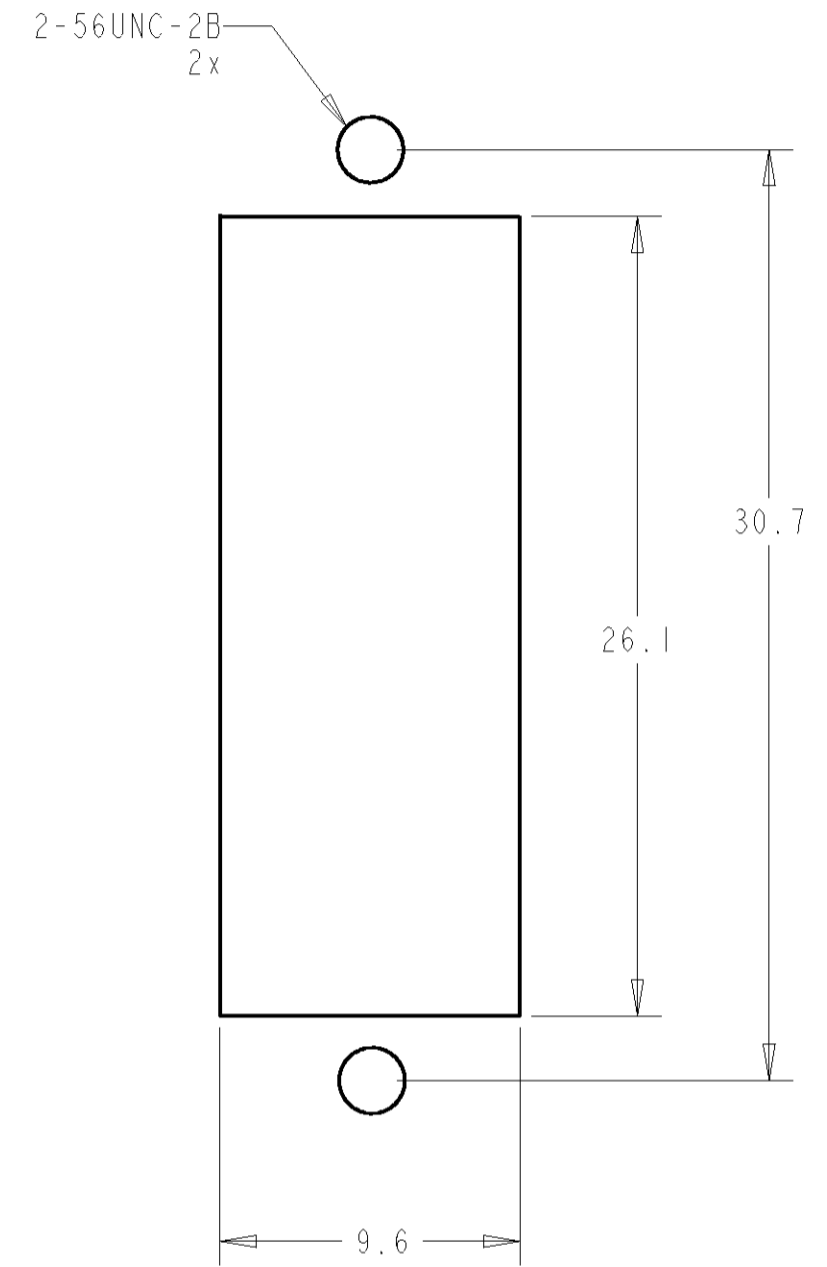
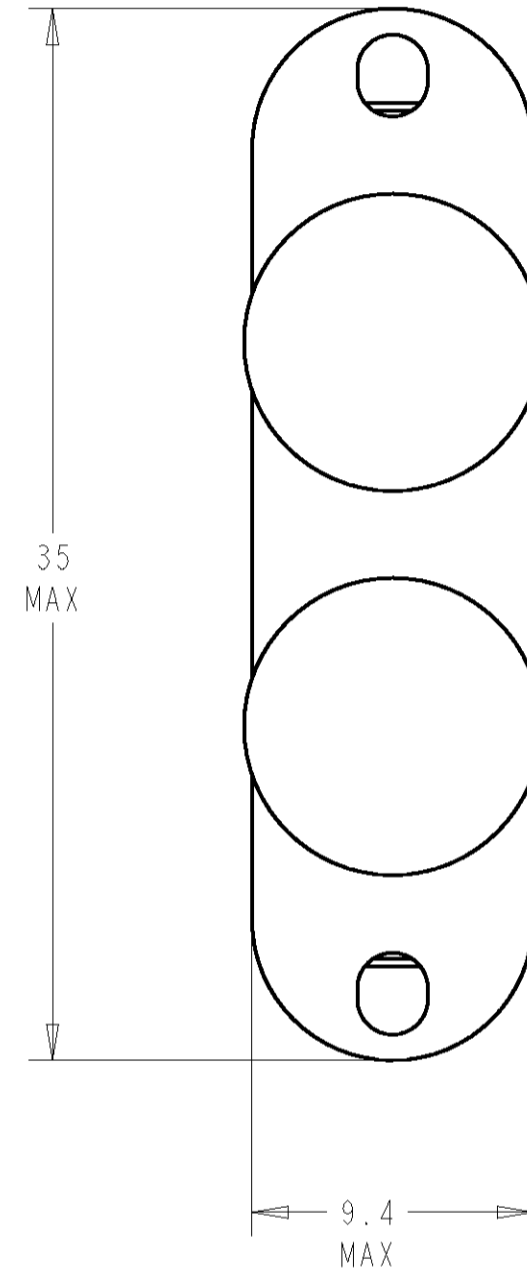
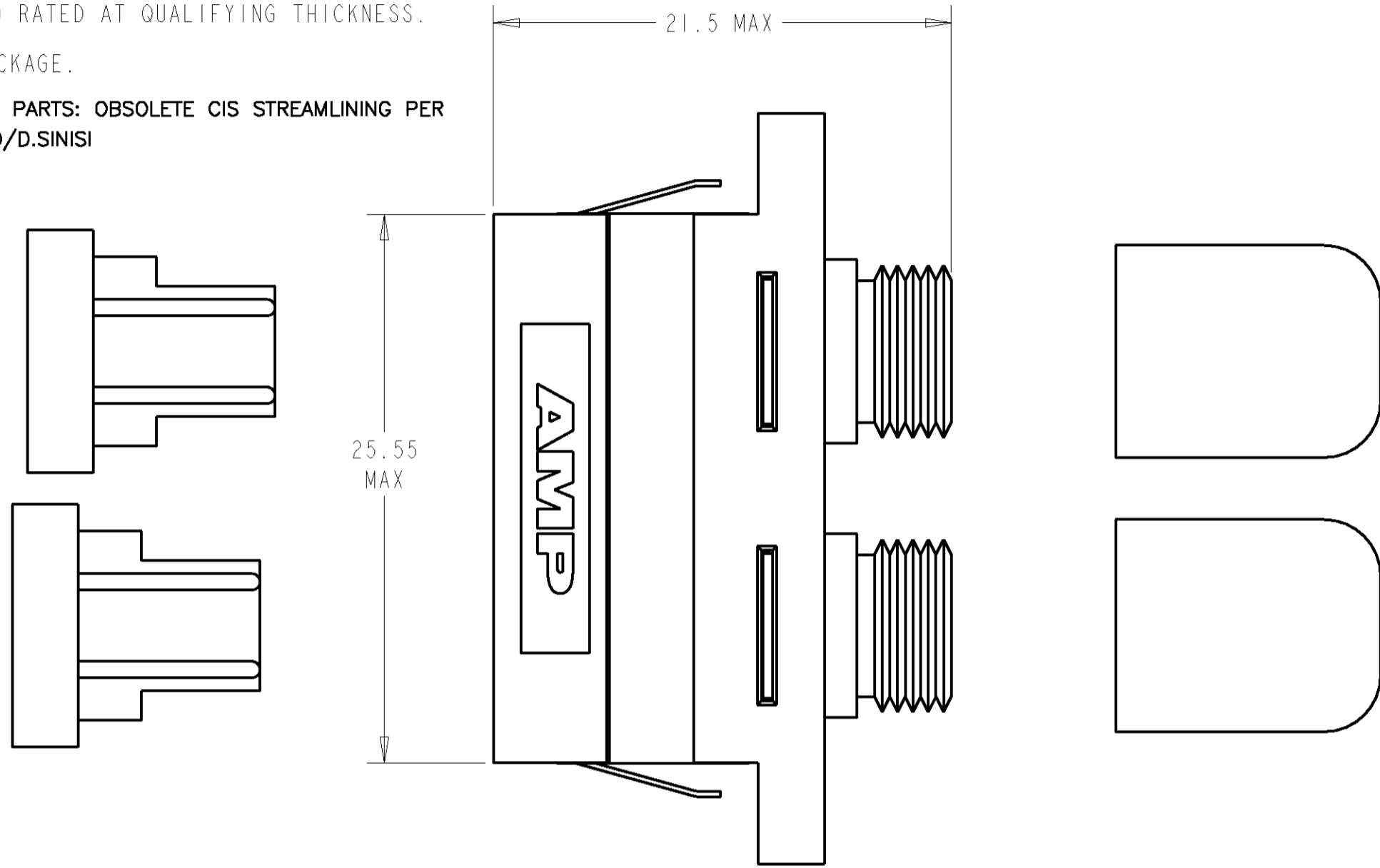
THIS DRAWING IS UNPUBLISHED. RELEASED FOR PUBLICATION .19  
 © COPYRIGHT 19 BY AMP INCORPORATED. ALL RIGHTS RESERVED.

LOC	DIST	REVISIONS					
CE	00	P	LTR	DESCRIPTION	DATE	DWN	APVD
		A		RELEASE TO ACTIVE	17MAY2005	BB	SM
		A1		REVISED PER ECO-10-000445	11JAN10	KK	AEG

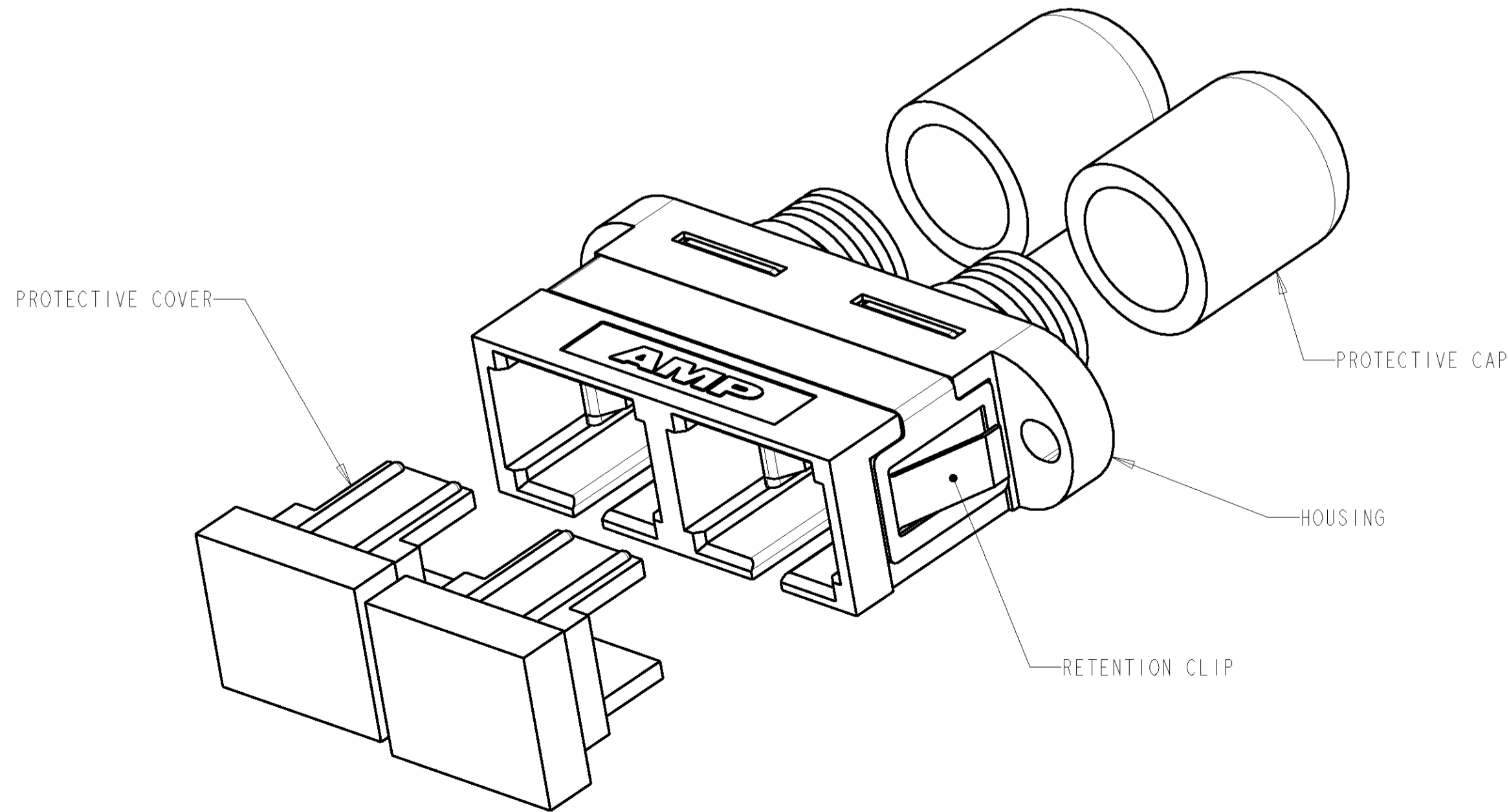
1 MATERIAL:  
 HOUSING: DIECAST ZINC, NICKEL PLATED.  
 ALIGNMENT SLEEVE: SEE DASH NO'S  
 PROTECTIVE COVER: TPE, COLOR: BLACK.\*  
 RETENTION CLIP: STAINLESS STEEL  
 PROTECTIVE CAP: VINYL  
 RETAINER: PEI-GF30, COLOR: BLACK.\*  
 \*UL94 V-0 RATED AT QUALIFYING THICKNESS.

2 BULK PACKAGE.

3 OBSOLETE PARTS: OBSOLETE CIS STREAMLINING PER D.RENAUD/D.SINISI



SUGGESTED PANEL CUTOUT  
 MAX. PANEL THICKNESS 1.7



2	CERAMIC	6278050-4
	CERAMIC	6278050-3
3 2	<b>OBSOLETE</b> METAL	<del>6278050-2</del>
	METAL	6278050-1
	ALIGNMENT SLEEVE	PART NO

DIMENSIONS:		TOLERANCES UNLESS OTHERWISE SPECIFIED:		DWN	17MAY2005	AMP Incorporated	
mm		0 PLC	±	B. BRIGGS		Harrisburg, PA 17105-3608	
		1 PLC	±0.1	CHK	17MAY2005	NAME ASSEMBLY, DUPLEX RECPETACLE, SC/FC DIECAST HOUSING	
		2 PLC	±0.05	S. MILLER			
		3 PLC	±	APVD	17MAY2005	SIZE	CAGE CODE
		4 PLC	±	S. BUCHTER		A2	00779
		ANGLES	±	PRODUCT SPEC		DRAWING NO	RESTRICTED TO
		FINISH	±	APPLICATION SPEC		C=6278050	-
MATERIAL				WEIGHT		SCALE	SHEET OF REV
				CUSTOMER DRAWING		4	A1

单击下面可查看定价，库存，交付和生命周期等信息

[>>TE Connectivity\(泰科\)](#)