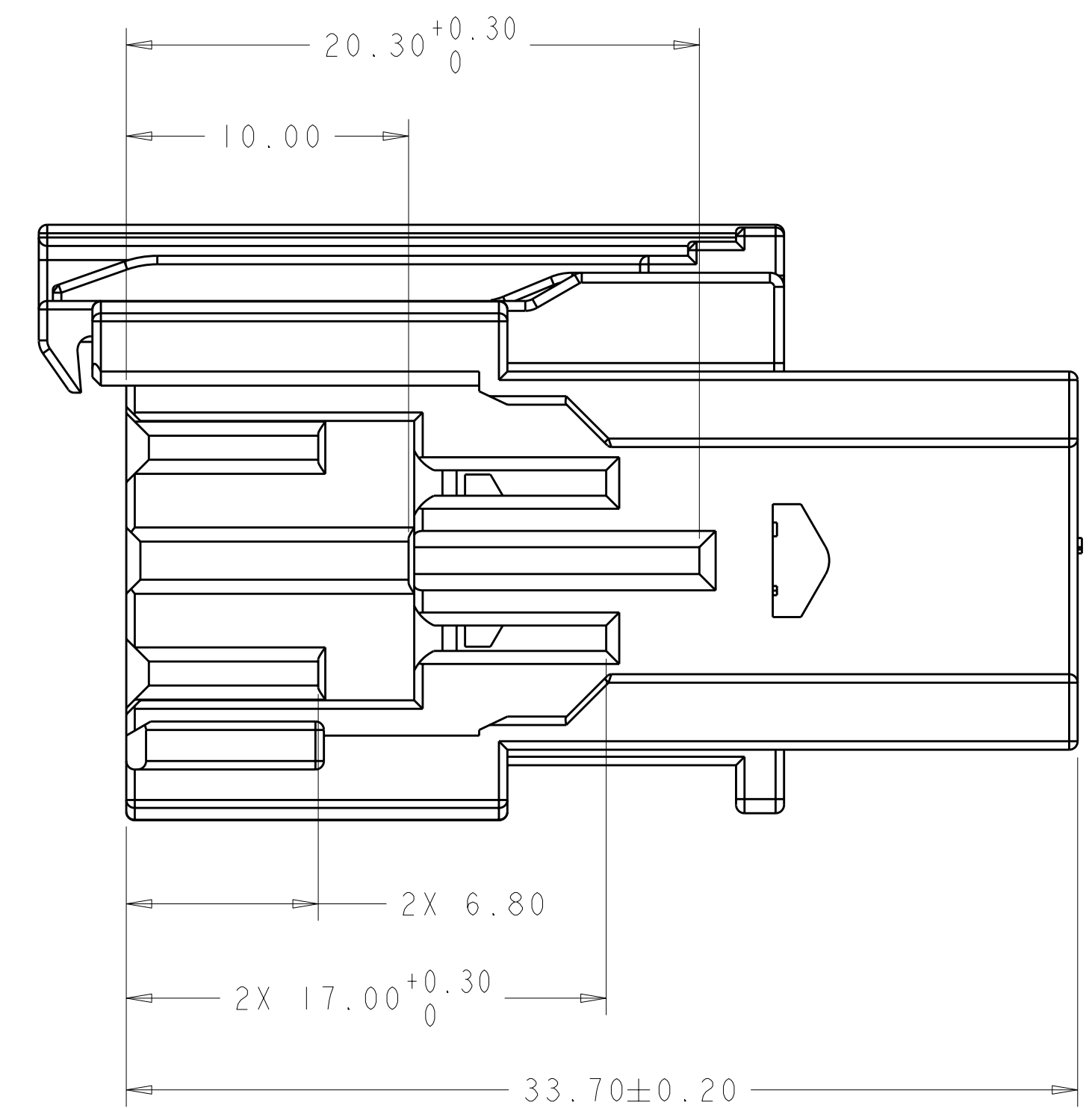
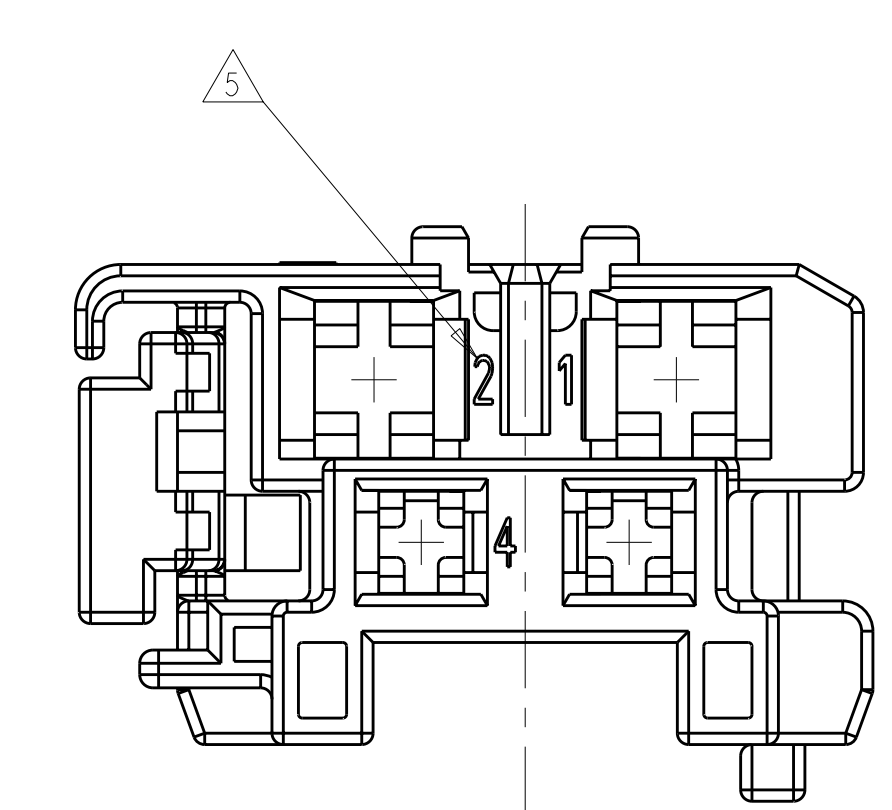
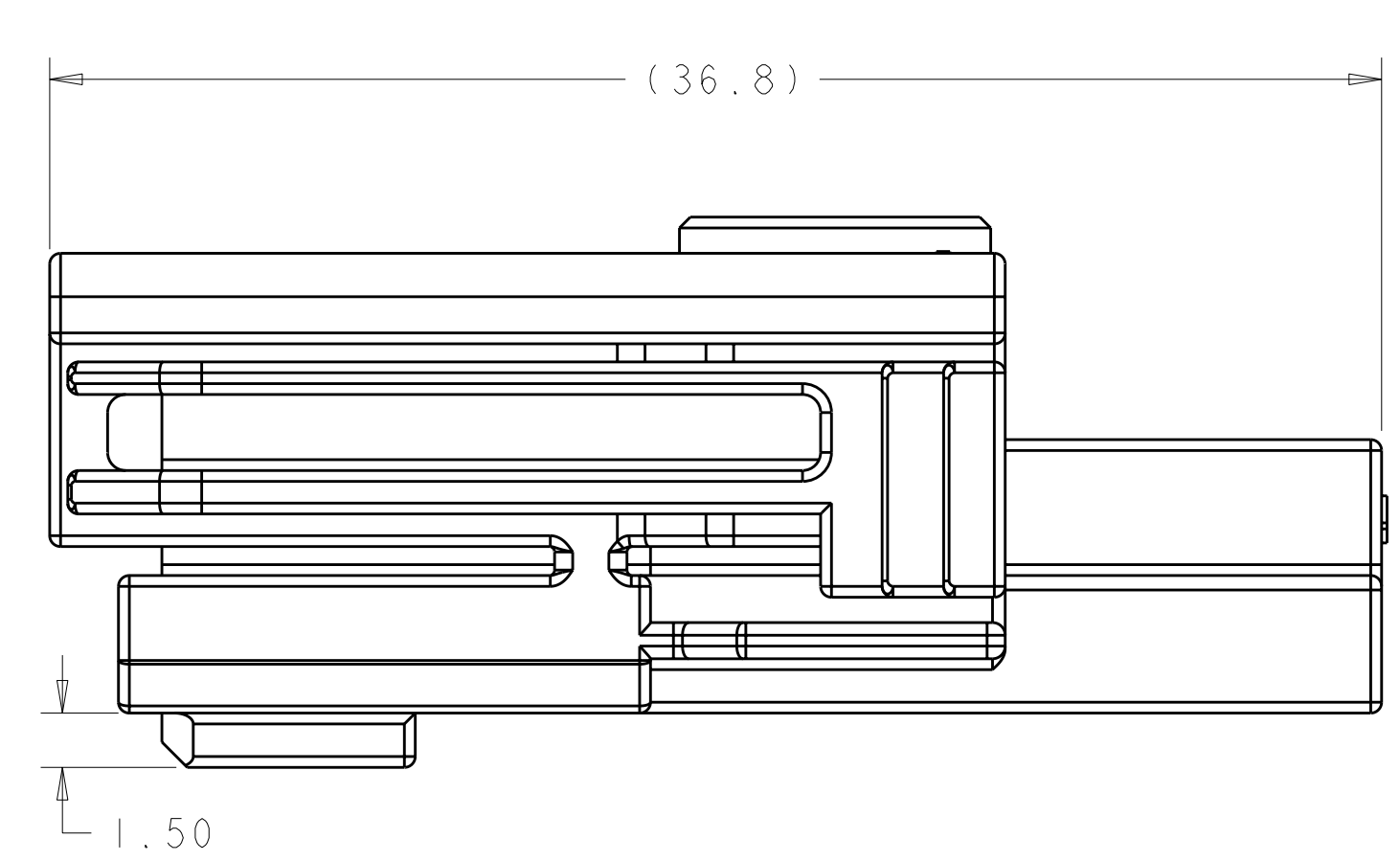
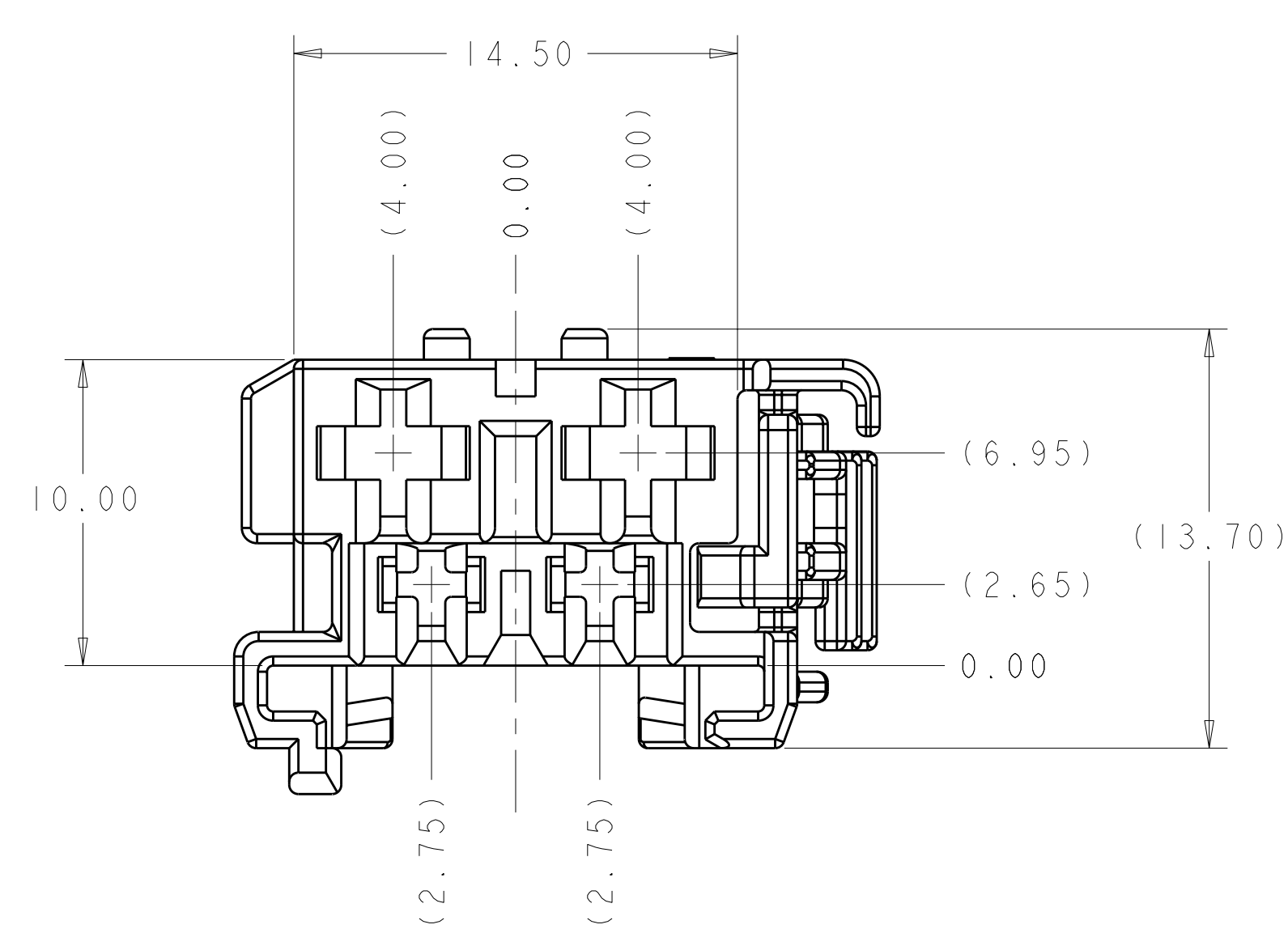
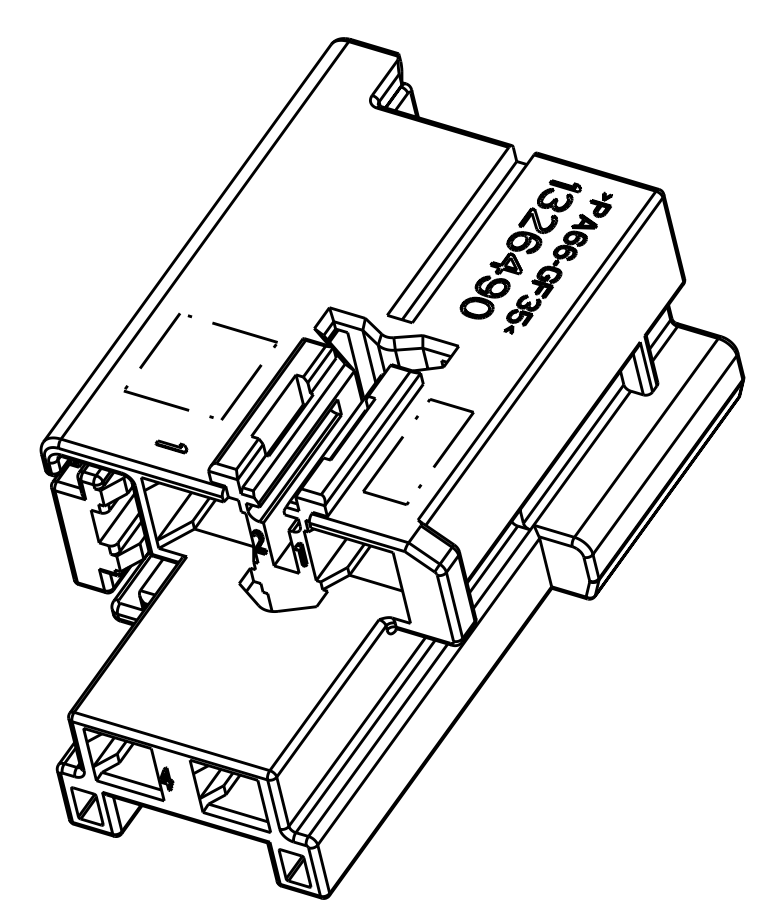
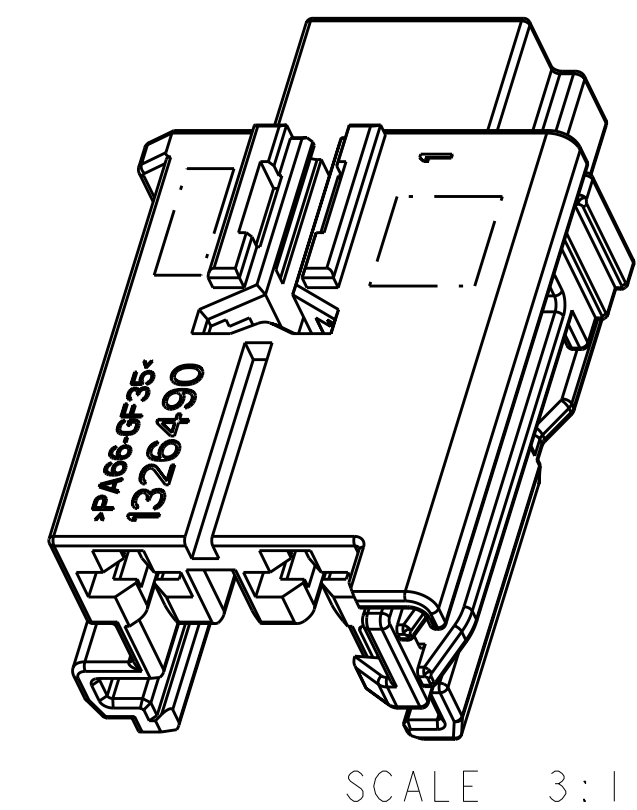
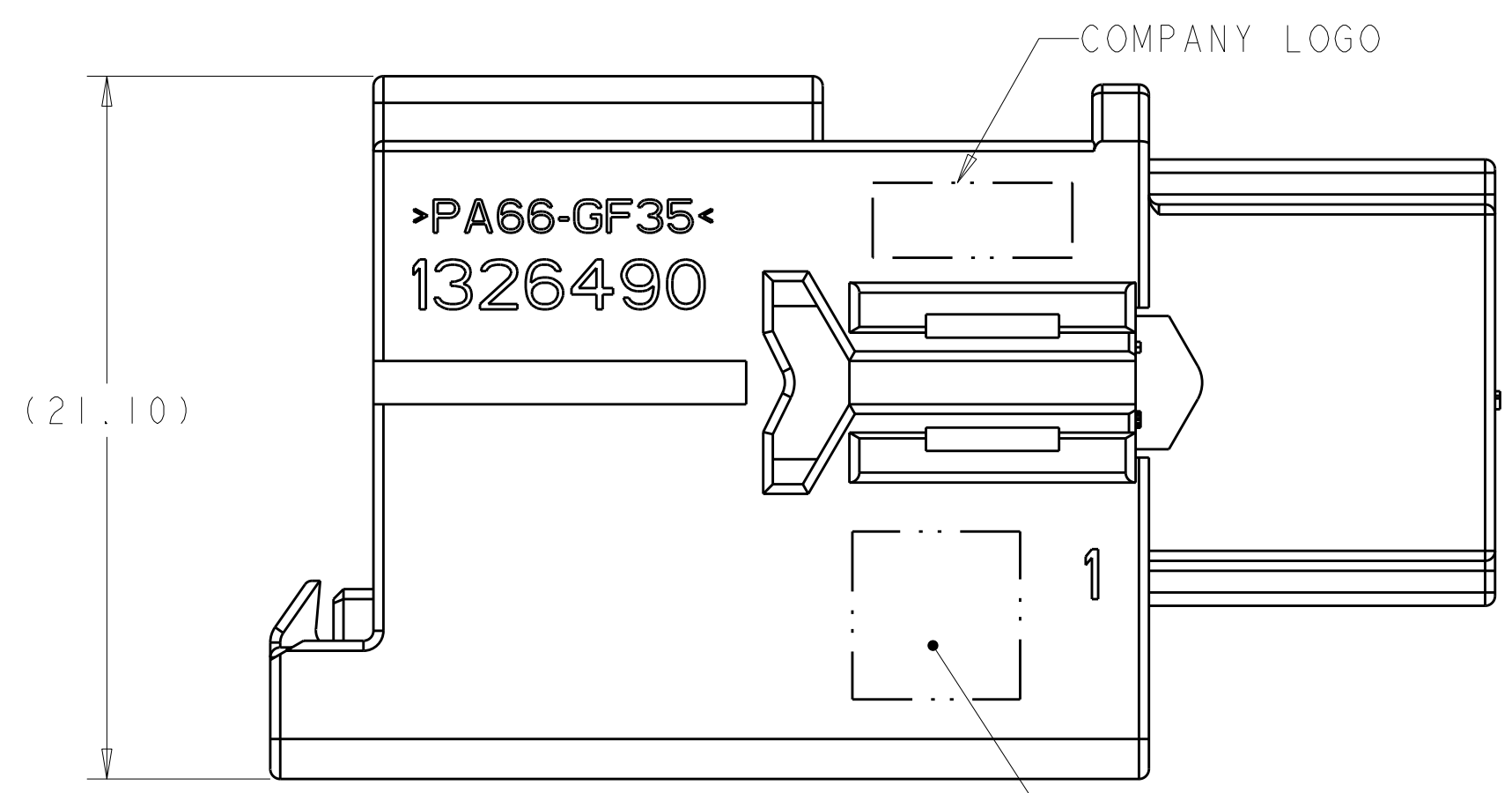


LOC	DIST	REVISIONS			
REV	DATE	DESCRIPTION	DATE	BY	APPD
GE	00				
E	17AUG2004	REVISED PER EC 0K40-0277-04	17AUG2004	APH	KLC
F	14OCT2004	REVISED PER EC 0K40-0364-04	14OCT2004	DLD	KLC
G	07AUG2007	REVISED PER ECR-07-017319	07AUG2007	AH	BK
G1	22JUN2010	REV PER ECR-10-012906	22JUN2010	VSS	DZ

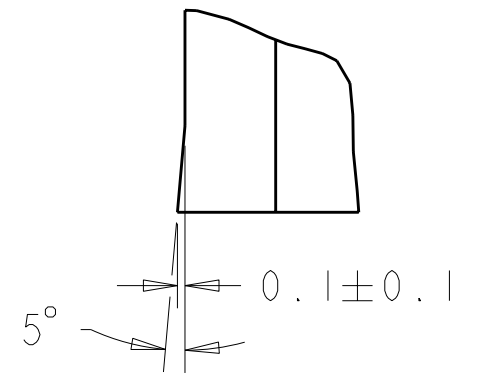


- △ MATERIAL : 35% GLASS REINFORCED 6/6 NYLON, COLOR : SEE PART NUMBER TABLE.
- △ DATE CODE, COMPANY LOGO, PART NUMBER, MATERIAL IDENTIFIER, AND CAVITY ID LOCATED APPROXIMATELY AS SHOWN.
- 3. NOTE: EXCEPTION TO SAE/USCAR-2 REV.3 (SECTION 5.4.2) THAT SPECIFIES UNMATING FORCE WITH LATCH ENGAGED = 110N (ACTUAL MEAN FORCE VALUE DETERMINED IN PV TESTING FOR FULLY POPULATED 4P ASSEMBLY = 85N) DEVIATION APPROVED BY DAIMLER CHRYSLER ENGINEERING
- 4. AFTER TERMINAL INSERTION, ASSEMBLE SECONDARY LOCK P/N 968183-1 FOR COMPLETE CONNECTOR ASSEMBLY.
- △ 5. CIRCUIT IDENTIFICATION MARKING TO BE LOCATED APPROXIMATELY AS SHOWN.
- △ 6. CONNECTOR TO MATE WITH BOSCH BRUSHCARD INTERFACE.
- △ 7. DIMENSION APPLIES ACROSS INDICATED HEIGHT.
- 8. CIRCUITS 1) & 2 ACCEPT TE JUNIOR POWER TIMER CONTACT, P/N 927771-X.
- 9. CIRCUITS 3) & 4 ACCEPT TE MICRO TIMER III CONTACT, P/N 968052-X.

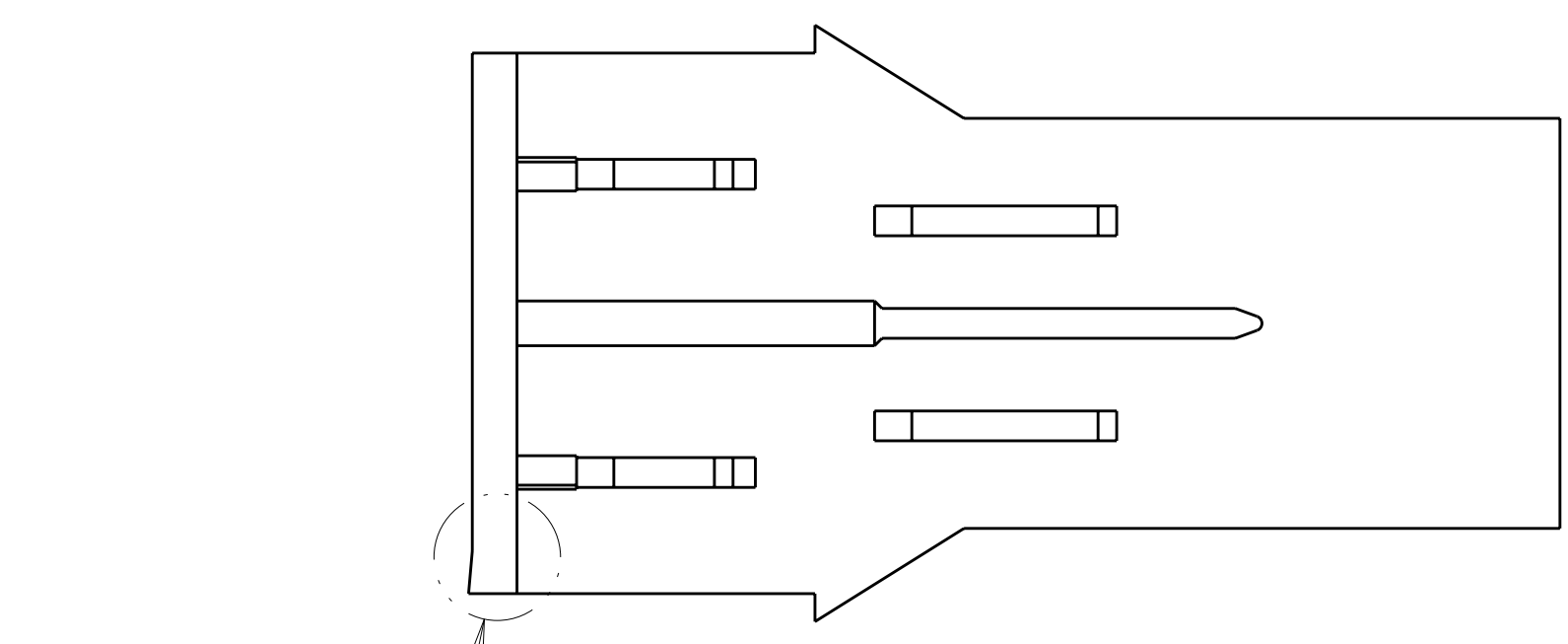
NATURAL	1326490-5
GRAY	1326490-3
COLOR	PART NUMBER

DIMENSIONS: mm 		TOLERANCES UNLESS OTHERWISE SPECIFIED: 9 PLC ±.3 1 PLC ±0.3 5 PLC ±0.15 4 PLC ±. ANGLES ±. FINISH #1		DWN J. PATTERSON 20NOV2002 CHK J. PATTERSON 20NOV2002 APVD D. BROWN 20NOV2002 NAME RECEPTACLE HOUSING, 4 POSITION, 2X JPT CONTACTS + 2X MT3 CONTACTS SIZE CAGE CODE DRAWING NO. RESTRICTED TO A 00779 C=1326490 SCALE 5:1 SHEET 1 OF 2 REV. G1	
MATERIAL △ FINISH -		TOLERANCES UNLESS OTHERWISE SPECIFIED: 9 PLC ±.3 1 PLC ±0.3 5 PLC ±0.15 4 PLC ±. ANGLES ±. FINISH #1		Tyco Electronics Harrisburg, PA 17105-3608 CUSTOMER DRAWING	

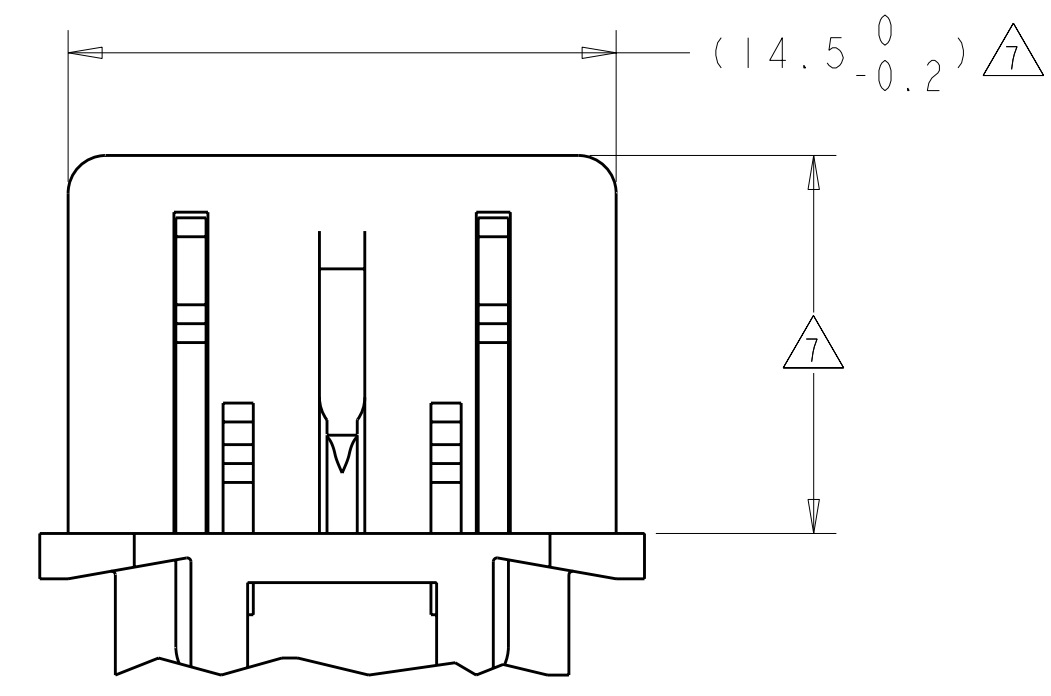
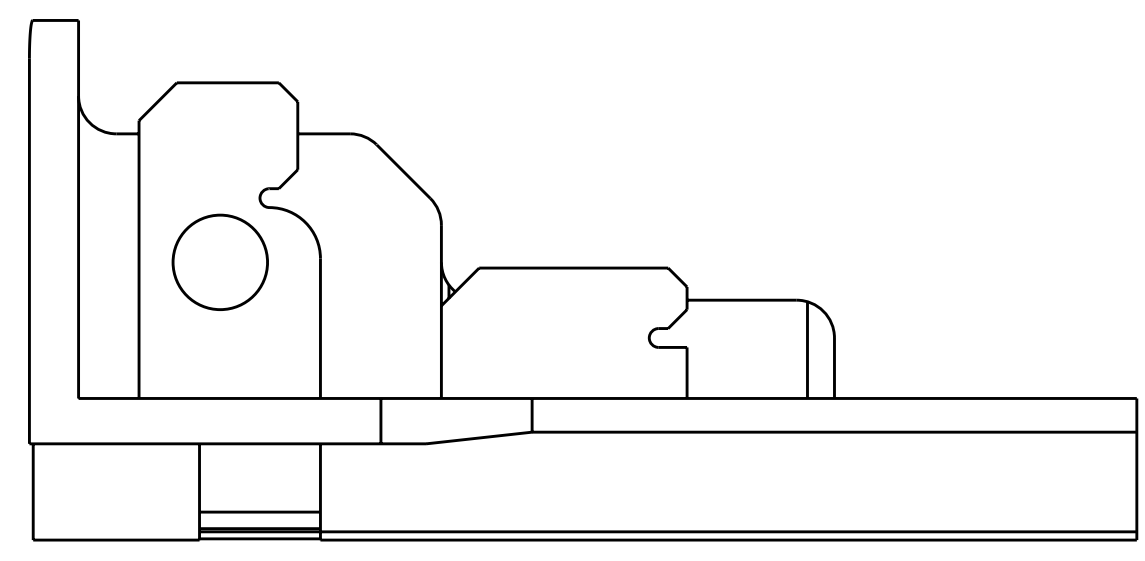
LOC	DIST	REVISIONS			
P	LTB	DESCRIPTION	DATE	DWN	APVD
-	-	SEE SHEET 1	-	-	-



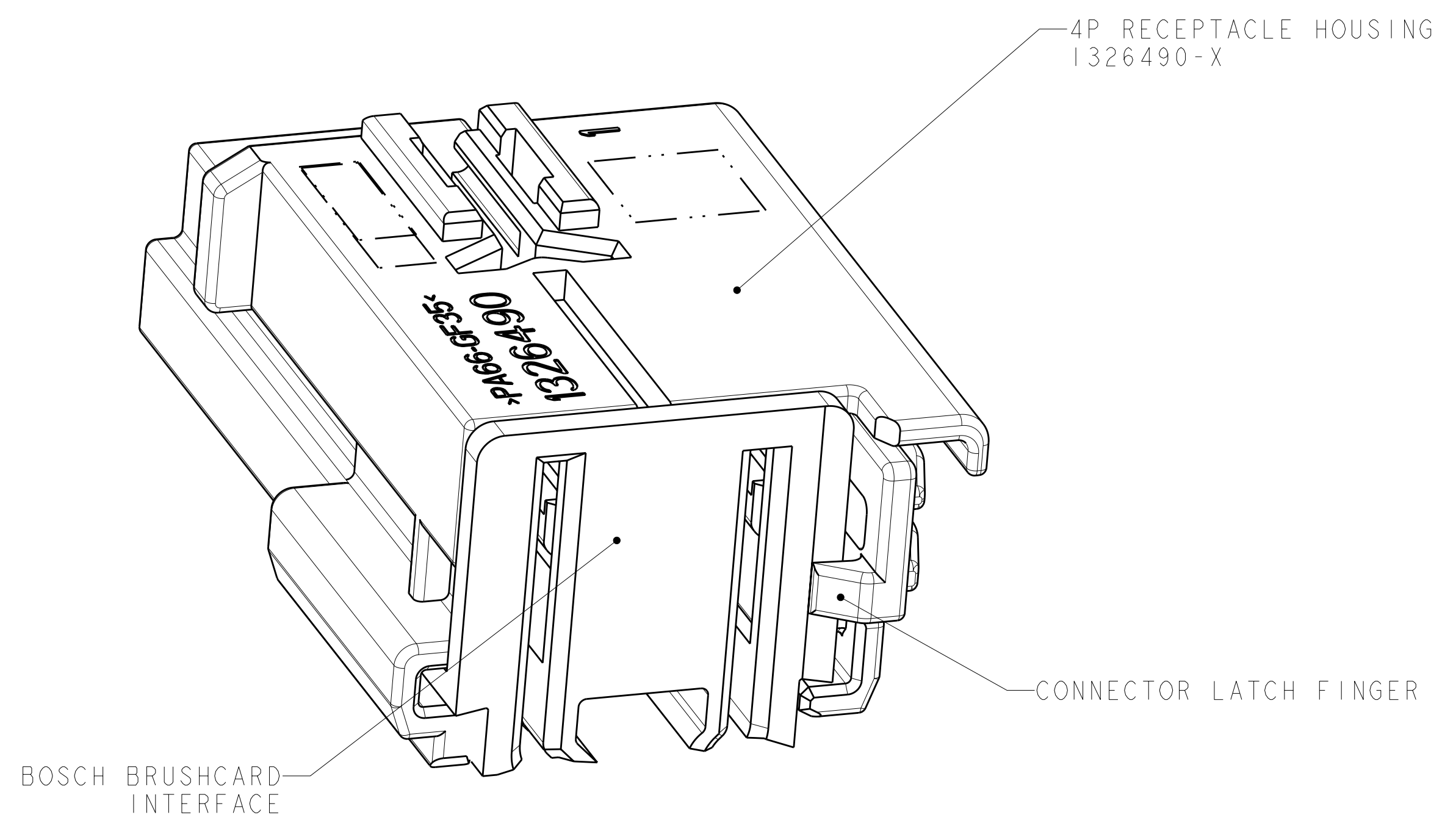
DETAIL A
SCALE 10:1



SEE DETAIL A



△ BOSCH BRUSHCARD INTERFACE



SCALE 6:1

<small>THIS DRAWING IS UNPUBLISHED. RELEASED FOR PUBLICATION BY TYCO ELECTRONICS CORPORATION. IT IS SUBJECT TO CHANGE WITHOUT NOTICE AND WITHOUT OBLIGATION. SHOULD BE CONTACTED FOR THE LATEST REVISION.</small>		DWN J. PATTERSON 20NOV2002 CHK J. PATTERSON 20NOV2002 APVD D. BROWN 20NOV2002	Tyco Electronics Harrisburg, PA 17105-3608
DIMENSIONS: mm 		TOLERANCES UNLESS OTHERWISE SPECIFIED: 0 PLC ± 1 PLC ±0.3 2 PLC ±0.15 3 PLC ± 4 PLC ± ANGLES ±1	NAME RECEPTACLE HOUSING, 4 POSITION, 2X JPT CONTACTS + 2X MT3 CONTACTS SIZE CAGE CODE DRAWING NO. RESTRICTED TO A11 00779 C=1326490
MATERIAL FINISH		WEIGHT CUSTOMER DRAWING	SCALE 5:1 SHEET 2 OF 2 REV G1

单击下面可查看定价，库存，交付和生命周期等信息

[>>TE Connectivity\(泰科\)](#)