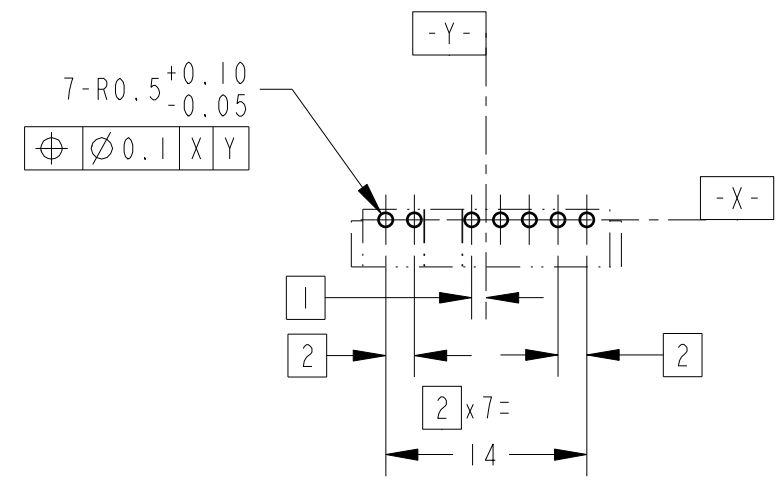
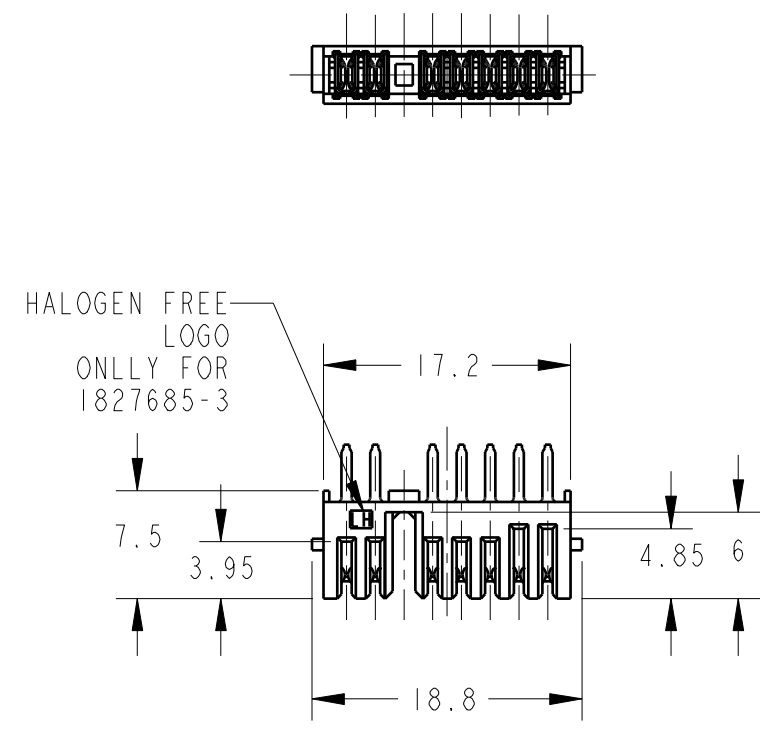


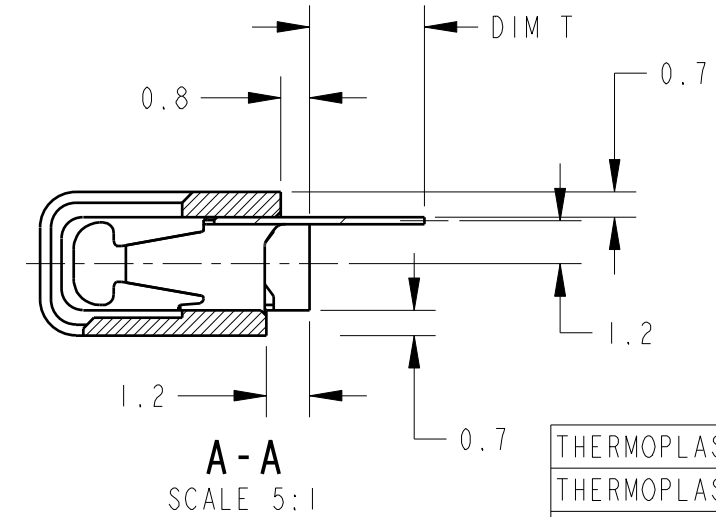
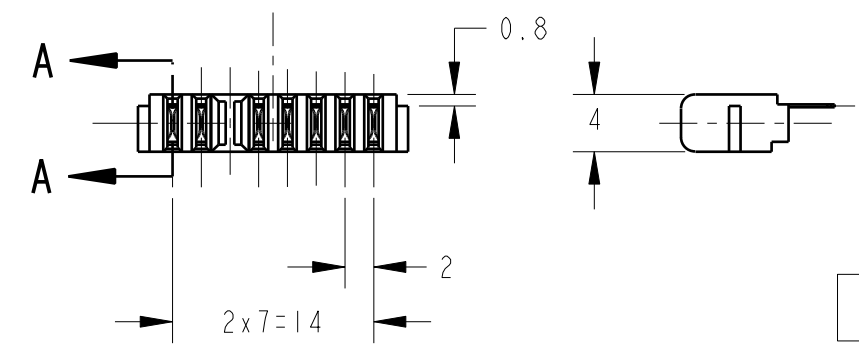
THIS DRAWING IS UNPUBLISHED. RELEASED FOR PUBLICATION 20
 © COPYRIGHT 20 BY TYCO ELECTRONICS CORPORATION. ALL RIGHTS RESERVED.

LOC	DIST	REVISIONS			
P	LTR	DESCRIPTION	DATE	DWN	APVD
ES	-	A	RELEASED	04JUL05	T.K T.K
		A3	REVISED PER ECR-09-000157	08JAN2009	S.W S.Y
		B	REVISED PER ECR-09-020441	01SEP2009	S.W S.Y



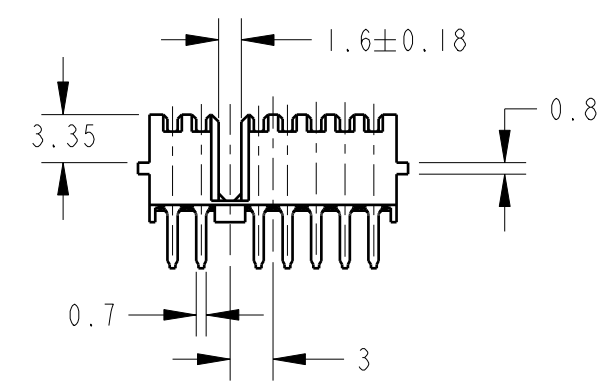
- 1 MATERIAL CONTACT COPPER ALLOY HOUSING THERMOPLASTIC RESIN, UL94V-0BLACK
- 2 FINISH CONTACT NICKEL ALL OVER UNDER PLATING, GOLD PLATING AT CONTACT AREA, TIN PLATING AT LEAD AREA,

REFERENCE P.C BOARD LAYOUT
 P.C BOARD THK. 0.8 1.2
 (VIEW FROM CONNECTOR MOUNTING SIDE)



DIP TYPE

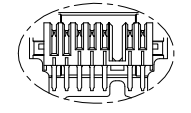
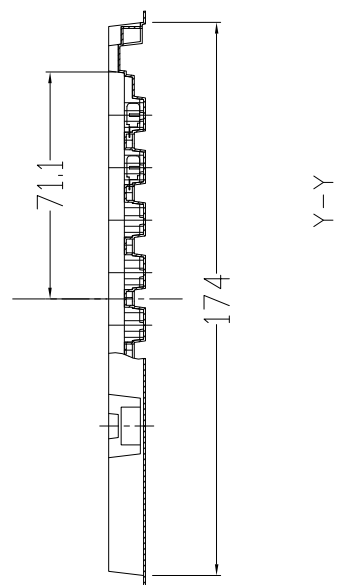
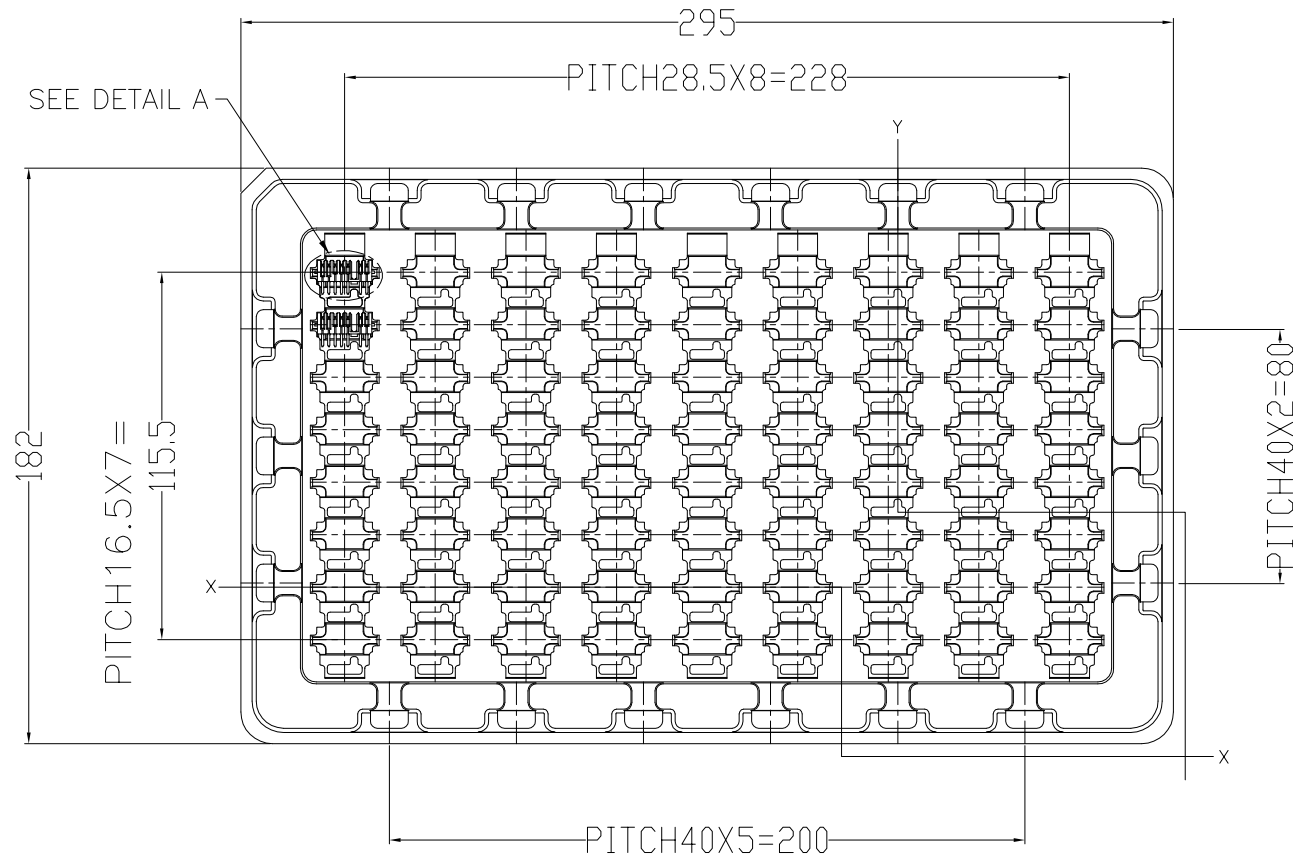
THERMOPLASTIC RESIN (HALOGEN FREE)	2.20	1827685-4
THERMOPLASTIC RESIN (HALOGEN FREE)	3.20	1827685-3
THERMOPLASTIC RESIN	2.20	1827685-2
THERMOPLASTIC RESIN	3.20	1827685-1
HOUSING MATERIAL	DIM T	P/N



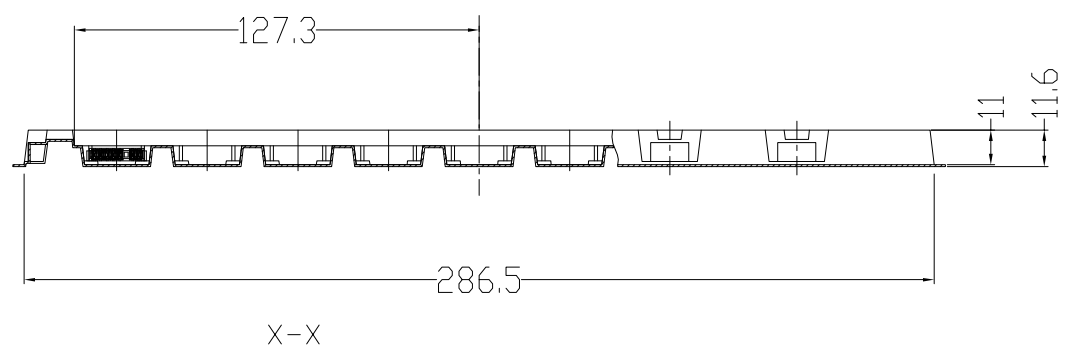
<small>THIS DRAWING IS A CONTROLLED DOCUMENT FOR TYCO ELECTRONICS CORPORATION. IT IS SUBJECT TO CHANGE AND THE CONTROLLING ENGINEERING ORGANIZATION SHOULD BE CONTACTED FOR THE LATEST REVISION.</small>		DWN T. KATANO 04JUL05 CHK T. KIMURA 04JUL05 APVD T. KIMURA 04JUL05		Tyco Electronics Tyco Electronics Corporation Shanghai, P.R.China, 200233	
DIMENSIONS: mm 		TOLERANCES UNLESS OTHERWISE SPECIFIED: ±0.3 0 PLC ± 1 PLC ±0.1 2 PLC ±0.01 3 PLC ±0.001 4 PLC ±0.0001 ANGLES ±3		NAME RECEPTACLE ASSEMBLY 7POS. REVERSE TYPE 2mm PITCH BATTERY CONNECTOR	
MATERIAL 1		FINISH 2		PRODUCT SPEC 108-78292 APPLICATION SPEC - WEIGHT -	
CUSTOMER DRAWING		SCALE 2:1		SHEET 1 OF 2 REV B	

THIS DRAWING IS UNPUBLISHED. RELEASED FOR PUBLICATION 20
 © COPYRIGHT 20 BY TYCO ELECTRONICS CORPORATION. ALL RIGHTS RESERVED.

LOC	DIST	REVISIONS			
P	LTR	DESCRIPTION	DATE	DWN	APVD
ES	-	SEE SHEET 1	-	-	-



DETAIL A
SCALE 1:1



1. 72PCS/TRAY

<small>THIS DRAWING IS A CONTROLLED DOCUMENT FOR TYCO ELECTRONICS CORPORATION IT IS SUBJECT TO CHANGE AND THE CONTROLLING ENGINEERING ORGANIZATION SHOULD BE CONTACTED FOR THE LATEST REVISION.</small>		DWN T.KATANO 04JUL05 CHK T.KIMURA 04JUL05 APVD T.KIMURA 04JUL05	Tyco Electronics Corporation Shanghai P.R.CHINA 200233
DIMENSIONS: mm	TOLERANCES UNLESS OTHERWISE SPECIFIED: ± 0.3 0-PLC ± 1-PLC ±0.1 2-PLC ±0.01 3-PLC ±0.001 4-PLC ±0.0001 ANGLES ±3	PRODUCT SPEC 108-78292 APPLICATION SPEC -	NAME RECEPTACLE ASSEMBLY 7POS. REVERSE TYPE 2mm PITCH BATTERY CONNECTOR
MATERIAL -	FINISH -	WEIGHT -	SIZE A3 CAGE CODE 00779 DRAWING NO ©=1827685 RESTRICTED TO -
CUSTOMER DRAWING		SCALE 2:1	SHEET 2 OF 2 REV B

单击下面可查看定价，库存，交付和生命周期等信息

[>>TE Connectivity\(泰科\)](#)