

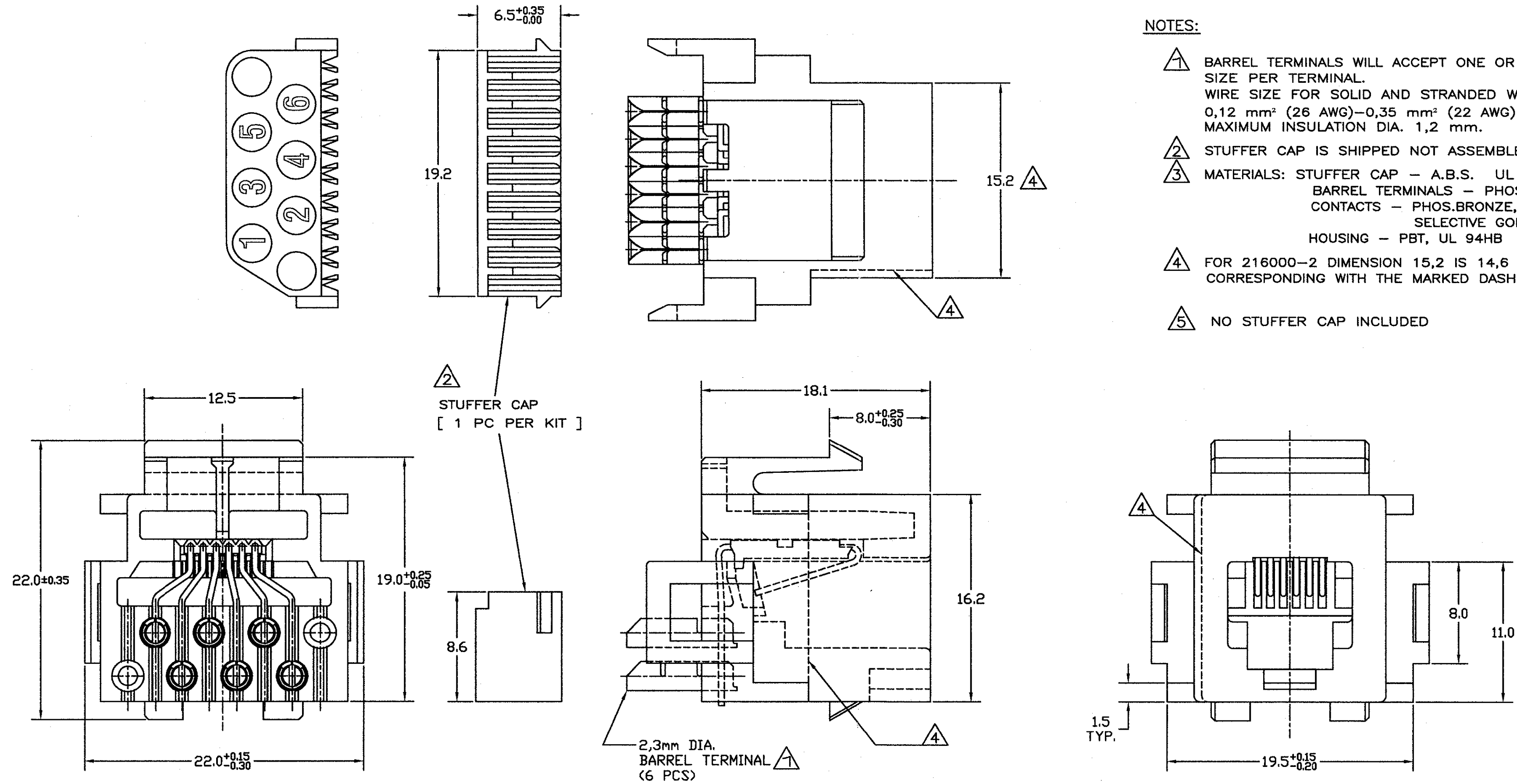
DO NOT SCALE  
DIMENSIONS IN mm

METRIC

THIRD ANGLE  
PROJECTION

NOTES:

- △ BARREL TERMINALS WILL ACCEPT ONE OR TWO WIRES OF THE SAME SIZE PER TERMINAL.  
WIRE SIZE FOR SOLID AND STRANDED WIRES:  
0,12 mm<sup>2</sup> (26 AWG)–0,35 mm<sup>2</sup> (22 AWG).  
MAXIMUM INSULATION DIA. 1,2 mm.
- △ 2 STUFFER CAP IS SHIPPED NOT ASSEMBLED.
- △ 3 MATERIALS: STUFFER CAP – A.B.S. UL 94HB  
BARREL TERMINALS – PHOS.BRONZE, PRE-TINPLATED.  
CONTACTS – PHOS.BRONZE, PLATED 1,25  
SELECTIVE GOLD OVER 1,25  
HOUSING – PBT, UL 94HB
- △ 4 FOR 216000-2 DIMENSION 15,2 IS 14,6 ,  
CORRESPONDING WITH THE MARKED DASH LINES
- △ 5 NO STUFFER CAP INCLUDED

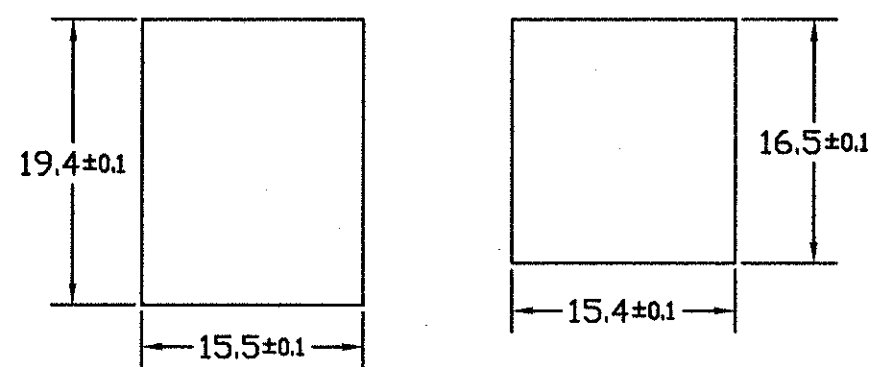


SUGGESTED PANEL CUTOUT DIMENSIONS

SCALE 2 : 1

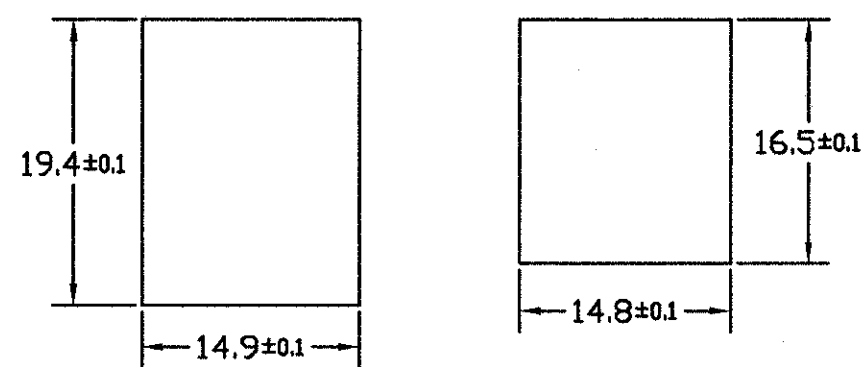
X-216000-1

X-216000-2, -3 AND -5



CUTOUT FOR  
BACK PANEL  
MOUNTING

CUTOUT FOR  
FRONT PANEL  
MOUNTING



CUTOUT FOR  
BACK PANEL  
MOUNTING

CUTOUT FOR  
FRONT PANEL  
MOUNTING

PANEL THICKNESS: 1,6 mm NOMINAL

TOLERANCE: ±0,15 UNLESS SPECIFIED OTHERWISE

OBSELETE

500 PCS. IN A BOX	SEE NOTE △ 3	HOUSING COLOR: BLACK SEE NOTE △ 3	△ 5 9-216000-3 216000-2 216000-1
PACKAGING	FINISH	MATERIAL	PARTNUMBER

CUSTOMER DRAWING FOR REFERENCE ONLY  
WILL NOT BE UPDATED

THIS DRAWING IS UNPUBLISHED  
RELEASED FOR PUBLICATION

**STE** TE Connectivity

R2	REVISED PER ECO-11-005294	RK	HMR	05APR11	TOOLLESS MODULAR JACK KIT
LTR.	REVISION RECORD	DR.	CHK.	DATE	6 POS., FOR DISCRETE WIRES
DR.: J.V.LIEMPT	CHK.: W.BRUMMANS	APP.: L. v. SOEST	DWG.No.	REV.LTR.	SHEET
DATE: 21 JAN 91	DATE:	DATE: 12 OCT 94	C-216000	R2	1 OF 1

11

10

9

8

7

6

5

4

3

2

1

单击下面可查看定价，库存，交付和生命周期等信息

[>>TE Connectivity\(泰科\)](#)