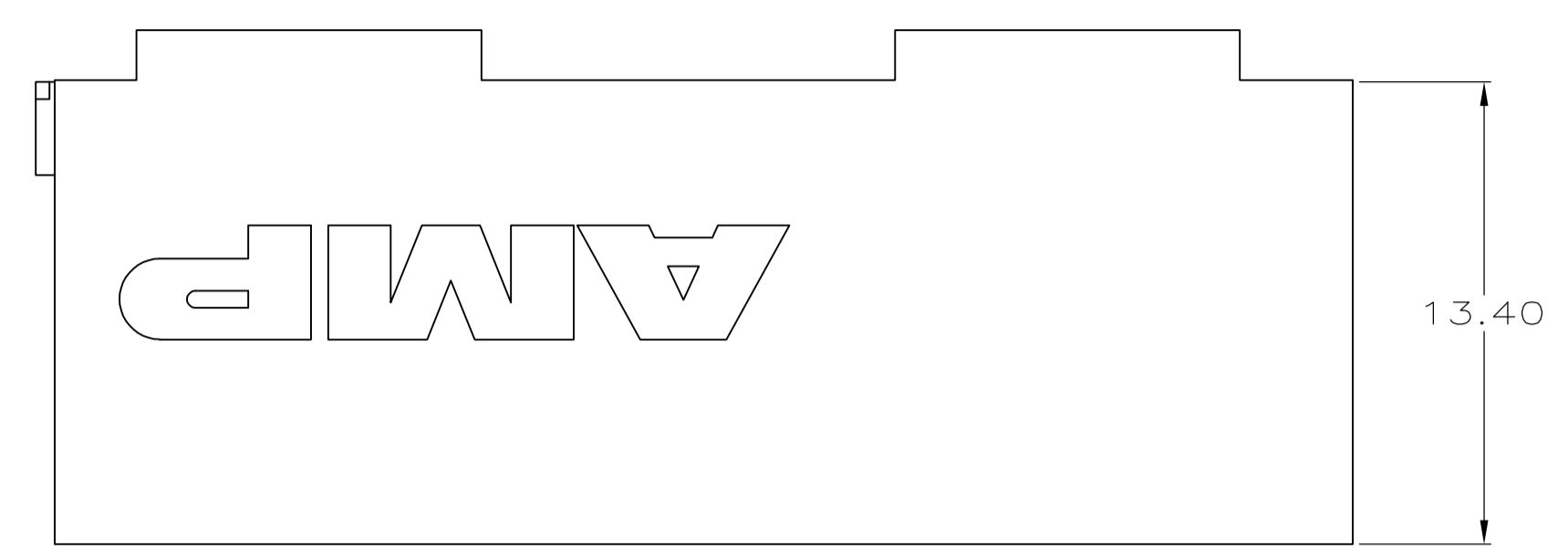
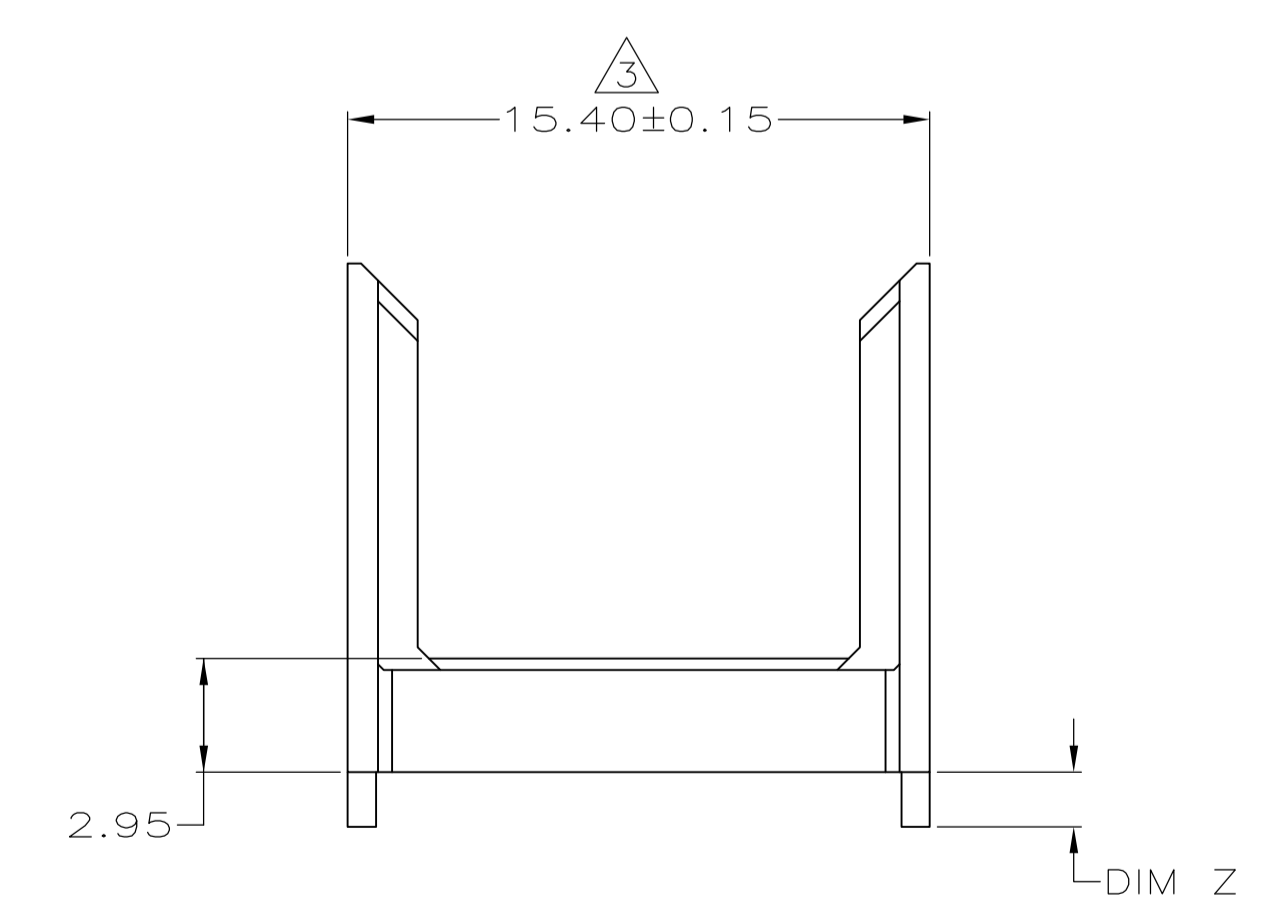
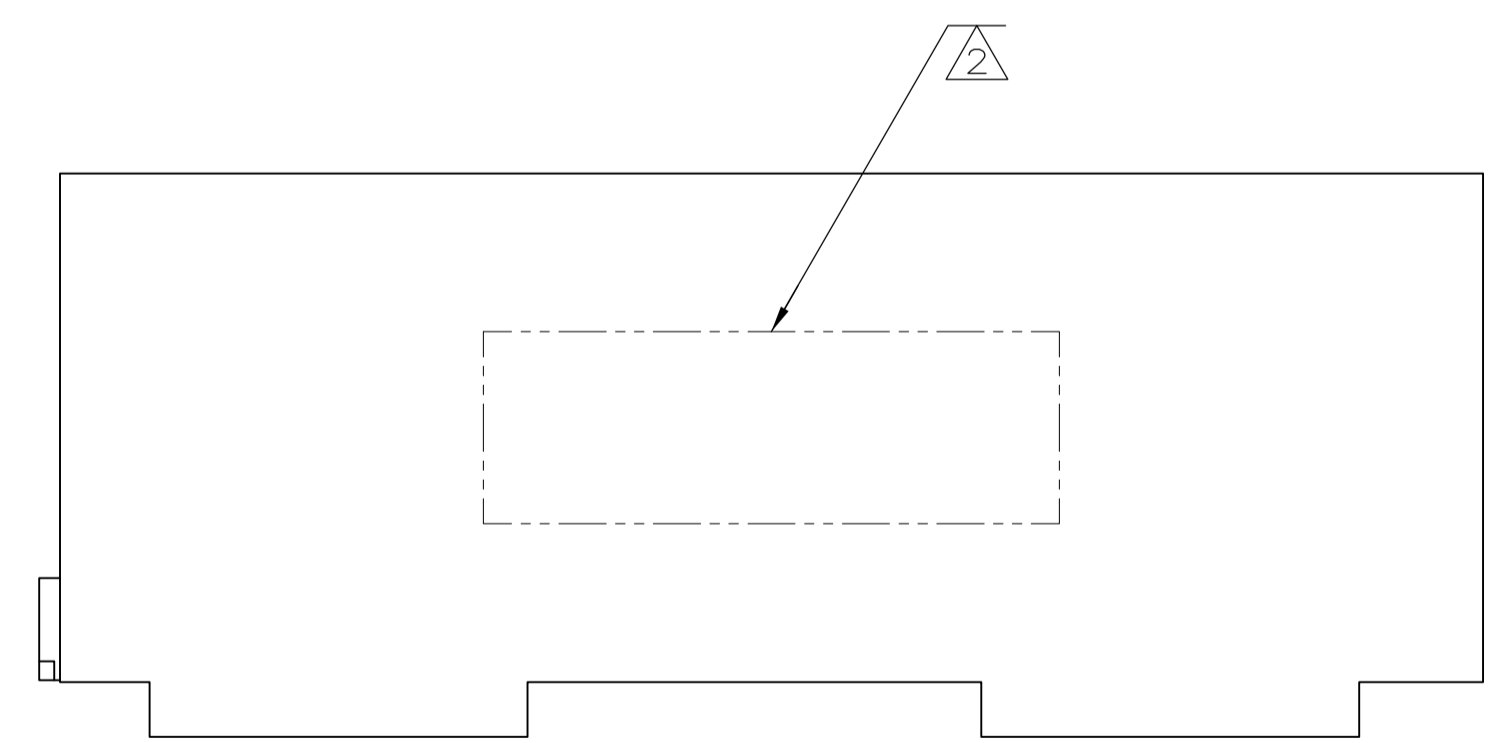
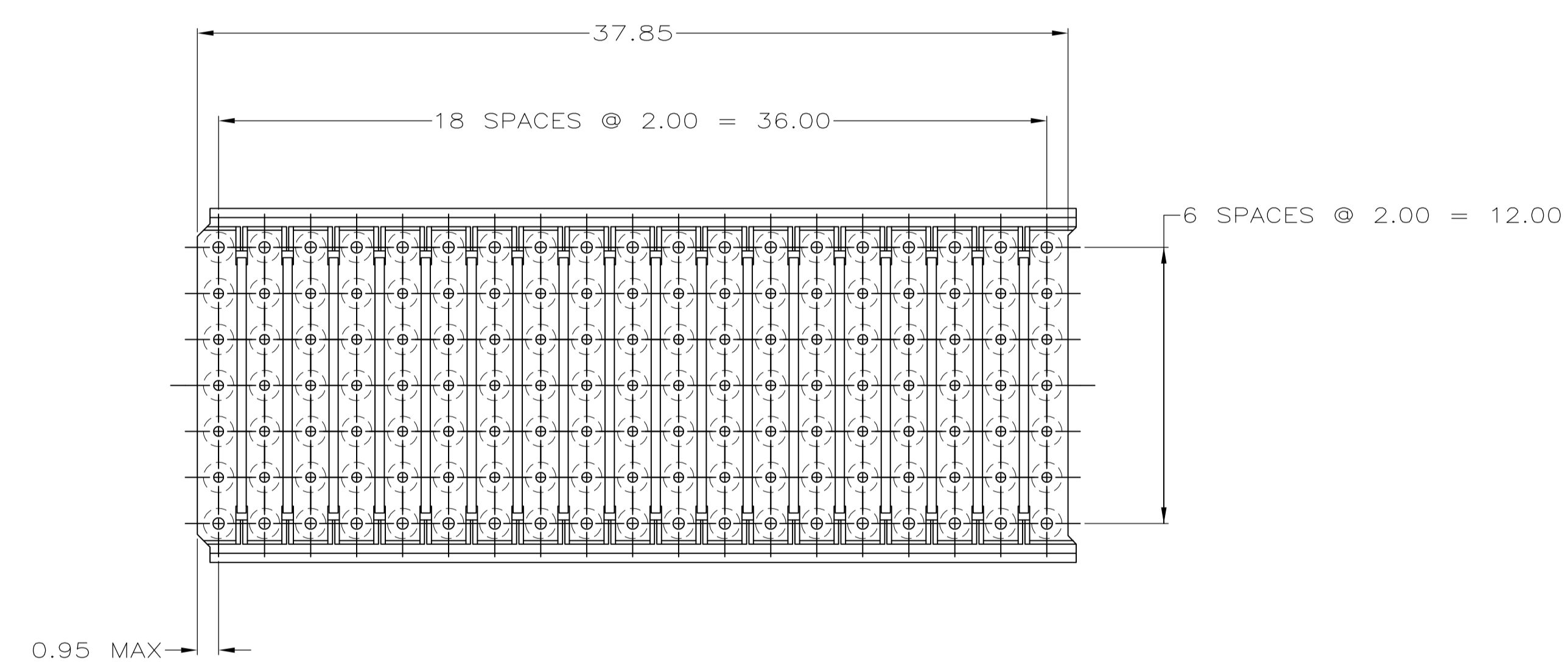


| LOC | | DIST | | REVISIONS | | | |
|-----|----|------|-----|---------------------------|---------|-----|------|
| AD | 47 | SP | LTR | DESCRIPTION | DATE | DWN | APVD |
| | | D1 | | REVISED PER ECO-10-026111 | 22DEC10 | RC | CW |



- ⚠ MATERIAL: GLASS FILLED POLYESTER.
- ⚠ PART NUMBER MARKED IN APPROXIMATE AREA SHOWN.
- ⚠ TO BE MEASURED AT BASE OF SHROUD.
- ⚠ OBSOLETE PARTS: OBSOLETE CIS STREAMLINING PER D.RENAUD/D.SINISI



| | | |
|------------|-------|-------------|
| ⚠ OBSOLETE | 1.90 | -646481-7 |
| | 1.70 | 646481-6 |
| | 1.50 | 646481-5 |
| ⚠ OBSOLETE | 1.30 | -646481-4 |
| | 1.10 | -646481-3 |
| ⚠ OBSOLETE | 0.90 | -646481-2 |
| | | 646481-1 |
| | DIM Z | PART NUMBER |

THIS DRAWING IS A CONTROLLED DOCUMENT

| | | | | | |
|-------------|--|------------------|------------|------------|---|
| DIMENSIONS: | TOLERANCES UNLESS OTHERWISE SPECIFIED: | DWN | T. SHUEY | 9-29-98 | Tyco Electronics Tyco Electronics corporation Harrisburg, PA 17105-3608 |
| mm | 0-PLC ± | CHK | G. SKIPPER | 11-23-98 | |
| | 1-PLC ± | APVD | G. SKIPPER | 11-23-98 | NAME SHROUD, TYPE B,Z-PACK 2mm HM, 5 ROW, 133 POSITION |
| | 2-PLC ±0.05 | PRODUCT SPEC | | | |
| | 3-PLC ± | APPLICATION SPEC | | | |
| | 4-PLC ± | WEIGHT | | | |
| MATERIAL | FINISH | SIZE | CAGE CODE | DRAWING NO | RESTRICTED TO |
| ⚠ | | A100779 | C= | 646481 | - |
| | | CUSTOMER DRAWING | SCALE | 5:1 | SHEET 1 OF 1 |

单击下面可查看定价，库存，交付和生命周期等信息

[>>TE Connectivity\(泰科\)](#)