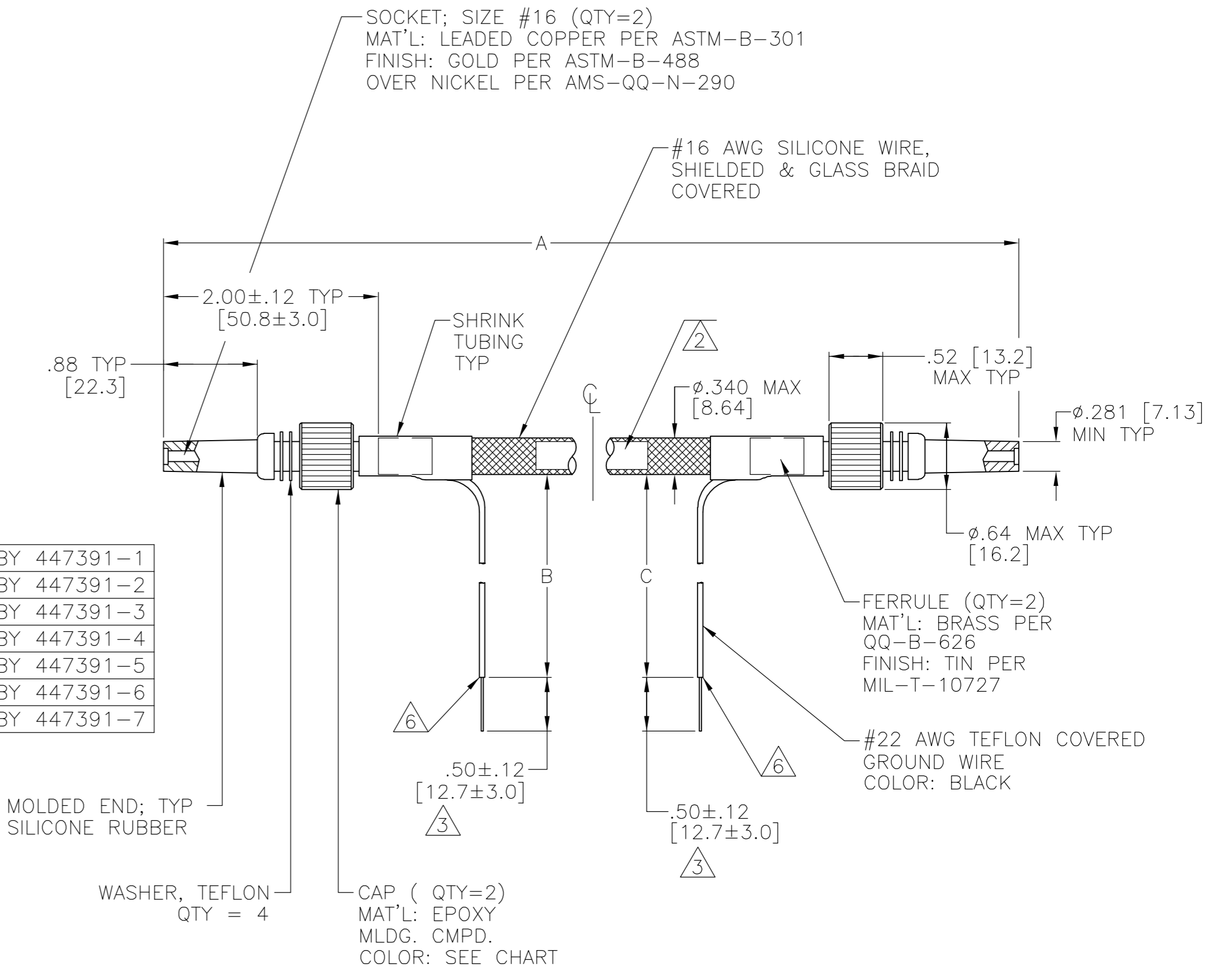


THIS DRAWING IS UNPUBLISHED. RELEASED FOR PUBLICATION - N/A .
 © COPYRIGHT N/A BY TYCO ELECTRONICS CORPORATION. ALL RIGHTS RESERVED.

LOC		DIST		REVISIONS			
P	LTR	DESCRIPTION		DATE	DWN	APVD	
DF	SO	W	REV PER ECO-05-002357	08-05	AA	DE	

PART NO.	A ¹	B ¹	C ¹	CAP COLOR	REMARKS
849104-1	24.00 [609.6]	6.00 [152.4]	-	RED	³ OBSOLETE
849104-2	96.00 [2438.4]	6.00 [152.4]	-	RED	³
849104-3	48.00 [1219.2]	6.00 [152.4]	-	RED	³
849104-4	15.00 [381.0]	6.00 [152.4]	-	RED	³ OBSOLETE
849104-5	8.00 [203.2]	6.00 [152.4]	-	RED	³
849104-6	120.00 [3048.0]	6.00 [152.4]	-	RED	³
849104-7	240.00 [6096.0]	6.00 [152.4]	-	RED	³ OBSOLETE
849104-8	10.00 [254.0]	6.00 [152.4]	-	RED	³
849104-9	72.00 [1828.8]	6.00 [152.4]	6.00 [152.4]	RED	³ OBSOLETE
1-849104-0	80.00 [2032.0]	20.00 [508.0]	20.00 [508.0]	RED	³ OBSOLETE
1-849104-1	26.00 [660.4]	6.00 [152.4]	6.00 [152.4]	RED	³ OBSOLETE
1-849104-2	14.00 [355.6]	6.00 [152.4]	6.00 [152.4]	RED	³ OBSOLETE
1-849104-3	144.00 [3657.6]	6.00 [152.4]	6.00 [152.4]	RED	³ OBSOLETE
1-849104-4	216.00 [5486.4]	6.00 [152.4]	6.00 [152.4]	RED	³ OBSOLETE
1-849104-5	18.00 [457.2]	6.00 [152.4]	-	RED	³
1-849104-6	24.00 [609.6]	6.00 [152.4]	6.00 [152.4]	RED	³ OBSOLETE
1-849104-7	36.00 [914.4]	6.00 [152.4]	-	RED	³
1-849104-8	300.00 [7620.0]	6.00 [152.4]	-	RED	³ OBSOLETE
1-849104-9	36.00 [914.4]	6.00 [152.4]	6.00 [152.4]	RED	³
2-849104-0	180.00 [4572.0]	6.00 [152.4]	6.00 [152.4]	RED	³ OBSOLETE
2-849104-1	39.00 [990.6]	6.00 [152.4]	6.00 [152.4]	RED	³ OBSOLETE
2-849104-2	840.00 [21336.0]	6.00 [152.4]	6.00 [152.4]	RED	³ OBSOLETE
2-849104-3	600.00 [15240.0]	6.00 [152.4]	6.00 [152.4]	RED	³ OBSOLETE
2-849104-4	60.00 [1524.0]	6.00 [152.4]	6.00 [152.4]	RED	³ OBSOLETE
2-849104-5	19.00 [482.6]	6.00 [152.4]	-	GREEN	³ SUPERSEDED BY 447391-1
2-849104-6	27.00 [685.8]	6.00 [152.4]	-	GREEN	³ SUPERSEDED BY 447391-2
2-849104-7	35.00 [889.0]	6.00 [152.4]	-	GREEN	³ SUPERSEDED BY 447391-3
2-849104-8	42.00 [1066.8]	6.00 [152.4]	-	GREEN	³ SUPERSEDED BY 447391-4
2-849104-9	51.00 [1295.4]	6.00 [152.4]	-	GREEN	³ SUPERSEDED BY 447391-5
3-849104-0	59.00 [1498.6]	6.00 [152.4]	-	GREEN	³ SUPERSEDED BY 447391-6
3-849104-1	67.00 [1701.8]	6.00 [152.4]	-	GREEN	³ SUPERSEDED BY 447391-7
5-849104-3	48.00 [1219.2]	6.00 [152.4]	-	RED	⁶
6-849104-7	36.00 [914.4]	6.00 [152.4]	-	RED	⁶



- ¹ TOLERANCE OF LEAD LENGTH:
UP TO 24 INCHES [609.6] = ±.12 [±3.0]
24 INCHES [609.6] & UP = ±1%
- ² MARKED PER MIL-STD-130.
- ³ PIGTAILS ARE SOLDER DIPPED.
- 4. TO MATE WITH AMP LGH-1 RECEPTACLE WITH .88 [22.3] BARREL DEPTH.
- 5. OPERATING VOLTAGE: 20 KVDC AT 0 TO 70,000 FEET, -55°C TO 125°C.
- ⁶ INSULATION CUT, BUT NOT REMOVED.

THIS DRAWING IS A CONTROLLED DOCUMENT.		DWN	15-JUN-90	 Tyco Electronics Corporation Harrisburg, Pa 17105-3608
DIMENSIONS: INCHES [mm]		CHK	16-JUL-90	
TOLERANCES UNLESS OTHERWISE SPECIFIED:		APVD	16-JUL-90	
MATERIAL SEE CALLOUTS		NAME	D.OPLINGER	
FINISH SEE CALLOUTS		PRODUCT SPEC	LEAD ASSY	
SEE CALLOUTS		APPLICATION SPEC	DBL END, SHIELDED & GLASS BRAID JACKET	
CUSTOMER DRAWING		WEIGHT	LGH-1	
SCALE 1:1		SIZE	CAGE CODE	DRAWING NO
SHEET 1 OF 1		A2	00779	C=849104
REV W		RESTRICTED TO		

单击下面可查看定价，库存，交付和生命周期等信息

[>>TE Connectivity\(泰科\)](#)