

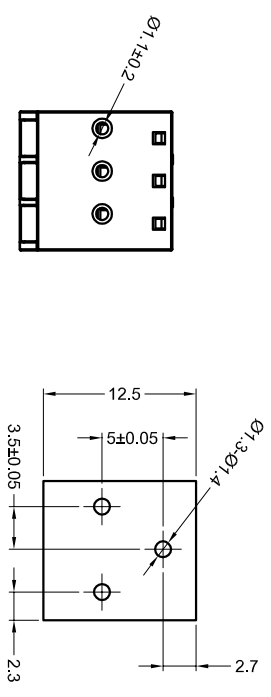
REVISONS		DATE	BY	APP'D
NO.	DESCRIPTION			
P	LTR			
A	FIRST VERSION			

NOTES :

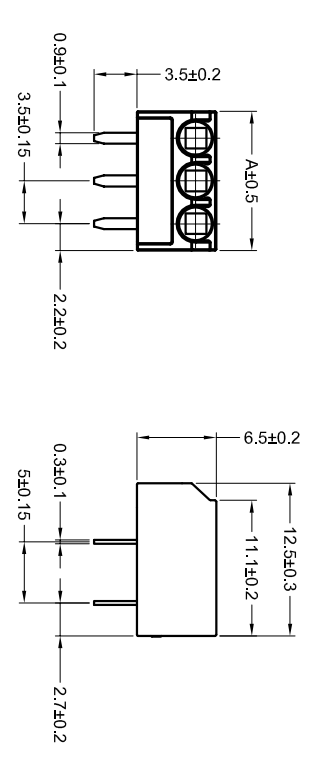
- △ MATERIALS AND FINISH:
  - HOUSING: PA66
  - CONTACTS: COPPER ALLOY, FINISH: TIN OVER NICKEL UNDERPLATE

2. MUST COMPLY WITH DIRECTIVE 2002/95/EC (ROHS)
3. WIRE TYPES AND SIZES ACCEPTED  
 WIRE RANGE: 16AWG~20AWG.  
 STRIP LENGTH: 7.5mm~8.5mm
4. PACKAGED IN TRAY.
5. CURRENT RATING: 6Amp AC300V.
6. OPERATION TEMPERATURE: -40°C TO +105°C

P/N: \*-2834019-\*



PCB Layout



COLOR CODE: \_\_\_\_\_ PIN No: \_\_\_\_\_

- |          |          |
|----------|----------|
| 1=GREEN  | 2=2 POSN |
| 2=BLUE   | 3=3 POSN |
| 3=BROWN  | 4=4 POSN |
| 4=ORANGE | 5=5 POSN |
| 5=GREY   | 6=6 POSN |
| 6=RED    | 7=7 POSN |
| 7=YELLOW | 8=8 POSN |
| 8=PURPLE |          |
| 9=WHITE  |          |
| 0=BLACK  |          |

REMARK: THE DIFFERENT COLORS COULD BE COMBINED TO THE NEW CONNECTOR P/Ns FOR CUSTOMER REQUEST.

28.90	8 POSN	NO. OF POSITIONS
25.40	7 POSN	
21.90	6 POSN	
18.40	5 POSN	
14.90	4 POSN	
11.40	3 POSN	
7.90	2 POSN	
A		

THIS DRAWING IS A CONTROLLED DOCUMENT.

DESIGNER	CHK	DATE
SHI MING	SHI MING	14JAN2015

REV	DATE	DESCRIPTION
1	109-137093	REVISED TO
2	114-137093	REVISED TO

3.50mm Pitch Modular Screwless Conn.

SIZE: A2 CODE: 00779

SCALE: 1:1

DATE: 14JAN2015

REV: A



TE Connectivity

单击下面可查看定价，库存，交付和生命周期等信息

[>>TE Connectivity\(泰科\)](#)