

**Raychem****SPECIFICATION  
CONTROL DRAWING**

Product Name

ECA-0133

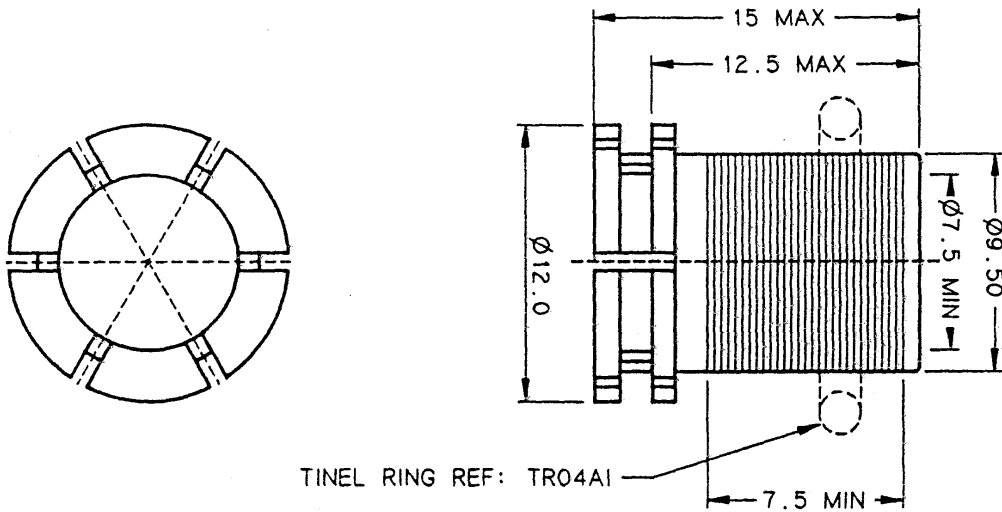
Date

11 JAN 1990

Revision

C

## SPIGOT LARGE SIZE



- THIS SPIGOT IS DESIGNED TO BE MOUNTED ON MULTIWAY BACKSHELLS : - ECA-0129  
- ECA-0130
- TO BE USED WITH TINEL RING TR04A1
- TINEL RING SHOWN FOR REFERENCE ONLY- MUST BE ORDERED SEPERATELY
- MATERIAL: ALUMINUM ALLOY
- FINISH: CADMIUM PLATED PER QQ-P-416
- TOLERANCES: UNLESS OTHERWISE SPECIFIED  
.XX±.2  
.X±.5  
X±1

If this document is printed it becomes uncontrolled.  
Check with the web for latest revision.

Dimensions are in millimeters

DRAWN

R TREADWELL

Engineering

R. Treadwell

APPROVED

A POMEY

Product Manager

My

REPLACES

APPROVED

C ROLLAND

Development

Rolland

APPROVED

P GUILLON

Quality Assurance

Guillon

PROJECT NUMBER

单击下面可查看定价，库存，交付和生命周期等信息

[>>TE Connectivity\(泰科\)](#)