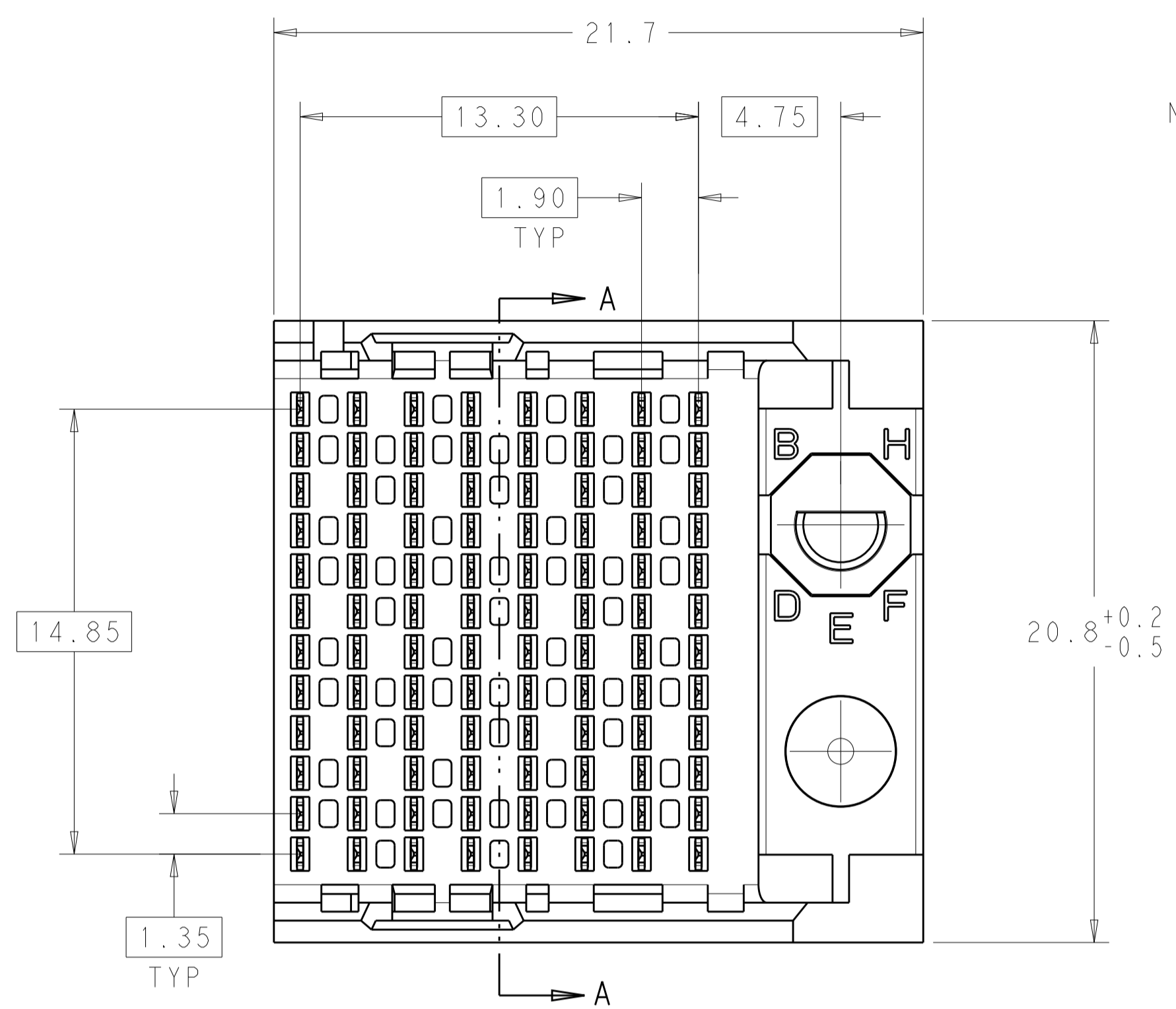
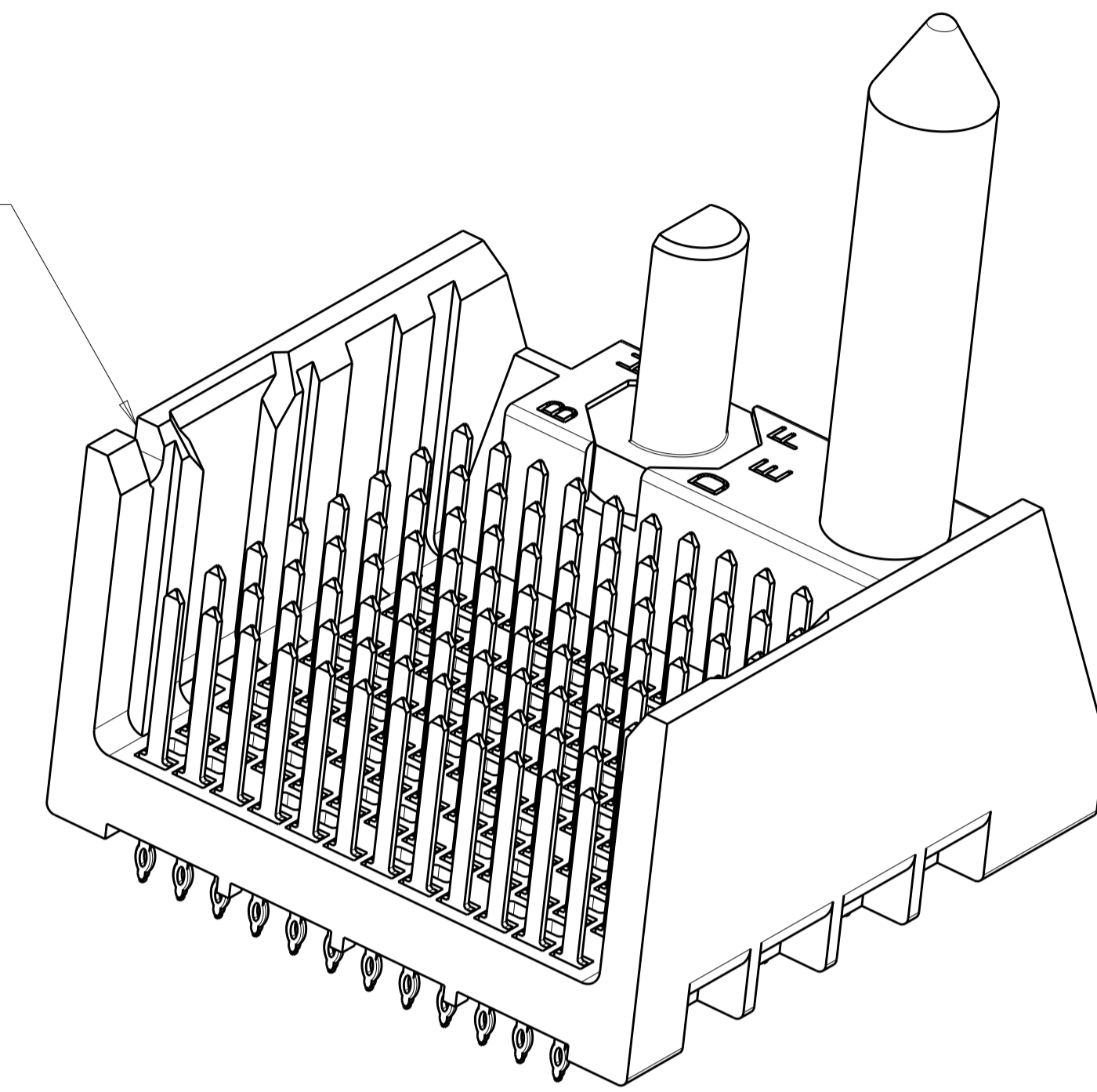


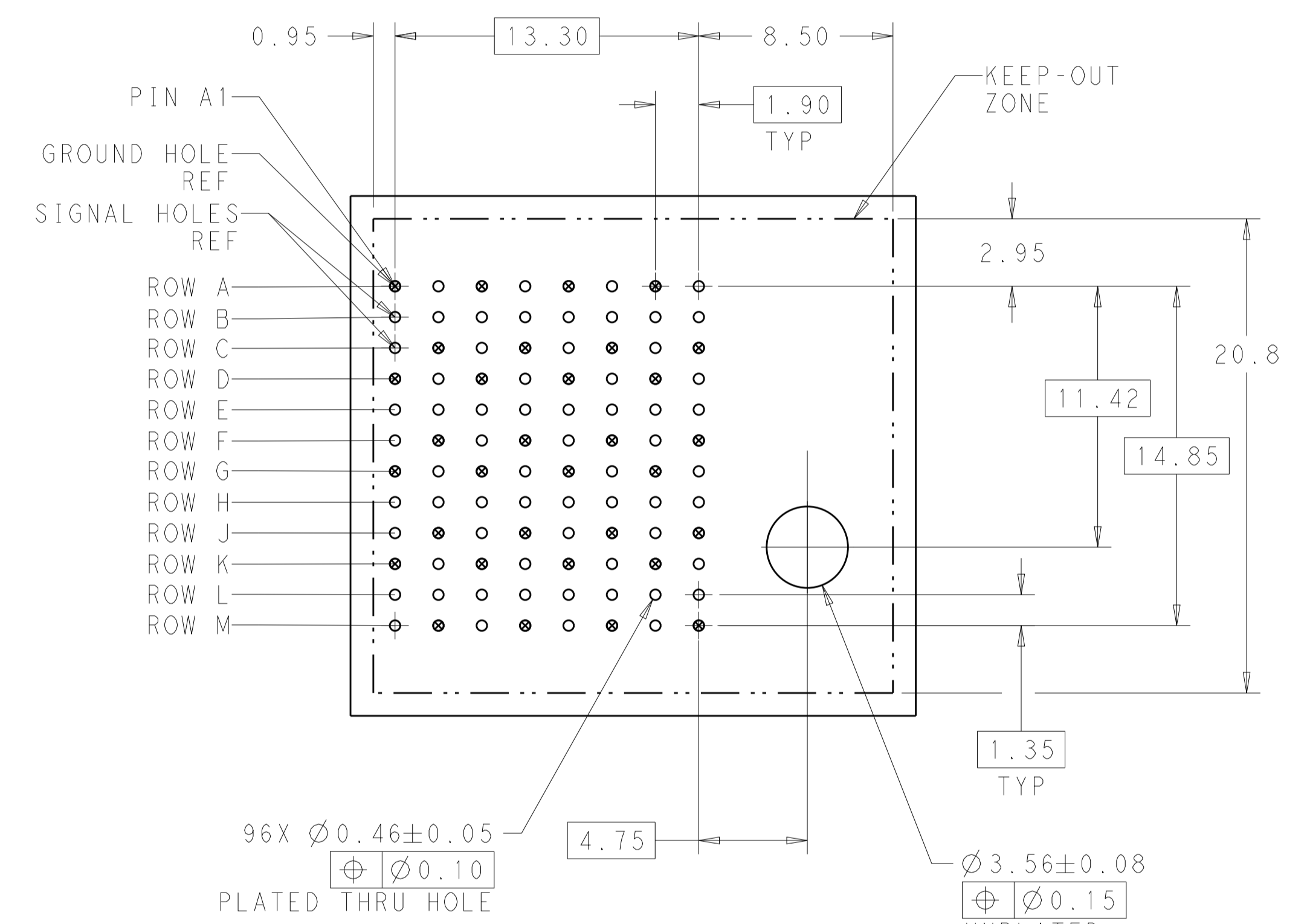
LOC		DIST		REVISIONS			
AD	00	P	LTM	DESCRIPTION	DATE	DWN	APVD
		A1		REVISED PER ECO-15-001494	05FEB2015	AP	DD



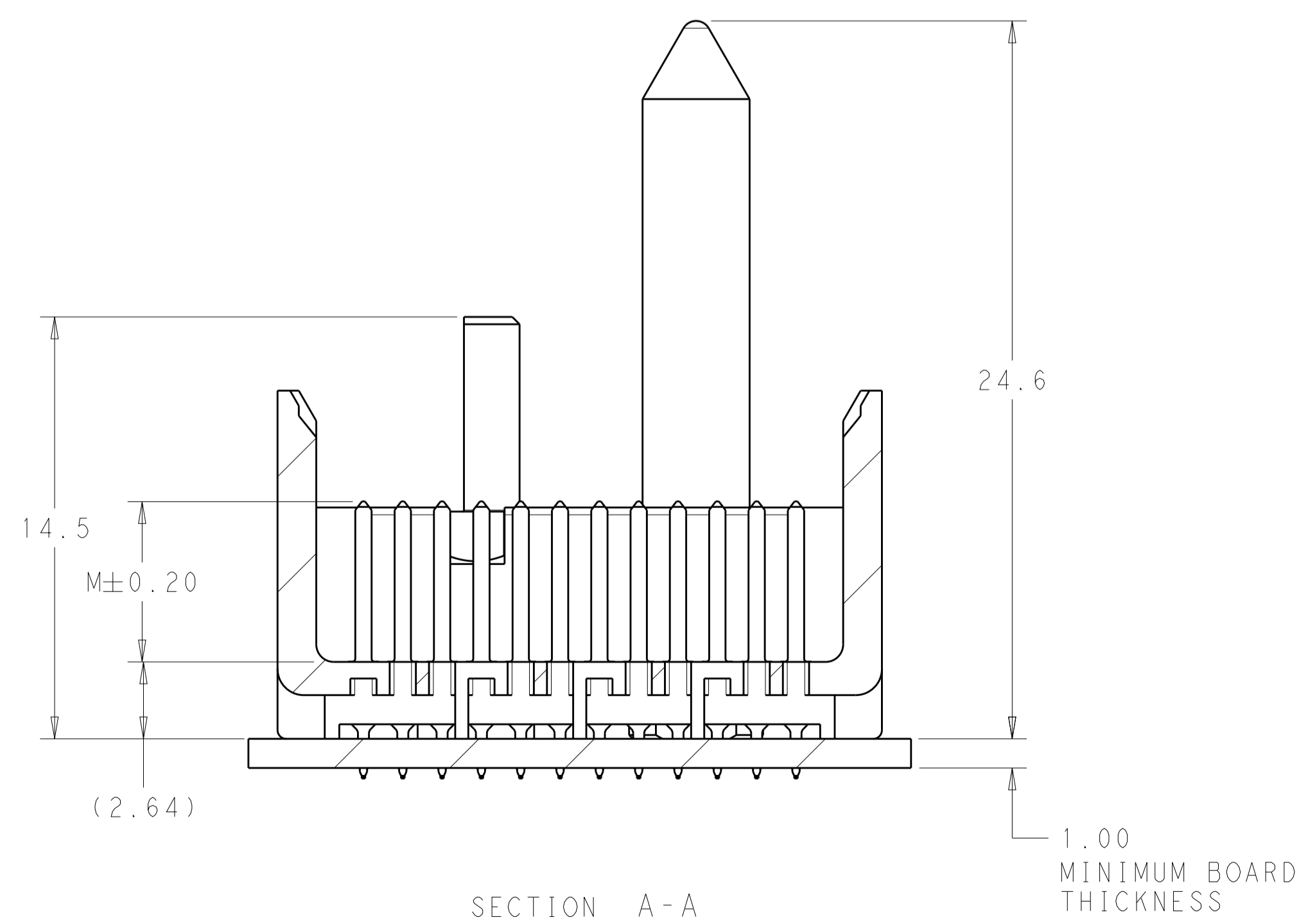
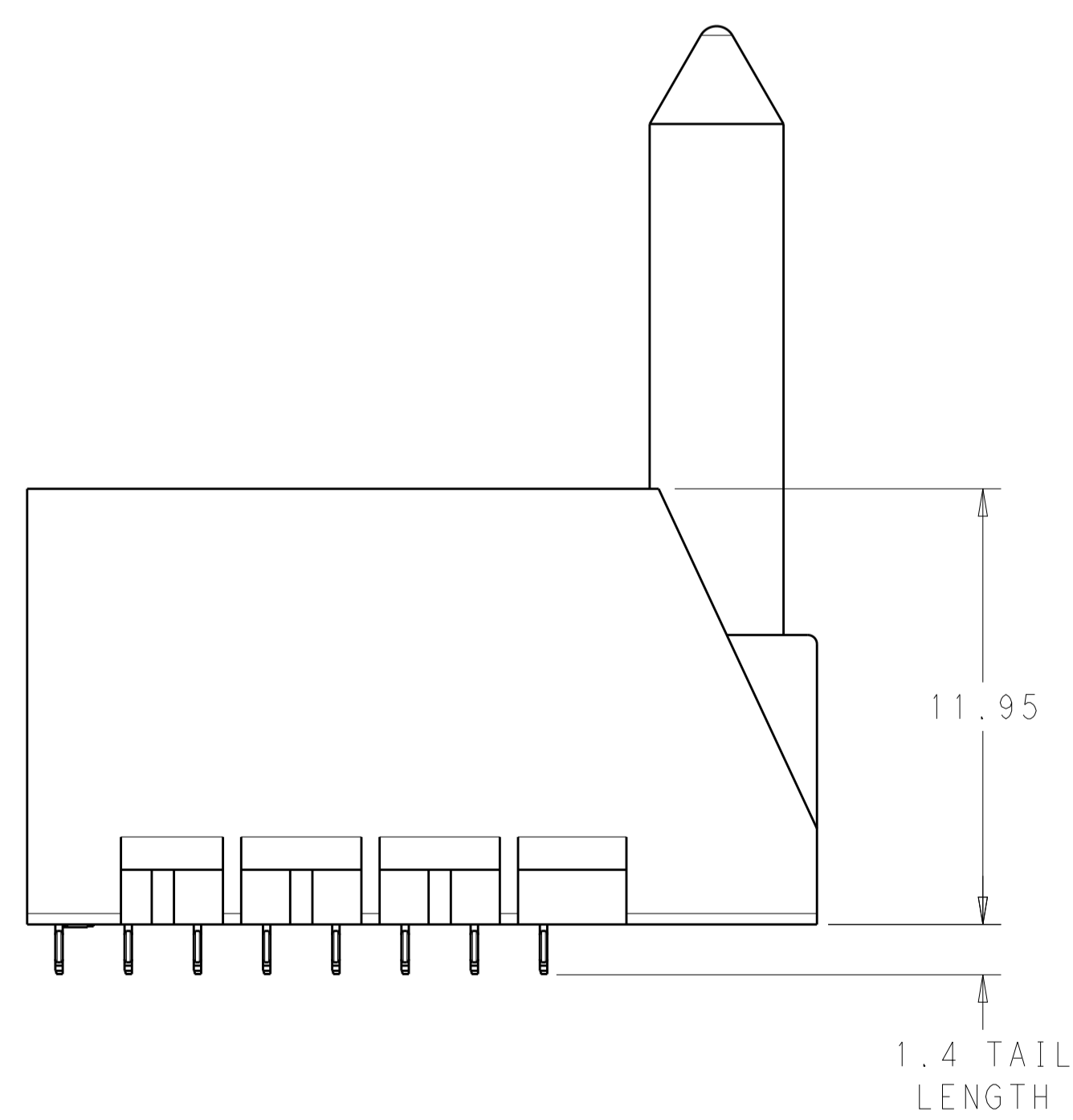
NOTCH DESIGNATES ROW A



- △ MATERIAL:
HOUSING: LCP, GLASS FILLED, UL94V-0.
TERMINALS: HIGH PERFORMANCE COPPER ALLOY.
- △ FINISH:
30μ" MIN GOLD IN CONTACT AREA. SELECTIVE TIN ON PCB TAILS, NICKEL OVERALL.
- 3. SCREWS PACKAGED IN END OF PACKAGING TUBE.
- △ FOR GROUNDED GUIDE PIN USE $\varnothing 3.56 \pm 0.08$ PTH, $\varnothing 3.66$ DRILL, AND $\varnothing 6.5$ PAD.
- 5. KEYING PIN SHOWN IN POSITION A, SEE KEYING CHART ON SHEET 2 FOR OTHER POSITIONS.



RIGHT GUIDED BACKPLANE HOLE PATTERN (CONNECTOR SIDE)



THIS DRAWING IS A CONTROLLED DOCUMENT.		DWN: R. GRZYBOWSKI 03OCT2011	TE Connectivity
DIMENSIONS: mm		CHK: J. EARY 03OCT2011	
TOLERANCES UNLESS OTHERWISE SPECIFIED:		APVD: J. EARY 03OCT2011	
0 PLC ± 1 PLC ±0.25 2 PLC ±0.13 3 PLC ± 4 PLC ± ANGLES ±		NAME: IMPACT, 4 PAIR, 8 COLUMN, HEADER RIGHT GUIDED, OPEN END WALL SIGNAL MODULE, 0.46 PTH	
MATERIAL: △	FINISH: SEE TABLE	WEIGHT: -	RESTRICTED TO: -
CUSTOMER DRAWING		SIZE: A1	SCALE: 6:1 SHEET 1 OF 2 REV: A1

LOC		DIST		REVISIONS			
AD	00	REV	LTN	DESCRIPTION	DATE	DWN	APVD
-	-	-	-	SEE SHEET 1	-	-	-



	H	5.5	8-2057438-3
	H	4.9	8-2057438-2
	H	4.5	8-2057438-1
	G	5.5	7-2057438-3
	G	4.9	7-2057438-2
	G	4.5	7-2057438-1
	F	5.5	6-2057438-3
	F	4.9	6-2057438-2
	F	4.5	6-2057438-1
	E	5.5	5-2057438-3
	E	4.9	5-2057438-2
	E	4.5	5-2057438-1
	D	5.5	4-2057438-3
	D	4.9	4-2057438-2
	D	4.5	4-2057438-1
	C	5.5	3-2057438-3
	C	4.9	3-2057438-2
	C	4.5	3-2057438-1
	B	5.5	2-2057438-3
	B	4.9	2-2057438-2
	B	4.5	2-2057438-1
	A	5.5	1-2057438-3
	A	4.9	1-2057438-2
	A	4.5	1-2057438-1
	-	5.5	2057438-3
	-	4.9	2057438-2
	-	4.5	2057438-1
FINISH	KEY POSITION	DIM M	PART NUMBER

REFER TO WWW.TE.COM
FOR PRODUCT AVAILABILITY

THIS DRAWING IS A CONTROLLED DOCUMENT.		DWN - 03OCT2011	TE Connectivity
DIMENSIONS: mm		CHK J. EARY 03OCT2011	
TOLERANCES UNLESS OTHERWISE SPECIFIED:		APVD J. EARY 03OCT2011	
0 PLC ±0.25 1 PLC ±0.13 2 PLC ±0.13 3 PLC ±0.13 4 PLC ±0.13 ANGLES ±0.13 FINISH SEE TABLE		NAME: IMPACT, 4 PAIR, 8 COLUMN, HEADER RIGHT GUIDED, OPEN END WALL SIGNAL MODULE, 0.46 PTH SIZE: A1 CAGE CODE: 00779 DRAWING NO: C=2057438 RESTRICTED TO: - WEIGHT: - CUSTOMER DRAWING	
SCALE 5:1		SHEET 2 OF 2	REV A1

单击下面可查看定价，库存，交付和生命周期等信息

[>>TE Connectivity\(泰科\)](#)