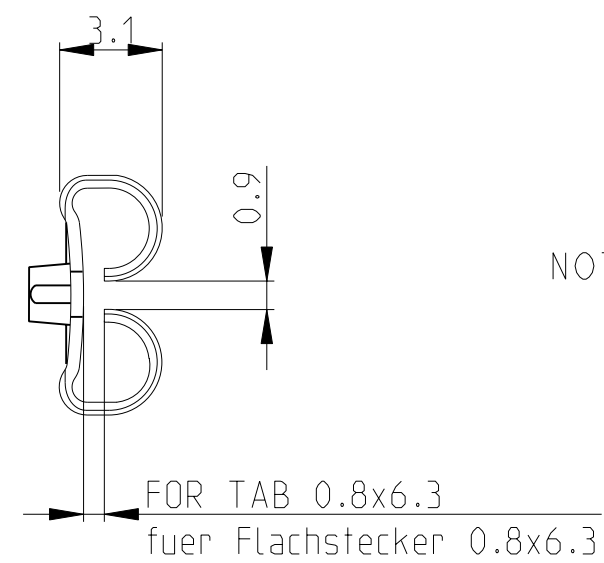
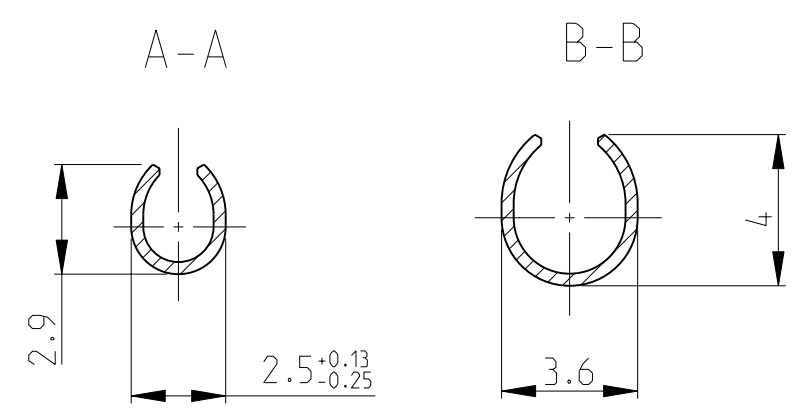
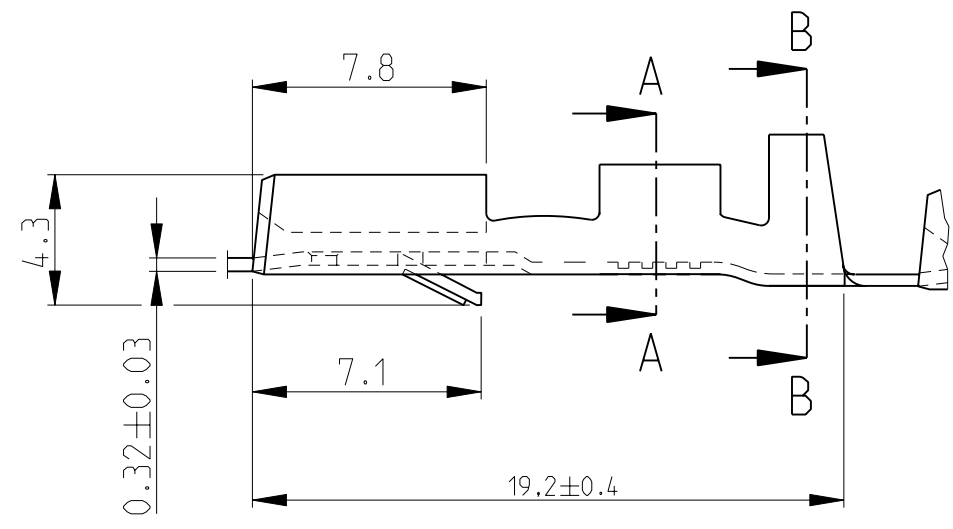


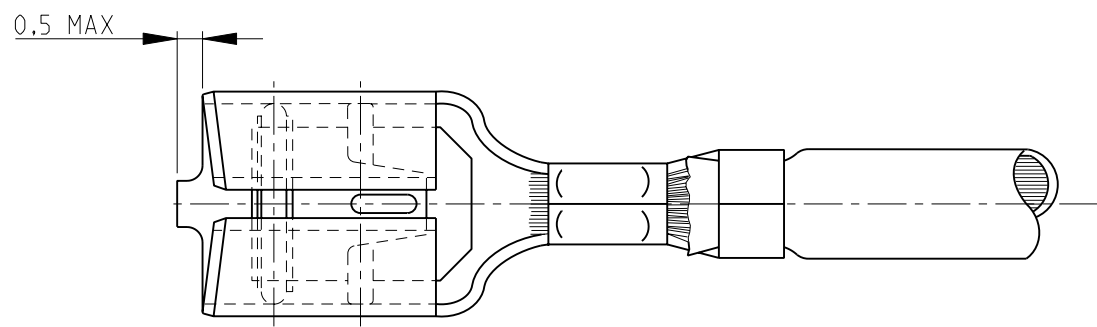
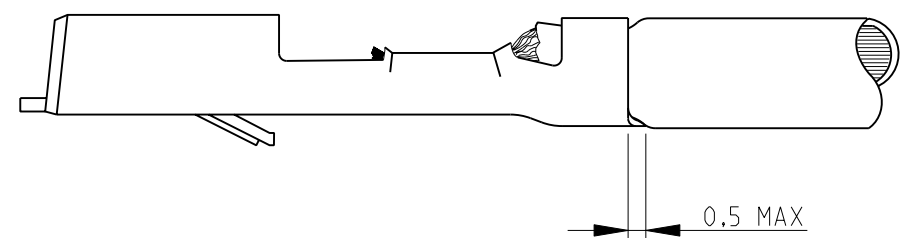
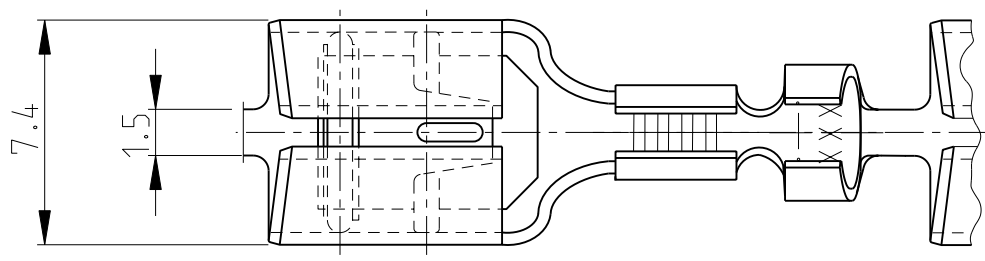
THIS DRAWING IS UNPUBLISHED. RELEASED FOR PUBLICATION 2008
 © COPYRIGHT 2008 BY TYCO ELECTRONICS CORPORATION. ALL RIGHTS RESERVED.

LOC		DIST		REVISIONS			
P	LTR	DESCRIPTION	DATE	DWN	APVD		
A1	-	AN	07JUL2008	Abr	Goep	NEW CAD DRAWING CREATED	
		AN1	04JAN10	KK	AEG	REVISED PER ECO-10-000030	



SPECIAL PREFORMING
 FOR HAND TOOL 825514
 Spezial Vorformung
 fuer Handzange 825514

NOTE:
 1 OBSOLETE PARTS: OBSOLETE CIS STREAMLINING PER D.RENAUD/D.SINISI



WIRE CRIMP	INSULATION CRIMP	STRIP NO.	FINISH	MATERIAL	LP NO.	REV.
.090 F	.130 F	6-160526-0	SILVERPLATED	CuSn4 F56	925603-5	FOR CURRENT REV SEE STRIP DRW aktuelle Rev.siehe Streifenzeichnung
		160526-4	TINPLATED	CuSn4 F56	925603-4	
		5-160526-8	PLAIN	CuSn4 F56	△925603-3	
		5-160526-7	TINPLATED	CuZn30 F53	925603-2	
		5-160526-6	PLAIN	CuZn30 F53	925603-1	
WIRE RANGE 0.5 - 1.5 mm ²	INSULATION RANGE Ø2.3 - 3.3 mm					

THIS DRAWING IS A CONTROLLED DOCUMENT FOR TYCO ELECTRONICS CORPORATION IT IS SUBJECT TO CHANGE AND THE CONTROLLING ENGINEERING ORGANIZATION SHOULD BE CONTACTED FOR THE LATEST REVISION.

DIMENSIONS: mm	TOLERANCES UNLESS OTHERWISE SPECIFIED: 0 PLC ± 1 PLC ± ±0.25 2 PLC ± 3 PLC ± 4 PLC ± ANGLES ±1.5°	DWN Abraham.G. 07JUL2008 CHK Goeppl.C. 07JUL2008 APVD Bleicher.M. 08JUL2008	Tyco Electronics Tyco Electronics AMP GmbH 64625 Bensheim (Germany)
MATERIAL -	FINISH -	PRODUCT SPEC - APPLICATION SPEC - WEIGHT -	NAME FASTIN-ON REC. .250 SERIES Fastin -on Flachsteckhuelse Ser. 6.3
CUSTOMER DRAWING		SIZE A3	RESTRICTED TO -
		CAGE CODE 00779	DRAWING NO. 925603
		SCALE -	SHEET 1 OF 1
		REV AN1	

单击下面可查看定价，库存，交付和生命周期等信息

[>>TE Connectivity\(泰科\)](#)