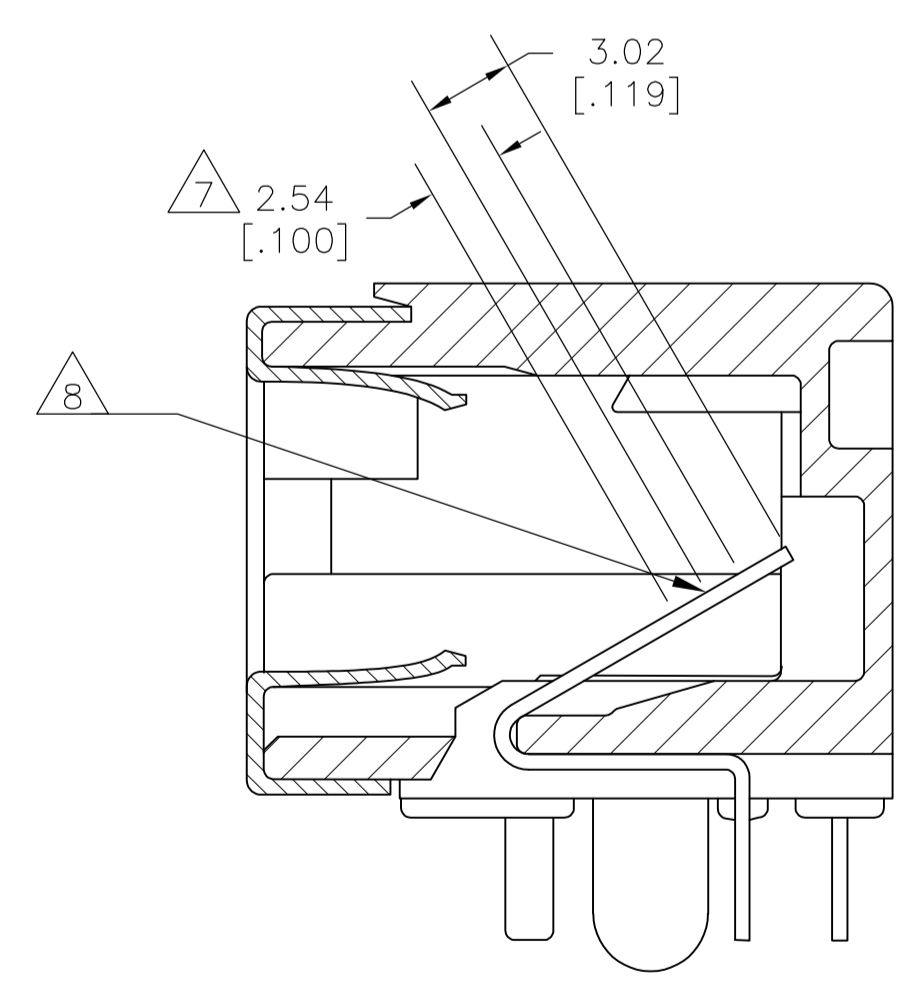
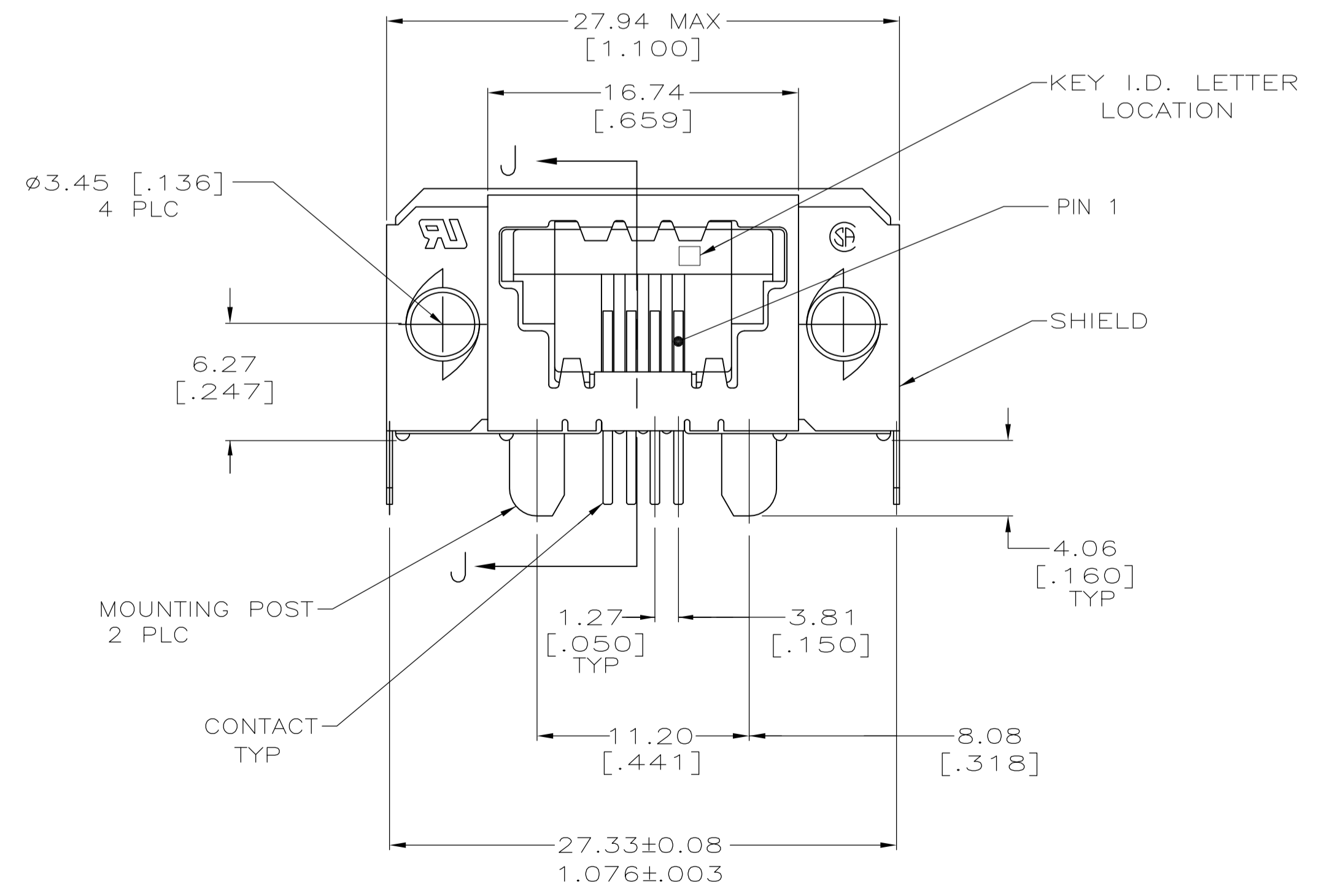
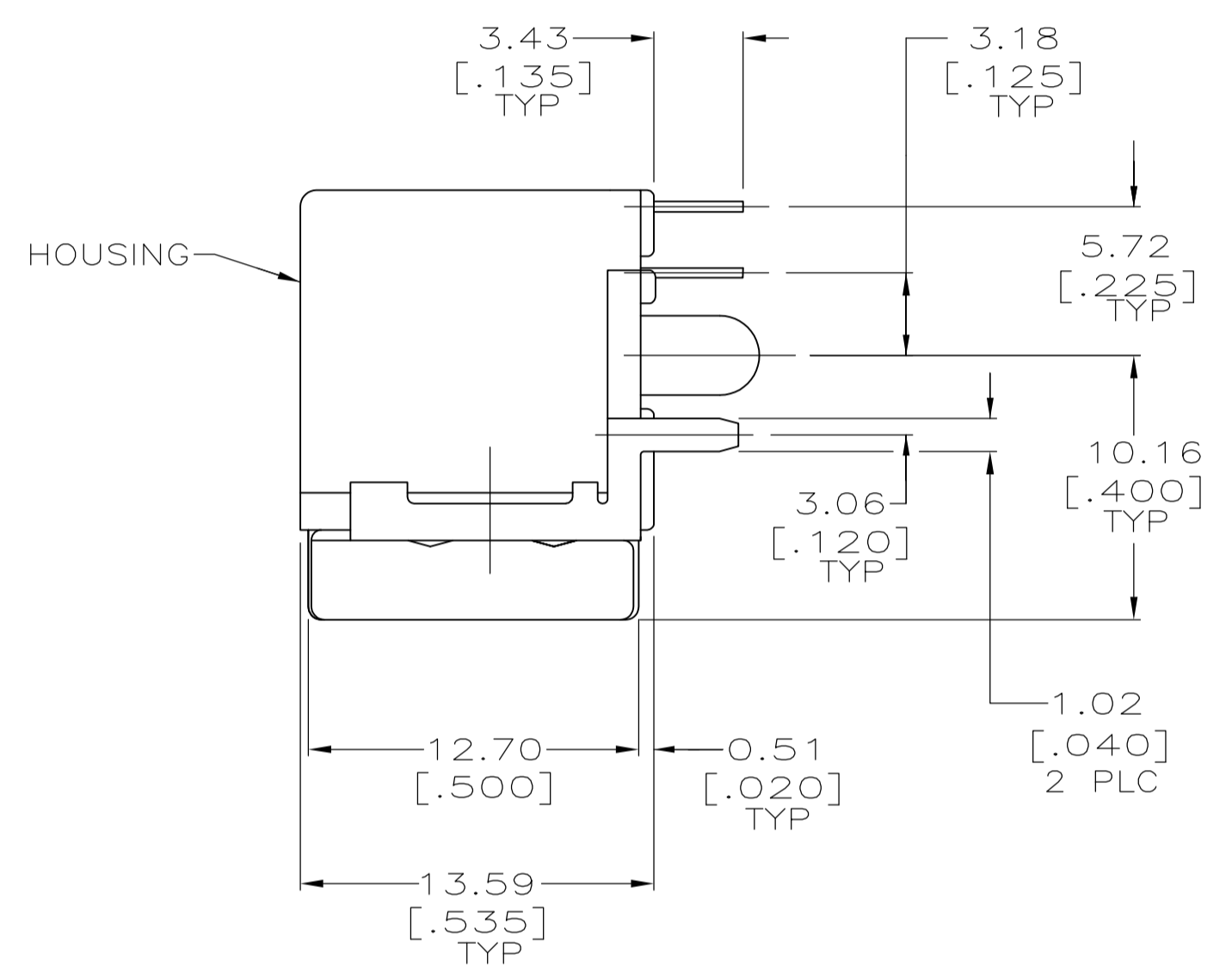
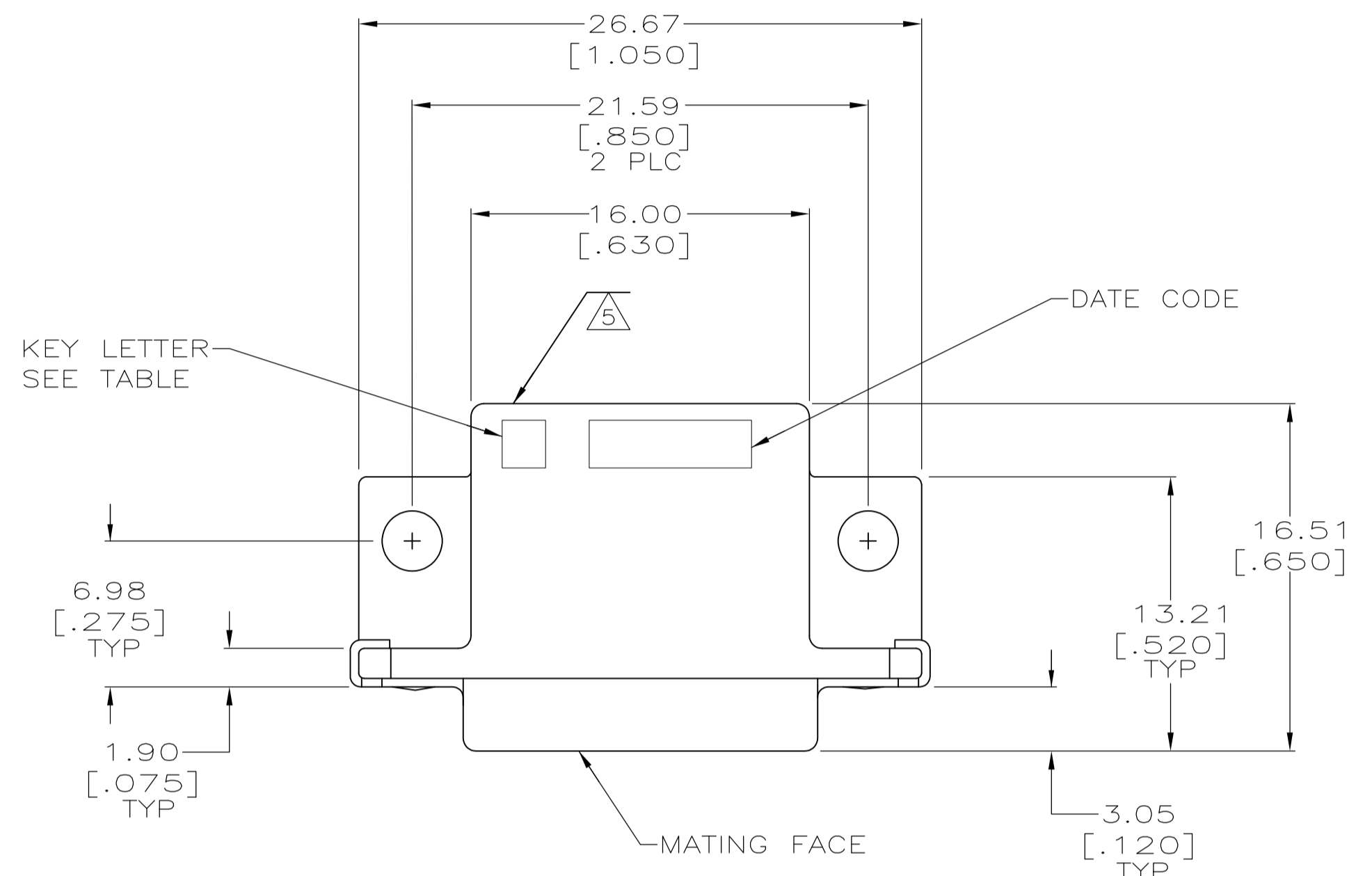


1. PREFIX AND SUFFIX NUMBERS MUST MATCH THOSE ON PLUG ASSEMBLY FOR PARTS TO MATE.
2. POLYESTER, FLAME RETARDANT, UL 94V-0 RATED, GLASS FILLED, BLACK.
3. 3.81µm [.000150] MIN BRIGHT TIN OVER 1.27µm [.000050] MIN NICKEL.
4. 1.27µm [.000050] MIN GOLD ON MATING SURFACE FOR A LENGTH OF 2.54 [.100] MIN, 3.81µm [.000150] MIN MATTE TIN ON OPPOSITE END FOR A LENGTH OF 3.81 [.150] MIN, BOTH OVER 1.27µm [.000050] MIN NICKEL ON ENTIRE CONTACT.
5. NUMBERS 13, 14, 15, 16 OR LETTER P TO APPEAR ON LOWER RIGHT REAR OF HOUSING IN AREA INDICATED.
6. OBSOLETE PARTS: OBSOLETE CIS STREAMLINING PER D.RENAUD/D.SINISI.
7. DIMENSION INDICATES CONTACT MATING ZONE.
8. POINT OF PLATING MEASUREMENT.



	E	5-1761190-1
	B	2-1761190-1
6	A	1-1761190-1
	KEY I.D. LETTER	PART NO

THIS DRAWING IS A CONTROLLED DOCUMENT.		DIN B MCMMASTER 26APR04	STE TE Connectivity	
DIMENSIONS: mm [INCHES]		CJK C ROHDE 26APR04	RECEPTACLE ASSEMBLY, 4 POSITION, SIDE ENTRY WITH GROUND, SDL	
TOLERANCES UNLESS OTHERWISE SPECIFIED:		APVD M WALMSLEY 26APR04	PRODUCT SPEC 108-2047	
0 PLC ± -		APPLICATION SPEC 114-2081		
1 PLC ± -		SIZE CAGE CODE DRAWING NO		
2 PLC ± -		A1 00779 C=1761190		
3 PLC ± 0.38 [.015]		RESTRICTED TO		
4 PLC ± -		WEIGHT		
ANGLES ± -		CUSTOMER DRAWING		
MATERIAL: SHIELD: BRASS CONTACT: PHOS BRONZE		SCALE 4:1 SHEET 1 OF 1 REV A		
FINISH: SHIELD: 3 CONTACT: 4				

单击下面可查看定价，库存，交付和生命周期等信息

[>>TE Connectivity\(泰科\)](#)