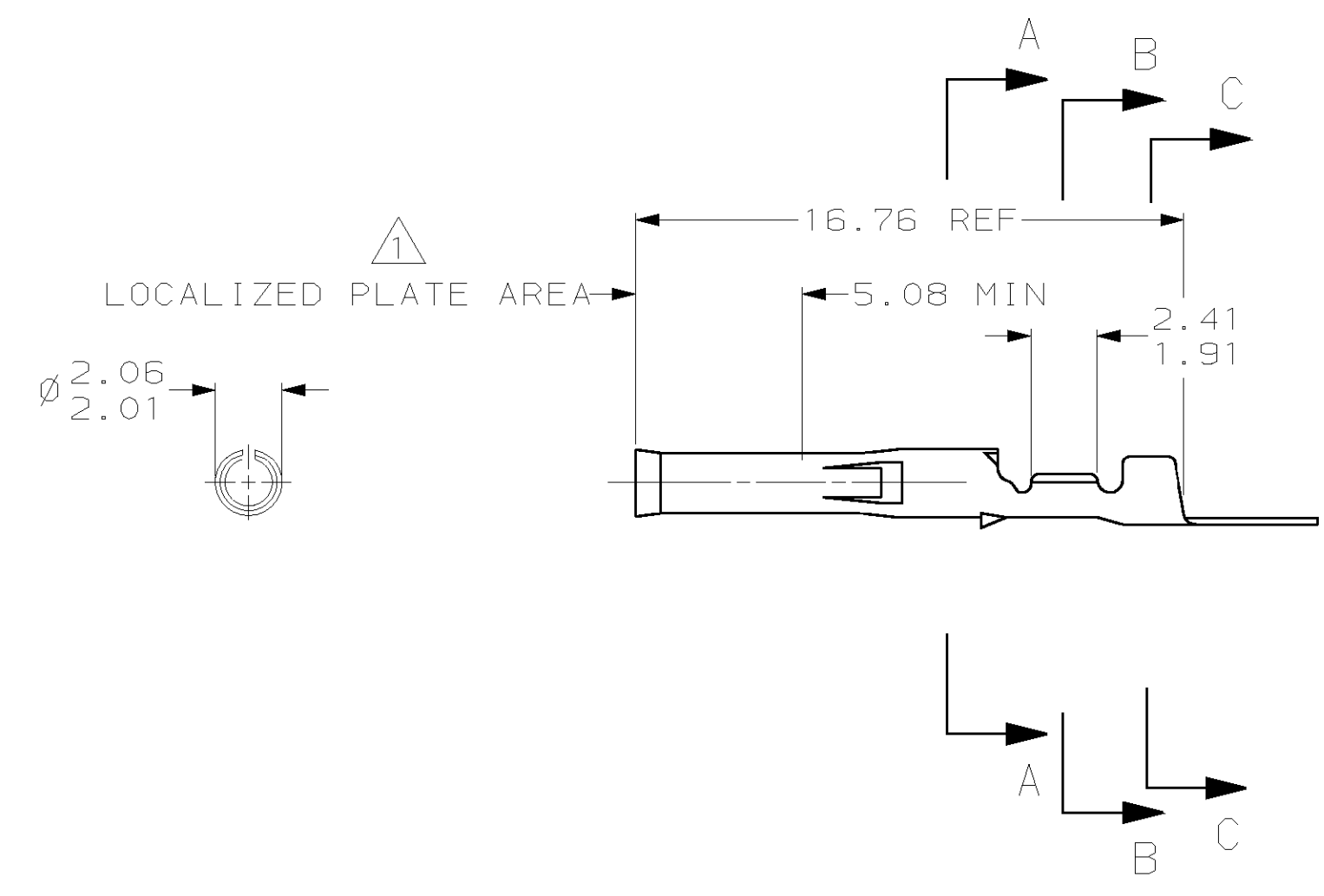
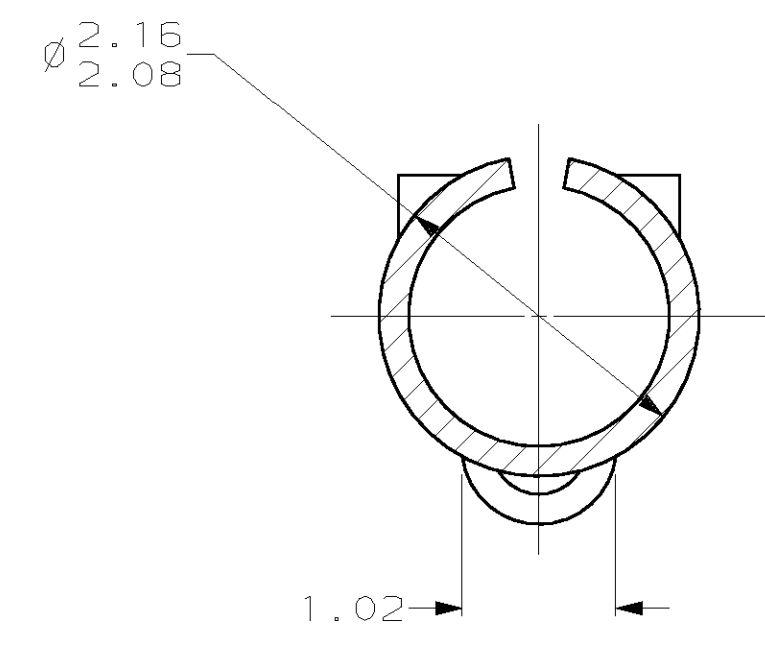
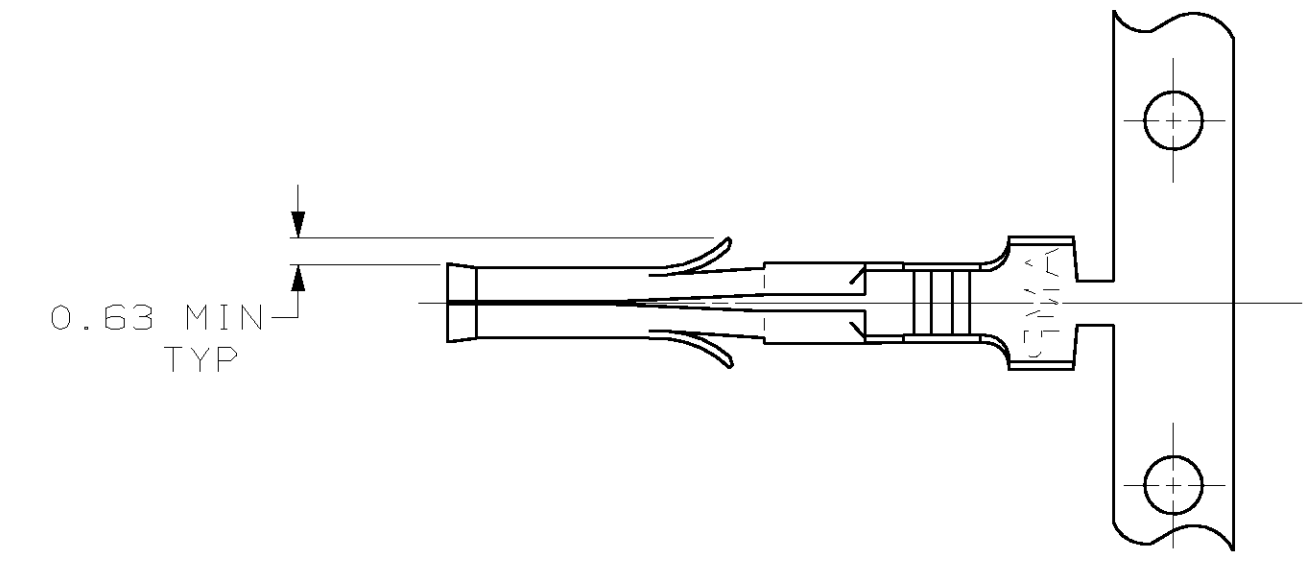
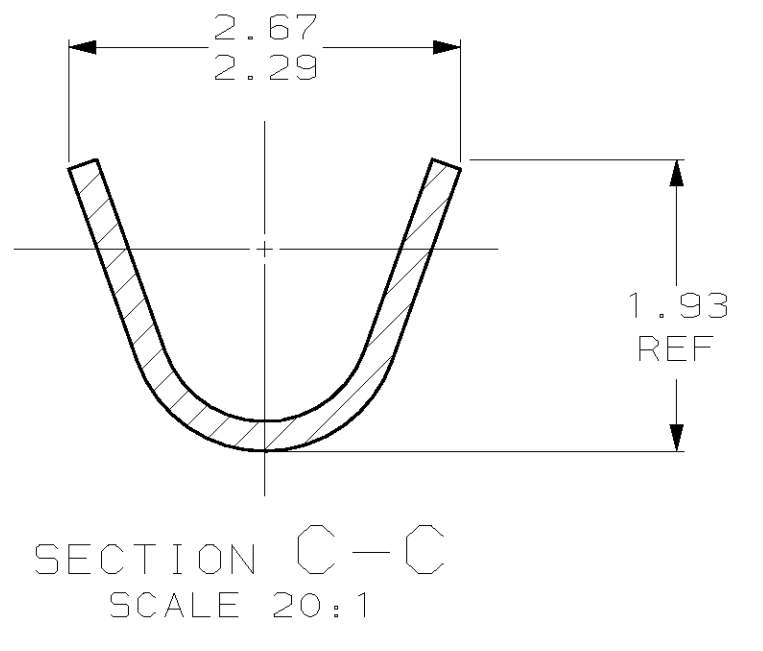
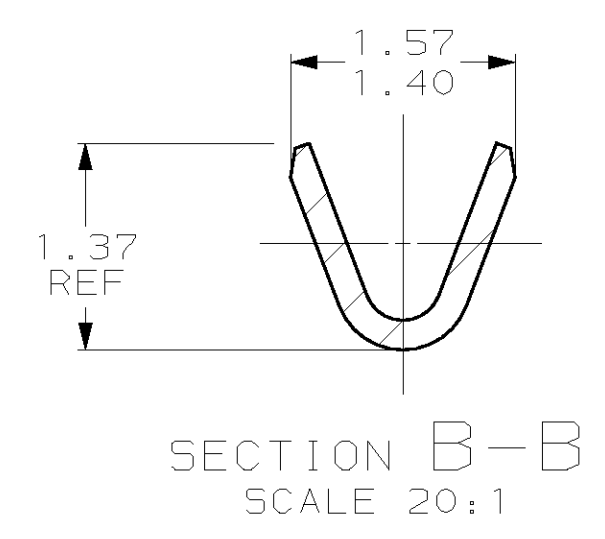
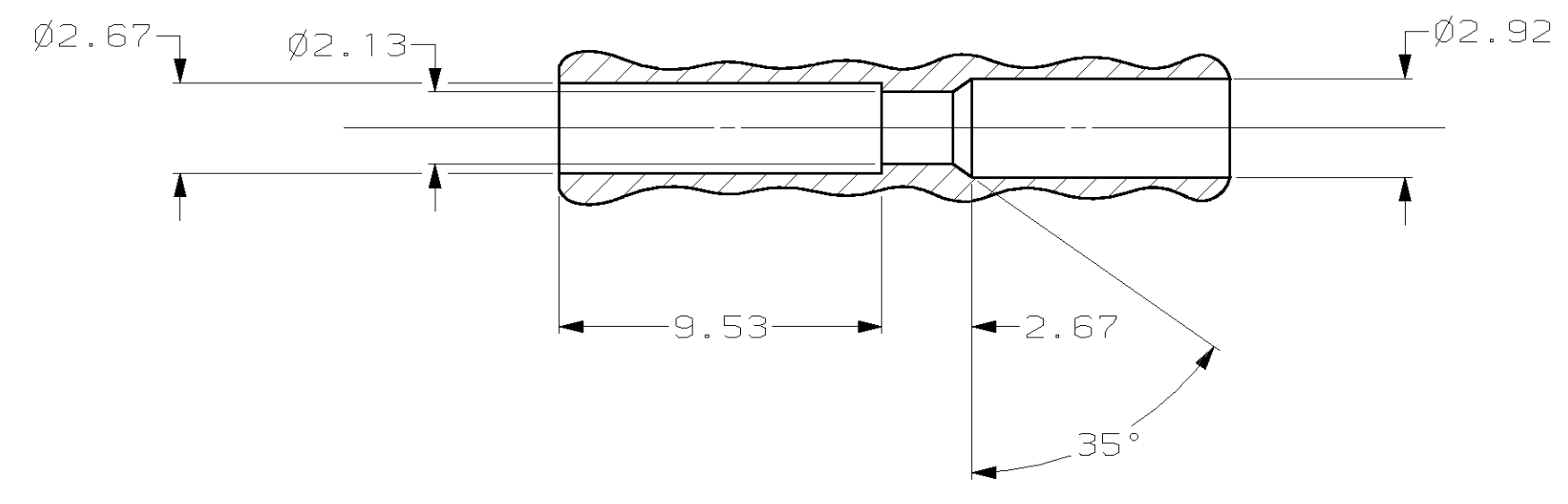


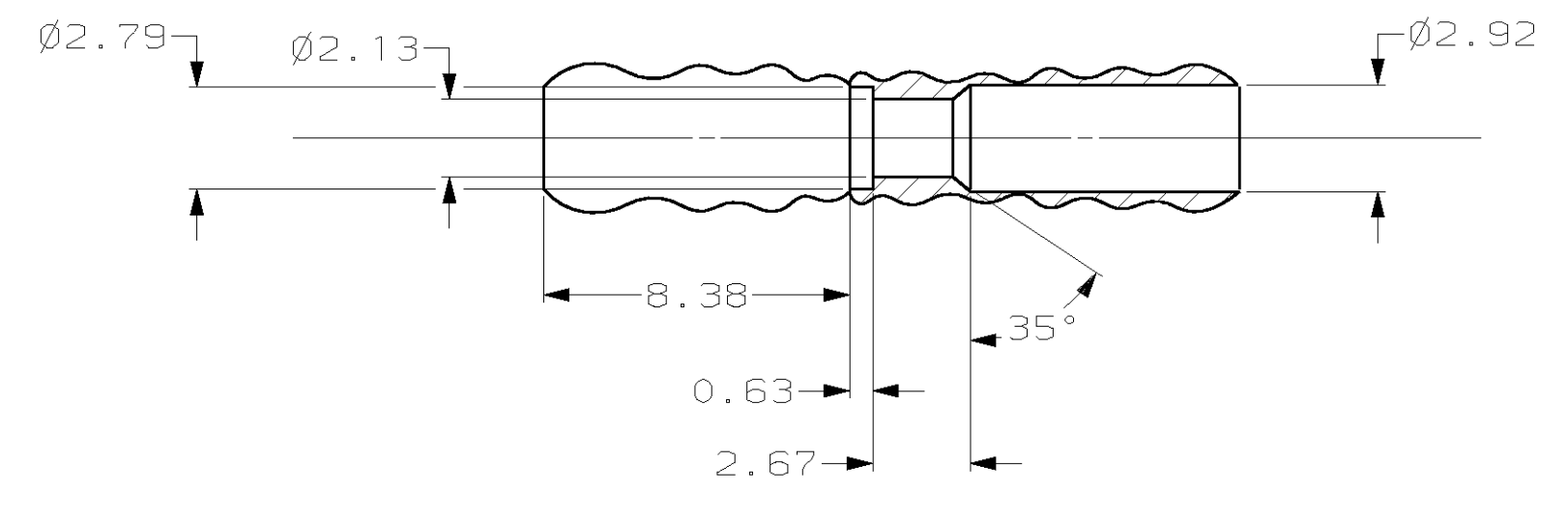
- 1. 0.0013 MIN NICKEL OVER ENTIRE RECEPTACLE WITH 0.0008 MIN GOLD INSIDE RECEPTACLE IN LOCALIZED PLATE AREA.
- 2. EITHER CAVITY WILL ACCEPT RECEPTACLE 350628,640392 OR PIN 350629,640391.



.660	16.76
.375	9.53
.330	8.38
.200	5.08
.115	2.92
.110	2.79
.105	2.67
.095	2.41
.090	2.29
.085	2.16
.084	2.13
.082	2.08
.081	2.06
.079	2.01
.076	1.93
.075	1.91
.062	1.57
.060	1.52
.055	1.40
.054	1.37
.040	1.02
.025	0.63
.008	0.20
.005	0.13
.000050	0.0013
.000030	0.0008
IN	MM
CONVERSION TABLE	



TYPICAL RECEPTACLE CAVITY SECTION REFERENCE



TYPICAL PLUG CAVITY SECTION REFERENCE

PRE-TIN FINISH	0.20 BRASS MATERIAL	1.52 MAX INSULATION DIAMETER	30-24 WIRE RANGE	794717-1 PART NO.
----------------	---------------------	------------------------------	------------------	-------------------



THIS DRAWING IS A CONTROLLED DOCUMENT.

DWN: L.A. McEACHIN 01DEC99	AMP Incorporated Harrisburg, PA 17105-3608
CHK: G.S. RIDGILL 02DEC99	
APP'D: G.S. RIDGILL 02DEC99	
PRODUCT SPEC: .062 SOCKET, COMMERCIAL PIN & SOCKET	
APPLICATION SPEC: -	
SIZE: A1	CAGE CODE: 00779
DRAWING NO: 794717	RESTRICTED TO: -
WEIGHT: -	
CUSTOMER DRAWING	SCALE: 5:1 SHEET: 1 OF 1 REV: 0

单击下面可查看定价，库存，交付和生命周期等信息

[>>TE Connectivity\(泰科\)](#)