

THIS DRAWING IS UNPUBLISHED.

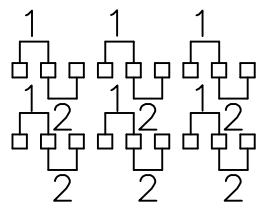
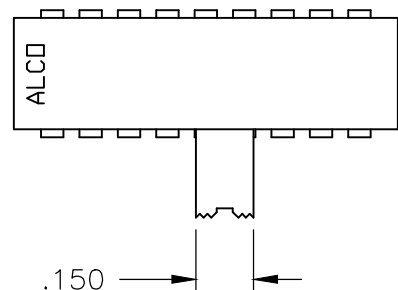
RELEASED FOR PUBLICATION

© COPYRIGHT - TE Connectivity

ALL RIGHTS RESERVED.

REVISIONS

P	LTR	DESCRIPTION	DATE	DWN	APVD
	C1	REVISED PER ECO-05-013282	12/18/07	SS	MS
	C2	REVISED PER ECO-16-018096	28JUN2017	RK	PO



6PDT
CIRCUIT DIAGRAM

Materials:

- BASE/COVER-PCT UL94V-0, BLACK
- ACTUATOR-NYLON PA46 UL94V-0, NATURAL
- MOVING CONTACT-COPPER ALLOY, SILVER OVER NICKEL
- FIXED CONTACT-COPPER ALLOY, SILVER OVER NICKEL
- TERMINAL-COPPER ALLOY, TIN/LEAD OVER NICKEL OR TIN OVER NICKEL

Electrical:

- Contact Rating, 300 milliamp @ 115V AC Per EIA-448, Method 6
- Contact resistance, 40 milliohms max @ 100mA 2-4V DC, Per EIA-364-23B, each position
- Insulation Resistance, 1000 Megohm Min @ 500V DC, Per EIA-364-21C each position
- Dielectric strength, 600 V RMS@ Sea level, Per EIA-364-20B, Condition 1, each position
- Life Expectancy, Electrical, 15,000 cycles @ full load

Mechanical:

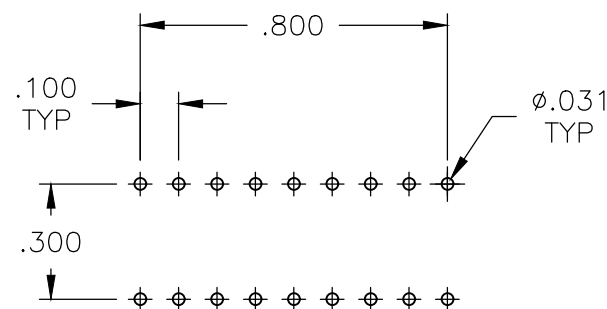
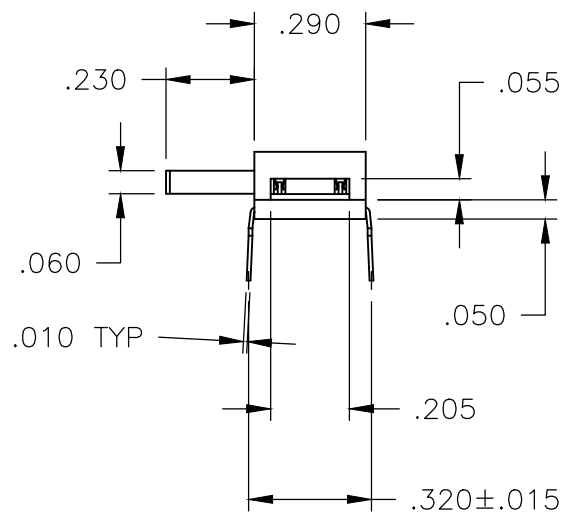
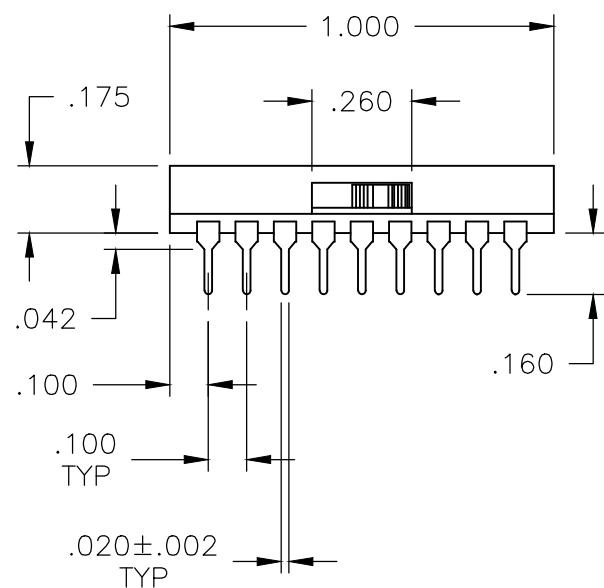
- Actuation force, 800 grams max
- Actuation Travel, .100 +/- .010
- Life Expectancy, 15,000 cycles

Environmental:

- Operating Temperature, -40 to +80 degrees C, Per EIA 448, Method 10
- Storage Temperature, -40 to +80 degrees C
- Humidity and Temperature Cycling Per EIA-364-31B, Method III
- Solderability, Per EIA-364-52, Class 2, Category 1, 95% Minimum coverage
- Resistance to Solder Heat, Per 109-202, Condition B
- Process cleaning-will withstand aqueous or solvent cleaning processes

NOTES:

- PARTS TO BE PACKAGED IN 22 INCH TUBES.
- ⚠ ALL MATERIALS AND FINISHES SHALL COMPLY WITH EU DIRECTIVE 2002/95/EC OF 27JAN2003 (ROHS)



P.C.B. LAYOUT

	⚠	ASE7125604	1825468-1
OBSOLETE	-	ASE71256	5-1437581-4
	NOTES	T&B NUMBER	PART NUMBER

THIS DRAWING IS A CONTROLLED DOCUMENT.		DWN M.BINNER 02AUG04	TE Connectivity NAME SPECIAL ASE PC MOUNTING				
DIMENSIONS: INCHES		CHK M.SARVER 02AUG04					
TOLERANCES UNLESS OTHERWISE SPECIFIED:		APVD M.SARVER 02AUG04					
0 PLC ± - 1 PLC ± - 2 PLC ± - 3 PLC ± .010 4 PLC ± - ANGLES ± 1°		PRODUCT SPEC -					
MATERIAL -		FINISH -	APPLICATION SPEC -	SIZE A3	CAGE CODE 00779	DRAWING NO C-5-1437581-4	RESTRICTED TO -
CUSTOMER DRAWING			WEIGHT	SCALE 2:1	SHEET 1 OF 1	REV C2	

单击下面可查看定价，库存，交付和生命周期等信息

[>>TE Connectivity\(泰科\)](#)