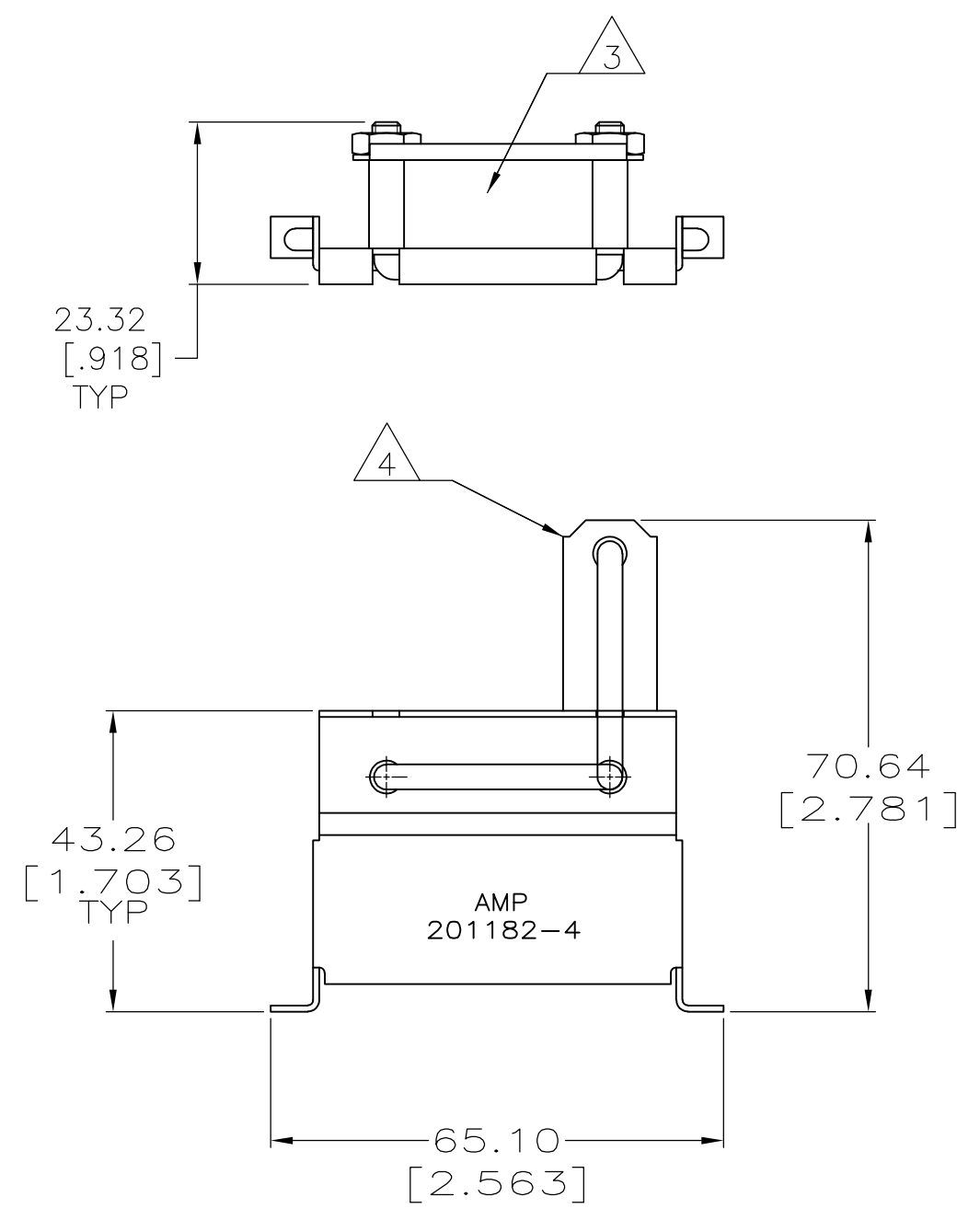
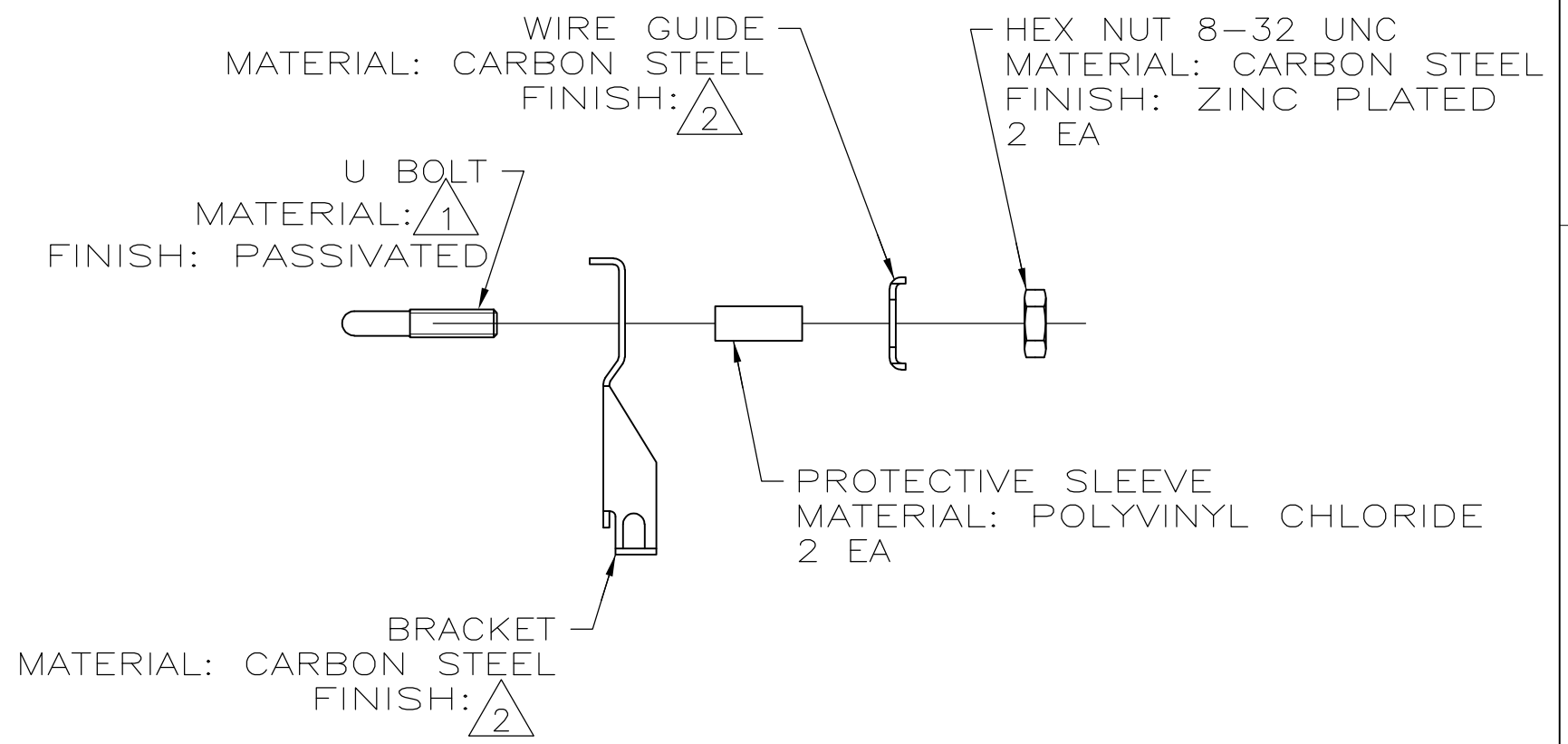


THIS DRAWING IS UNPUBLISHED. RELEASED FOR PUBLICATION  
 © COPYRIGHT BY TYCO ELECTRONICS CORPORATION. ALL INTERNATIONAL RIGHTS RESERVED.

LOC	DIST	REVISIONS			
P	LTR	DESCRIPTION	DATE	DWN	APVD
FT	0	N	REVISED PER ECO-10-021995	12JAN11	HMR MG



ASSEMBLED VIEW



- $\triangle 1$  STAINLESS STEEL.
- $\triangle 2$  5.08um[.000200] MIN NICKEL.
- $\triangle 3$  384.52 SQ mm[.596 SQ IN] MAX CABLE AREA.
- $\triangle 4$  ALTERNATE POSITION OF CLAMP FOR 90° CABLE OUTLET.

201182-4	201182-1
PART NUMBER	
SUPERSEDED BY 201182-4	

THIS DRAWING IS A CONTROLLED DOCUMENT.		DWN C.REIFSNYDER 17 APR 96	Tyco Electronics Corporation Harrisburg, PA 17105-3608													
DIMENSIONS: mm [INCHES]		CHK R.STONE 24 MAY 96	NAME CLAMP KIT, UNASSEMBLED, STRAIN RELIEF, 50 PLACE, M SERIES													
TOLERANCES UNLESS OTHERWISE SPECIFIED:		APVD G. STEINHAUER 21 JUN 96	PRODUCT SPEC	RESTRICTED TO												
<table border="0"> <tr><td>0 PLC</td><td>± -</td></tr> <tr><td>1 PLC</td><td>± -</td></tr> <tr><td>2 PLC</td><td>± 0.38[.015]</td></tr> <tr><td>3 PLC</td><td>± -</td></tr> <tr><td>4 PLC</td><td>± -</td></tr> <tr><td>ANGLES</td><td>± -</td></tr> </table>		0 PLC	± -	1 PLC	± -	2 PLC	± 0.38[.015]	3 PLC	± -	4 PLC	± -	ANGLES	± -	APPLICATION SPEC	SIZE A3	CAGE CODE 00779
0 PLC	± -															
1 PLC	± -															
2 PLC	± 0.38[.015]															
3 PLC	± -															
4 PLC	± -															
ANGLES	± -															
MATERIAL SEE CALLOUTS	FINISH SEE CALLOUTS	WEIGHT -	DRAWING NO G-201182	SCALE 2:1												
CUSTOMER DRAWING			SHEET 1 OF 1	REV N												

单击下面可查看定价，库存，交付和生命周期等信息

[>>TE Connectivity\(泰科\)](#)