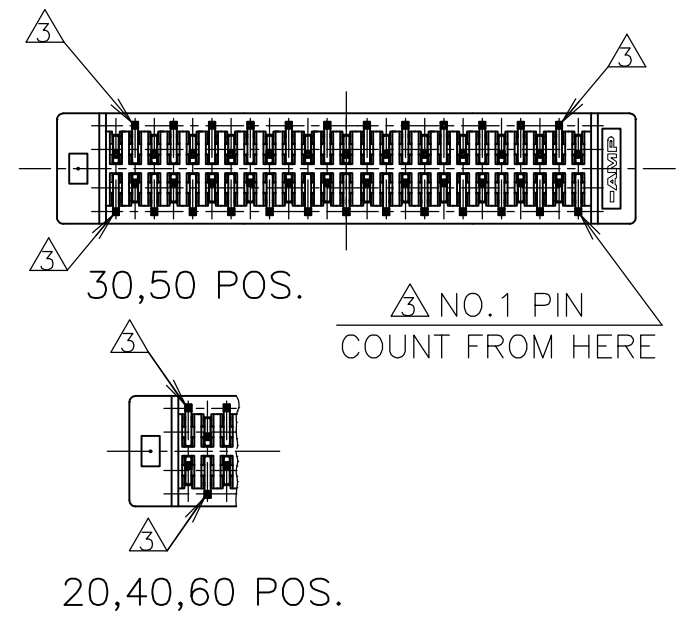
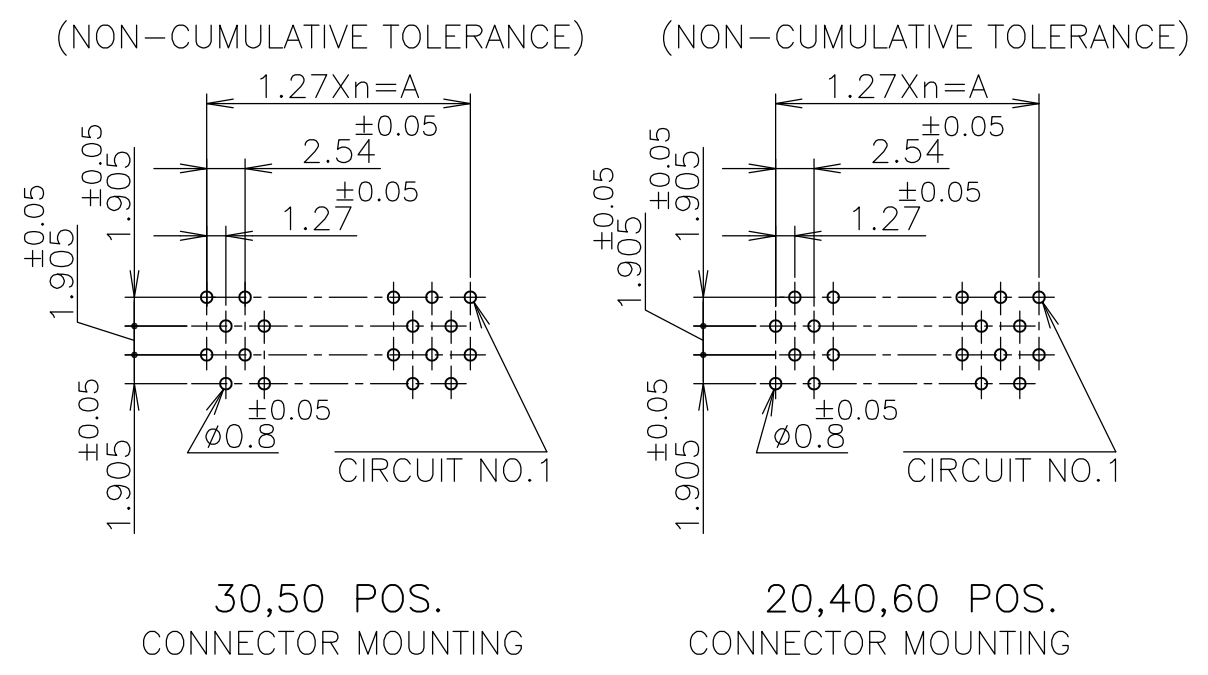
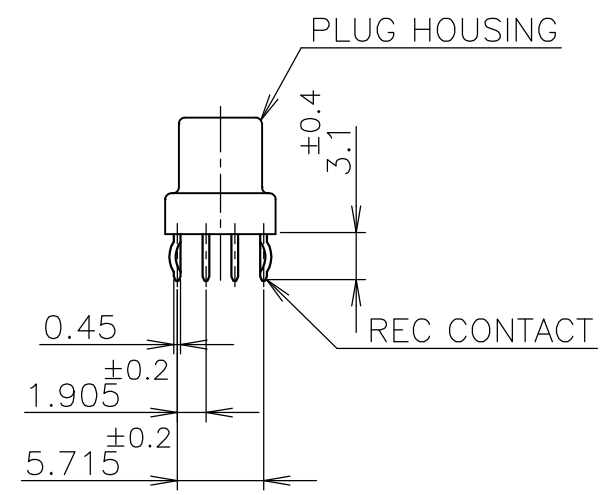
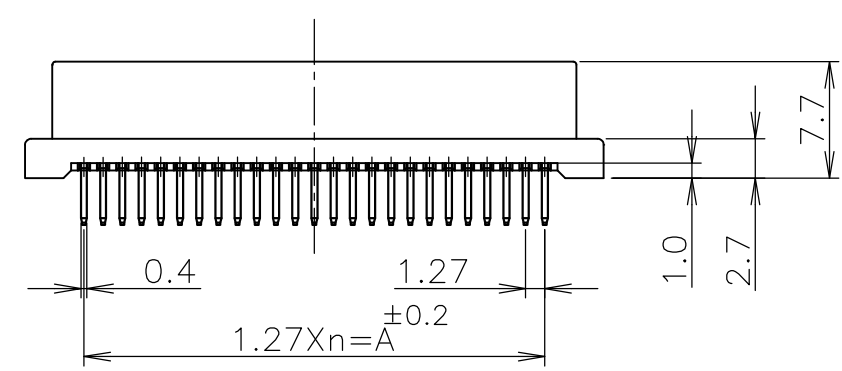
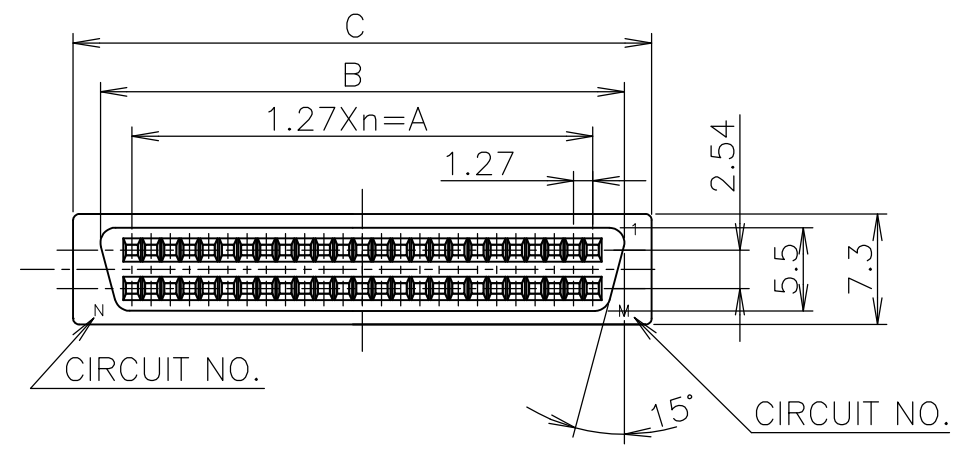


THIS DRAWING IS UNPUBLISHED. RELEASED FOR PUBLICATION AUG ,2004.  
 © COPYRIGHT 2004 BY TYCO ELECTRONICS CORPORATION. ALL RIGHTS RESERVED.

| LOC | DIST | REVISIONS   |             |               |         |     |     |
|-----|------|-------------|-------------|---------------|---------|-----|-----|
| P   | LTR  | DESCRIPTION | DATE        | DWN           | APVD    |     |     |
| J   | /    | 0           | RELEASED    | FJBO-0871-04  | 24AUG04 | C.W | I.E |
|     |      | 01          | REVISED PER | ECO-09-024927 | 09NOV09 | KK  | AEG |



- △ MATERIAL & FINISH  
 PLUG HOUSING: THERMOPLASTIC (UL94V-0)  
 COLOR: BLACK.  
 REC CONTACT: COPPER ALLOY.  
 FINISH: OVER NICKEL, MATING END:  
 0.0002 OR 0.00076 MIN. GOLD,  
 TERMINATION END: TIN. AND SEALING TREATMENT  
 ALL OVER.
- 2 P.W.B. LAYOUT AND P.W.B. TREATMENT (REF.)  
 P.W.B. SURFACE ARE TREATED WITH SOLDER RESIST.  
 BOARD THICKNESS: 1.6mm.
- △ ON KINK POINT (4 PLACES).
- △ OBSOLETE PARTS: OBSOLETE CIS STREAMLINING PER D.RENAUD/D.SINISI

| REMARK              | CIRCUIT NO. |    | DIMENSION |       |       | n  | POS. | PART NO.  |
|---------------------|-------------|----|-----------|-------|-------|----|------|-----------|
|                     | N           | M  | A         | B     | C     |    |      |           |
| Au PL. 0.00076 MIN. | 20          | 11 | 11.43     | 15.60 | 19.20 | 9  | 20   | 6- -5     |
|                     | 60          | 31 | 36.83     | 41.00 | 44.60 | 29 | 60   | 6- -4     |
|                     | 50          | 26 | 30.48     | 34.65 | 38.26 | 24 | 50   | 6- -3     |
|                     | 40          | 21 | 24.13     | 28.30 | 31.90 | 19 | 40   | 6- -2     |
|                     | 30          | 16 | 17.78     | 21.95 | 25.55 | 14 | 30   | 6- -1     |
| Au PL. 0.0002 MIN.  | 20          | 11 | 11.43     | 15.60 | 19.20 | 9  | 20   | -5        |
|                     | 60          | 31 | 36.83     | 41.00 | 44.60 | 29 | 60   | -4        |
|                     | 50          | 26 | 30.48     | 34.65 | 38.26 | 24 | 50   | -3        |
|                     | 40          | 21 | 24.13     | 28.30 | 31.90 | 19 | 40   | -2        |
|                     | 30          | 16 | 17.78     | 21.95 | 25.55 | 14 | 30   | 5175710-1 |

LEAD FREE

GENERAL TOLERANCE  
 10 ≥ : ±0.2  
 30 ≥ > 10: ±0.25  
 100 ≥ > 30: ±0.3  
 ANGLES: ±3°

THIS DRAWING IS A CONTROLLED DOCUMENT.

DIMENSIONS: MM

TOLERANCES UNLESS OTHERWISE SPECIFIED:

|        |     |
|--------|-----|
| 0 PLC  | ± - |
| 1 PLC  | ± - |
| 2 PLC  | ± - |
| 3 PLC  | ± - |
| 4 PLC  | ± - |
| ANGLES | ± - |
| FINISH | △   |

MATERIAL: △

DWN: COREL WANG 24AUG04  
 CHK: STEVEN YAO 24AUG04  
 APVD: I.ENOMOTO 24AUG04

PRODUCT SPEC: 108-60036

APPLICATION SPEC

WEIGHT

CUSTOMER DRAWING

Tyco Electronics  
 Tyco Electronics AMP K.K.  
 Kawasaki, Japan

NAME: PLUG ASSY V WITH KINK  
 AMPLIMITE .050 SERIES I B-TO-B CONN.

SIZE: A3 CAGE CODE: 00779 DRAWING NO: C-5175710 RESTRICTED TO: -

SCALE: NTS SHEET: 1 OF 1 REV: 01

单击下面可查看定价，库存，交付和生命周期等信息

[>>TE Connectivity\(泰科\)](#)