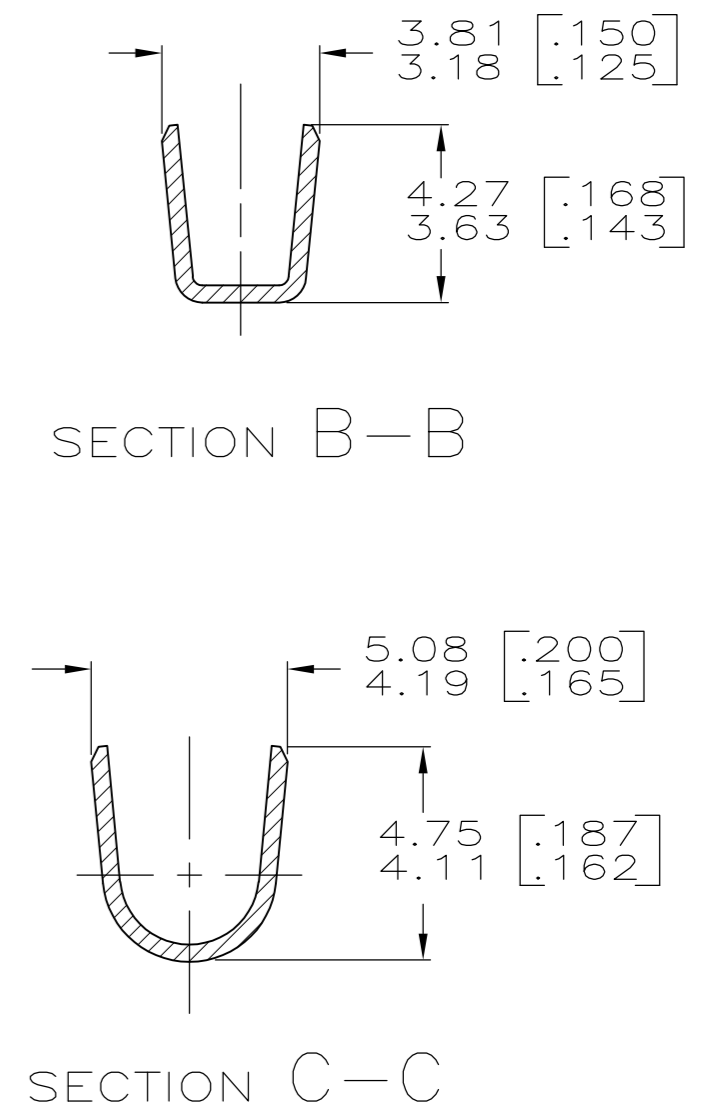
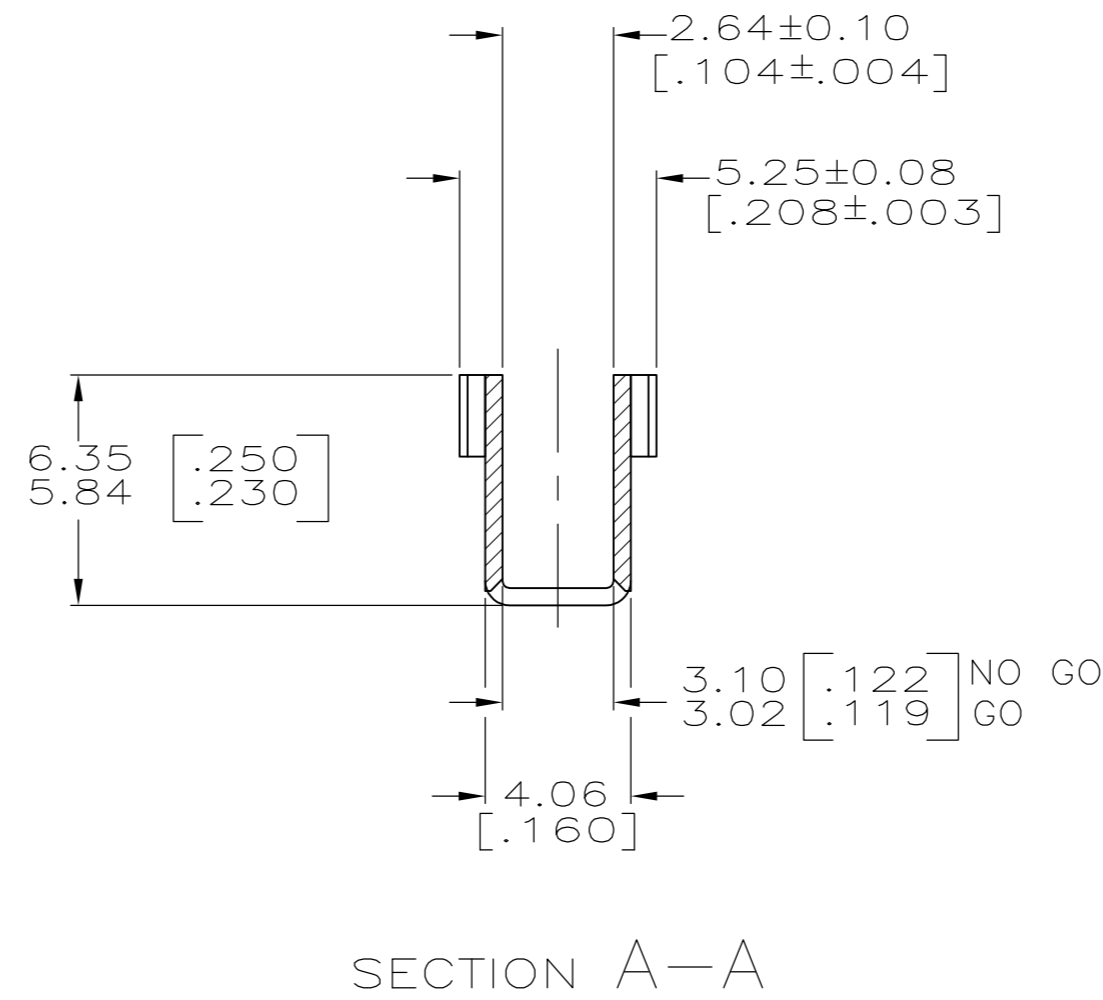
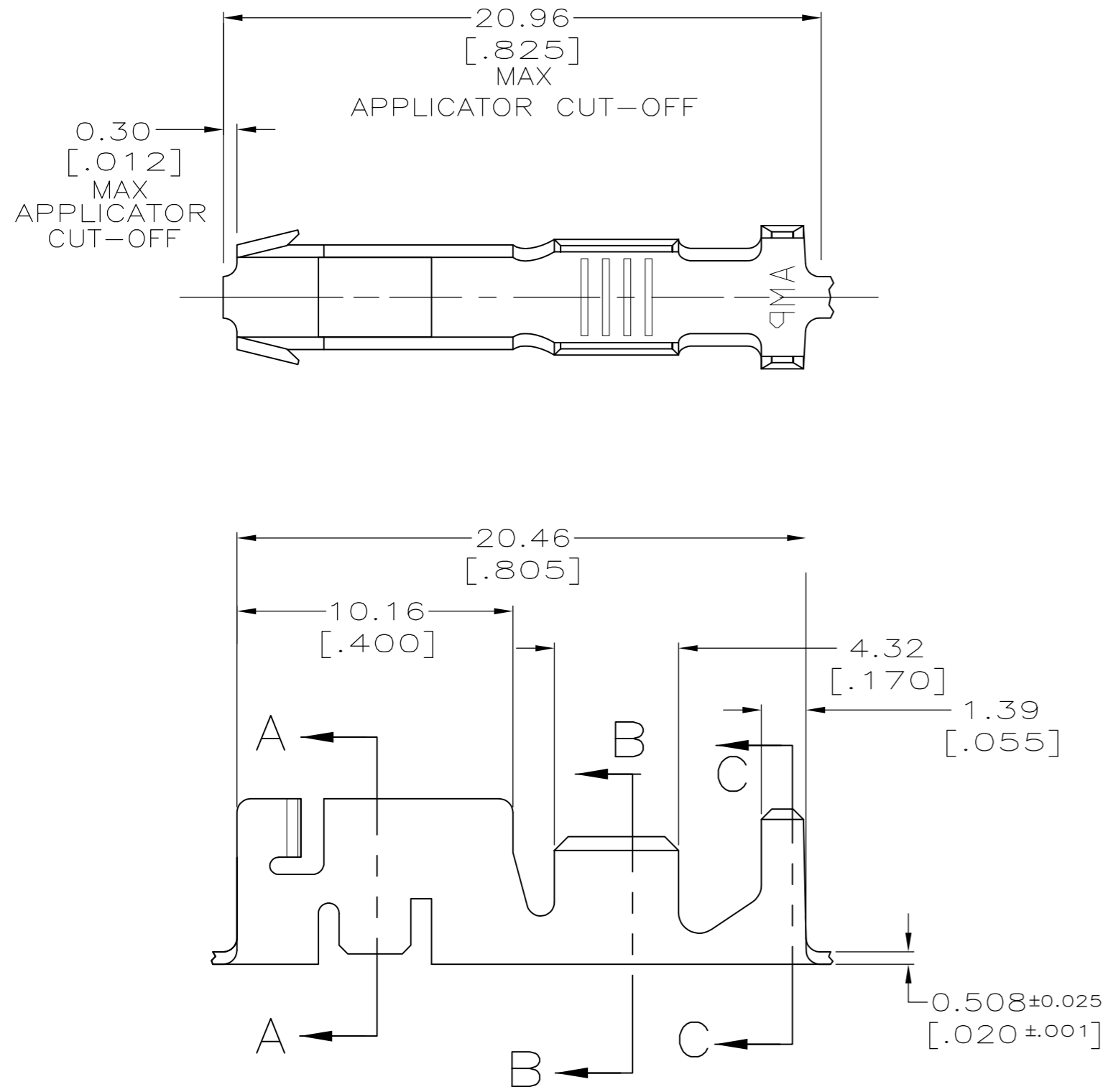


THIS DRAWING IS UNPUBLISHED. RELEASED FOR PUBLICATION  
 © COPYRIGHT - By - ALL RIGHTS RESERVED.

LOC	DIST	REVISIONS			
P	LTR	DESCRIPTION	DATE	DWN	APVD
AF	50	G	REVISED PER ECR-12-016352	17NOV12	KH GJ

- 1 CONTINUOUS STRIP ON REELS WITH TERMINALS LOCATED ON 22.61[.890] CENTERS
- 2 PRODUCT SPEC DOES NOT APPLY TO PART NUMBER 1217176-4.
- 3 PRELIMINARY - NOT FOR PRODUCTION.



FINISH	MATERIAL	INSULATION RANGE	WIRE RANGE	PART NUMBER
NONE	H03 TIN-BRASS	3.30 [.130] MAX DIA	0.75-1.5mm <sup>2</sup> [#18-#16] AWG	1217176-5
POST TIN	H02 CU-FE, C19500	3.30 [.130] MAX DIA	0.75-1.5mm <sup>2</sup> [#18-#16] AWG	3 1217176-4
POST TIN	H03 TIN-BRASS	3.30 [.130] MAX DIA	0.75-1.5mm <sup>2</sup> [#18-#16] AWG	1217176-1

TYPE	WIDTH	STRIP LENGTH ±0.38 [±.015]	TYPE	WIDTH	HEIGHT	WIRE
F OR O	3.94 [.155]	6.22 [.245]	F	2.79 [.110]	2.01 [.079]	1.5mm <sup>2</sup> [16]
INSUL BARREL CRIMP			WIRE BARREL CRIMP		1.85 [.073]	.75mm <sup>2</sup> [18]

THIS DRAWING IS A CONTROLLED DOCUMENT.

DWN MICHAEL S. FEHER 06JUL1999  
 CHK PETE DESANTIS 07JUL1999  
 APVD PETE DESANTIS 07JUL1999

TE Connectivity

RECEPTACLE, CLUSTER PIN, 3.18 [.125] DIA

108-2008 2  
 APPLICATION SPEC  
 114-2019

SIZE A2 CAGE CODE 00779 DRAWING NO C=1217176 RESTRICTED TO -

MATERIAL SEE TABLE FINISH SEE TABLE WEIGHT - SCALE 5:1 SHEET 1 OF 1 REV G

单击下面可查看定价，库存，交付和生命周期等信息

[>>TE Connectivity\(泰科\)](#)