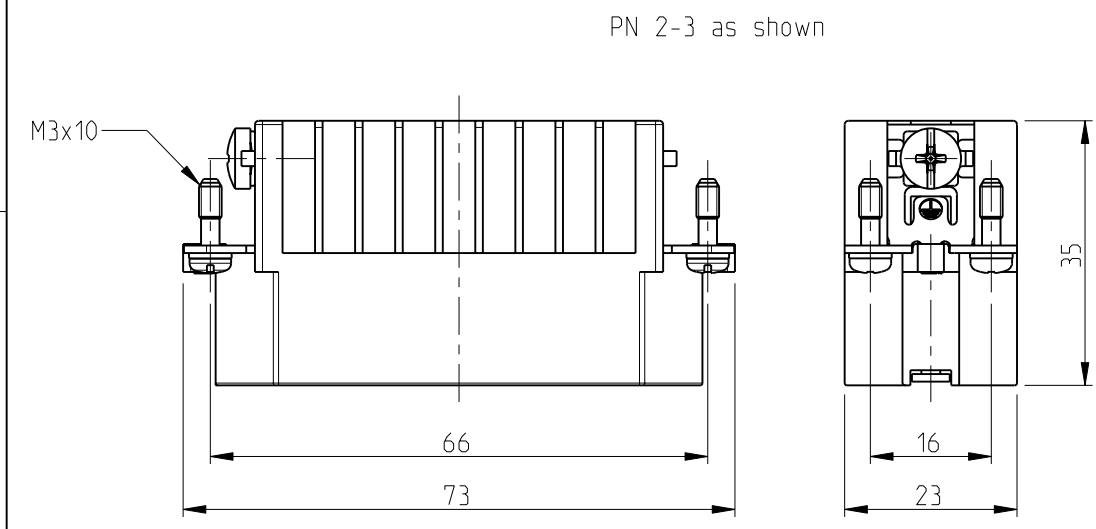
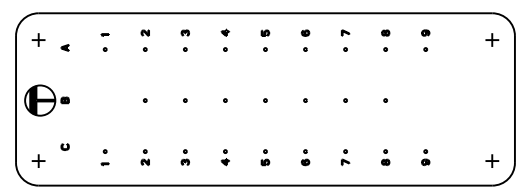


THIS DRAWING IS UNPUBLISHED. RELEASED FOR PUBLICATION .1997
 © COPYRIGHT 1997 BY TYCO ELECTRONICS CORPORATION. ALL RIGHTS RESERVED.

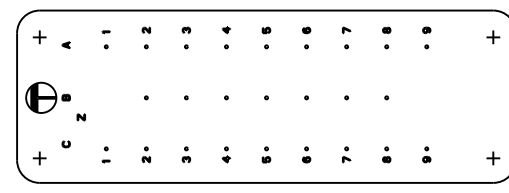
LOC	DIST	REVISIONS					
A1		P	LTR	DESCRIPTION	DATE	DWN	APVD
			A6	Released as per ECR-08-019210	31.Jul.2008	SP	TS



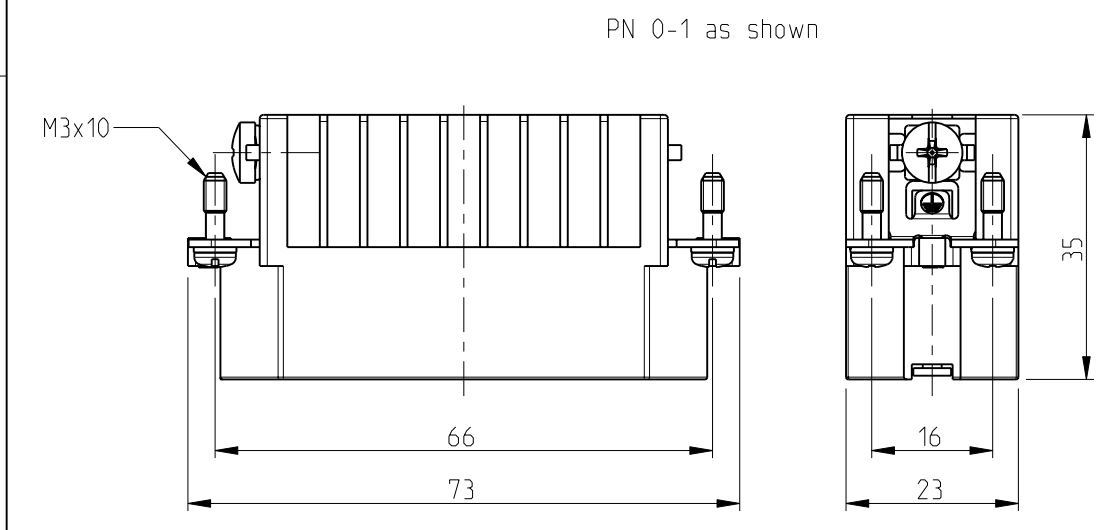
CONTACT ARRANGEMENT FOR PN 2-3 & 2-8
 VIEW FROM TERMINATION SIDE



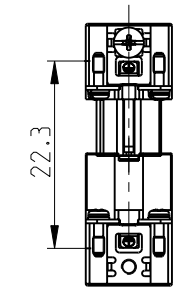
CONTACT ARRANGEMENT FOR PN 0-1
 VIEW FROM TERMINATION SIDE



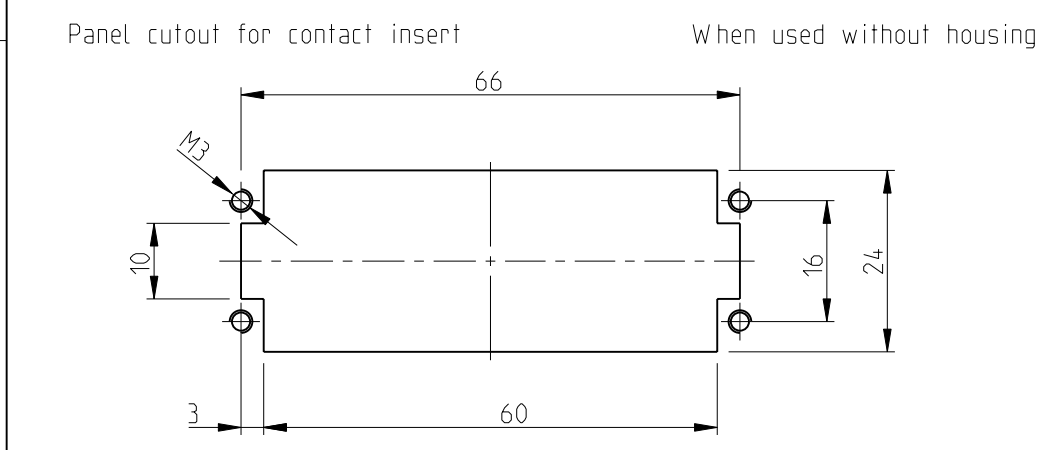
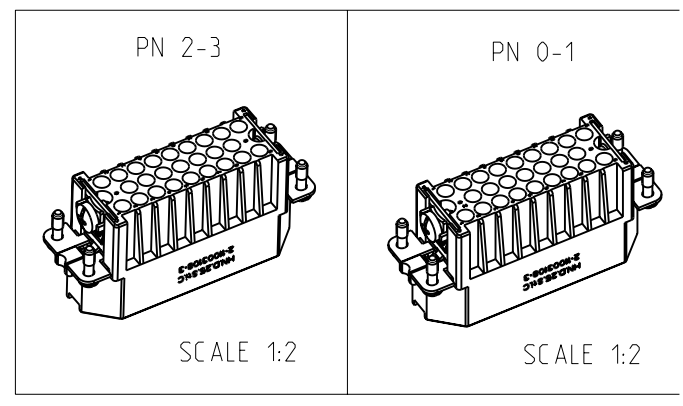
- NOTES
- 1 Material: Insert , PC UL-File Nr : E101788(R)
 - 2 Finish: Zinc plated contact: Ag, Au
 - 3 Packaging quantity 5 pieces in a box.



ASSEMBLING INSTRUCTION
 Max. 24mm was away for safe contacting



SCALE 1:2



1	1	Male Insert HN.D25	Ryton	Dark Brown	2		
		Male Insert HN.D25	1	Dark Grey	1		
0-1	2-8	2-3	DESCRIPTION	MATERIAL	COLOR	ITEM NO	REMARKS
ORDERING TEXT							
HN.D25.Sti.C B1-25							
HN.D-RY.25.Sti.C B1-25							
HN.D25.Sti.C B1-25/Z							

THIS DRAWING IS A CONTROLLED DOCUMENT FOR TYCO ELECTRONICS CORPORATION IT IS SUBJECT TO CHANGE AND THE CONTROLLING ENGINEERING ORGANIZATION SHOULD BE CONTACTED FOR THE LATEST REVISION.		DWN	Schneider	03.11.1998	Tyco Electronics.AMP.GmbH D-53819.Neunkirchen.Germany
DIMENSIONS: mm		CHK	Schweiger	03.11.1998	
TOLERANCES UNLESS OTHERWISE SPECIFIED: n.ISO 8015: n.ISO 2768-mH-E: n.DIN 16901-120		APVD	-	-	NAME
0 PLC ±		PRODUCT SPEC	-	-	Male insert
1 PLC ±		APPLICATION SPEC	-	-	HN.D.25.Sti.C
2 PLC ±		WEIGHT	57 g	SIZE	A3
3 PLC ±		CAGE CODE	00779	DRAWING NO	1103108
4 PLC ±		RESTRICTED TO		SCALE	1:1
ANGLES ±		CUSTOMER DRAWING		SHEET	1 OF 1
FINISH				REV	A6

单击下面可查看定价，库存，交付和生命周期等信息

[>>TE Connectivity\(泰科\)](#)