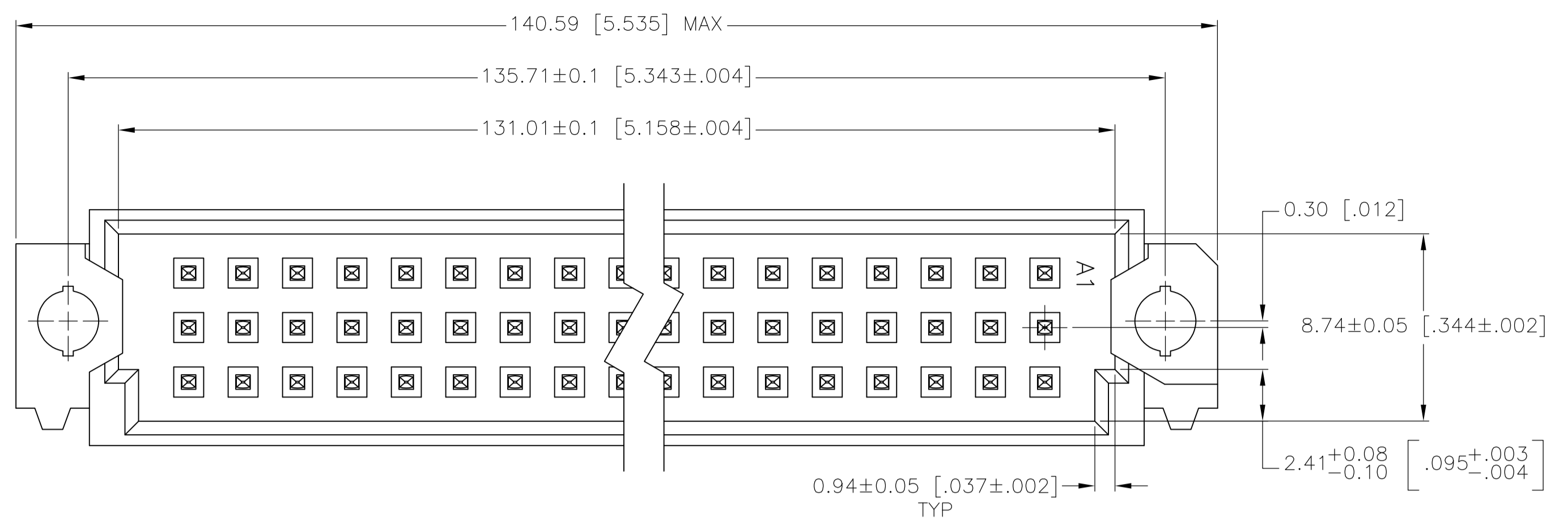
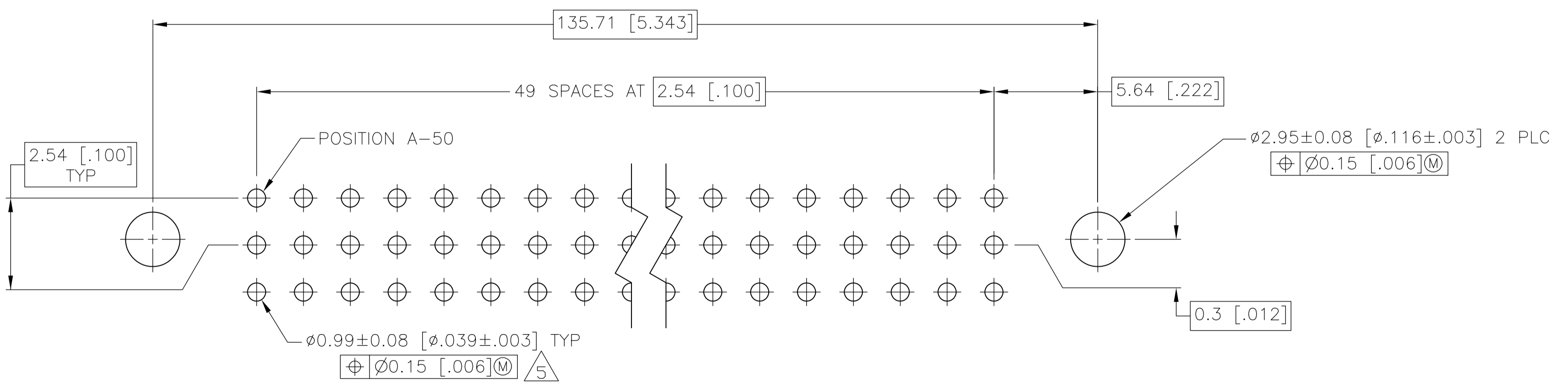
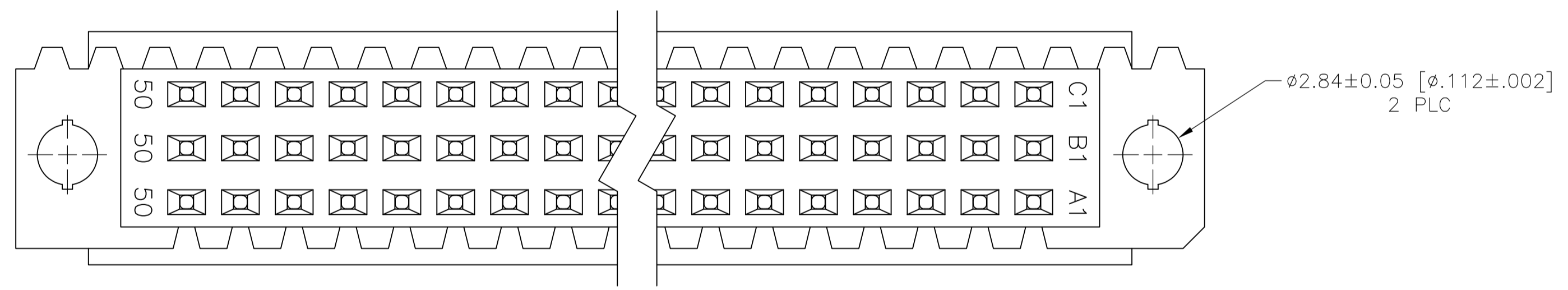
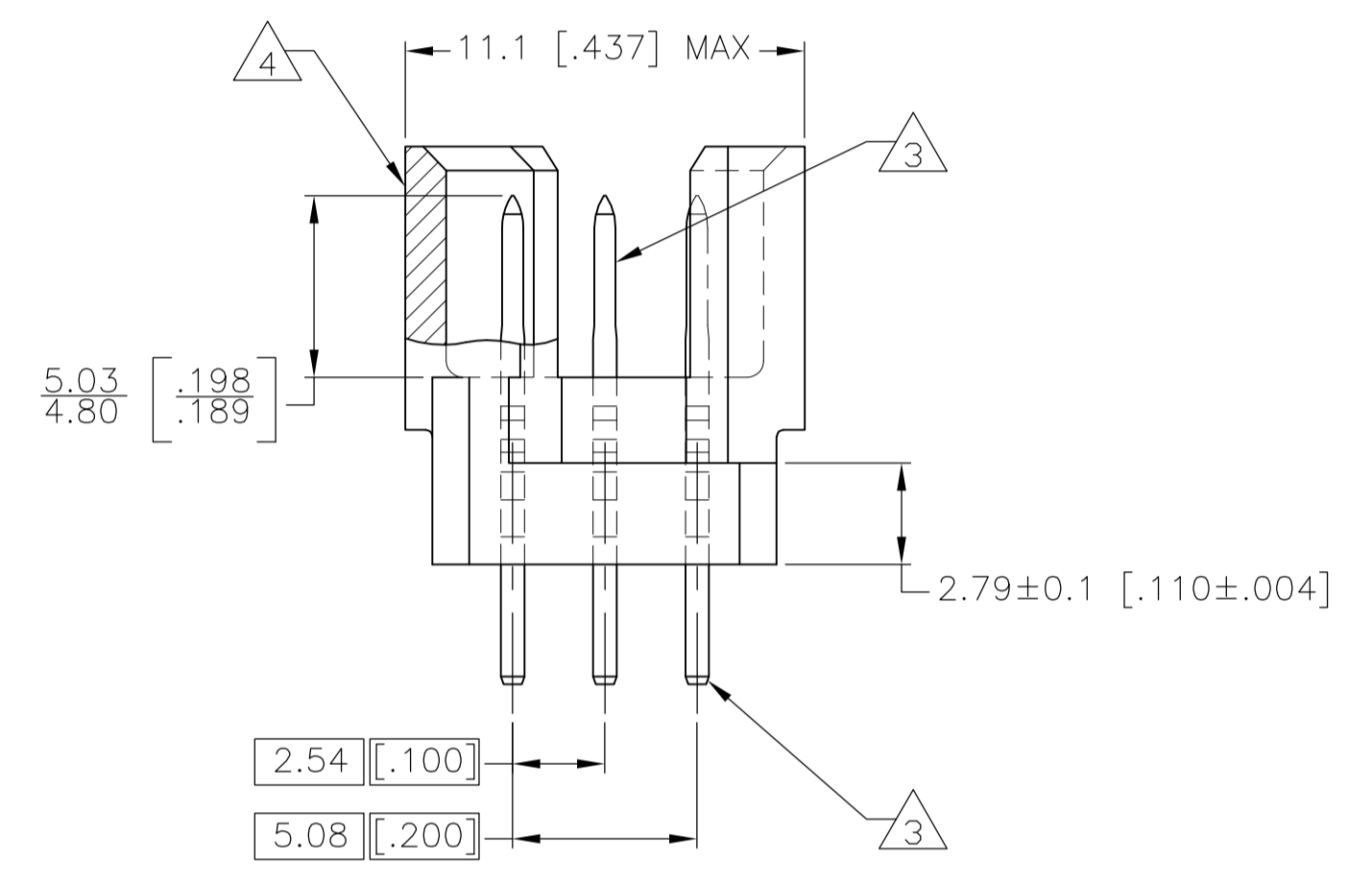
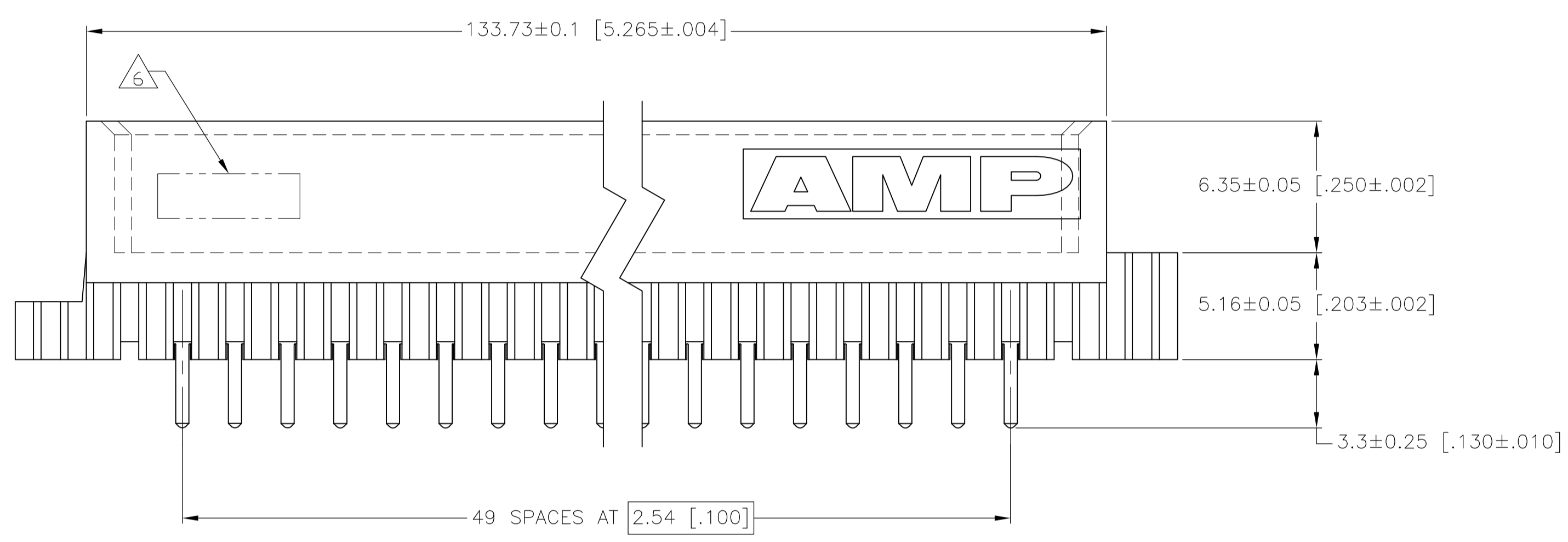


LOC		DIST		REVISIONS				
P	LTR	DESCRIPTION	DATE	DWN	APVD			
01		REVISED PER ECO-07-012819	28JUN07	DH	DB			



- 1 HOUSING MATERIAL: GLASS-FILLED POLYMER.
- 2 POST MATERIAL: COPPER ALLOY.
- 3 POST FINISH: DIN 41612 CLASS 2 IN CONTACT AREA. TIN PLATE ON POSTS.
- 4 MARKING ON THIS SIDE.
- 5 RECOMMENDED HOLE SIZE FOR MANUAL APPLICATION OF CONNECTOR ONTO PC BOARD.
- 6 PART NUMBER, DATE CODE MARKED THIS APPROXIMATE AREA.



PC BOARD LAYOUT

1-50	X	X	X	150	5650922-5
POSITIONS LOADED	C	B	A	NO OF LOADED POSITIONS	ASSY PART NUMBER
	ROWS LOADED				

THIS DRAWING IS A CONTROLLED DOCUMENT.		DIN J. POLIGNONE DSMAY05		Tyco Electronics Corporation	
DIMENSIONS: mm [INCHES]		TOLERANCES UNLESS OTHERWISE SPECIFIED:		Tyco Electronics Corporation Harrisburg, PA 17105-3608	
0 PLC	± -	1 PLC	± -	NAME: ASSEMBLY, PIN, EUROCARD, TYPE R, 150 POSITION, 3.30[.130] SOLDER POST	
1 PLC	± -	2 PLC	± 0.13 [.005]	SIZE: A1	
2 PLC	± -	3 PLC	± -	CAGE CODE: 00779	
3 PLC	± -	4 PLC	± -	DRAWING NO: 5650922	
4 PLC	± -	ANGLES	± -	RESTRICTED TO: -	
MATERIAL: 1 2		FINISH: 3		WEIGHT: -	
CUSTOMER DRAWING		SCALE: 5:1		SHEET 1 OF 1	
				REV: 01	

单击下面可查看定价，库存，交付和生命周期等信息

[>>TE Connectivity\(泰科\)](#)