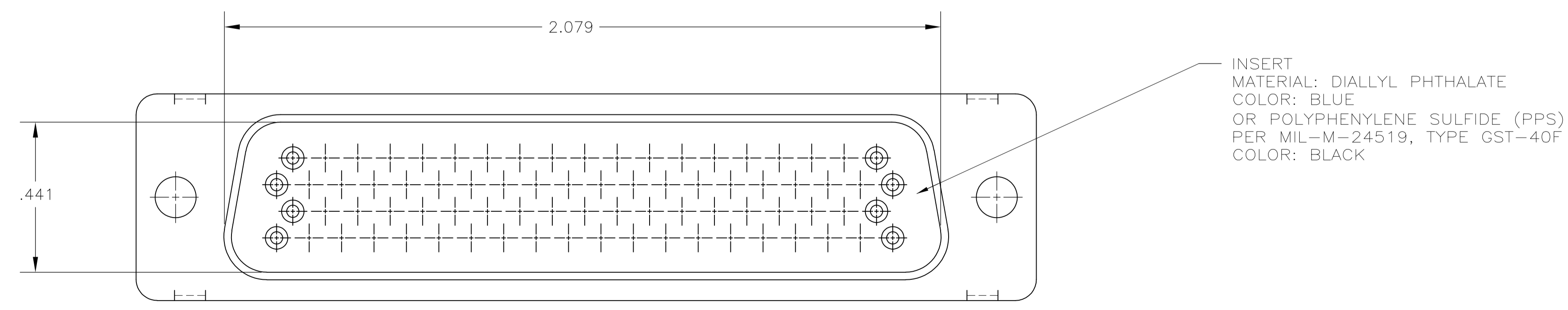
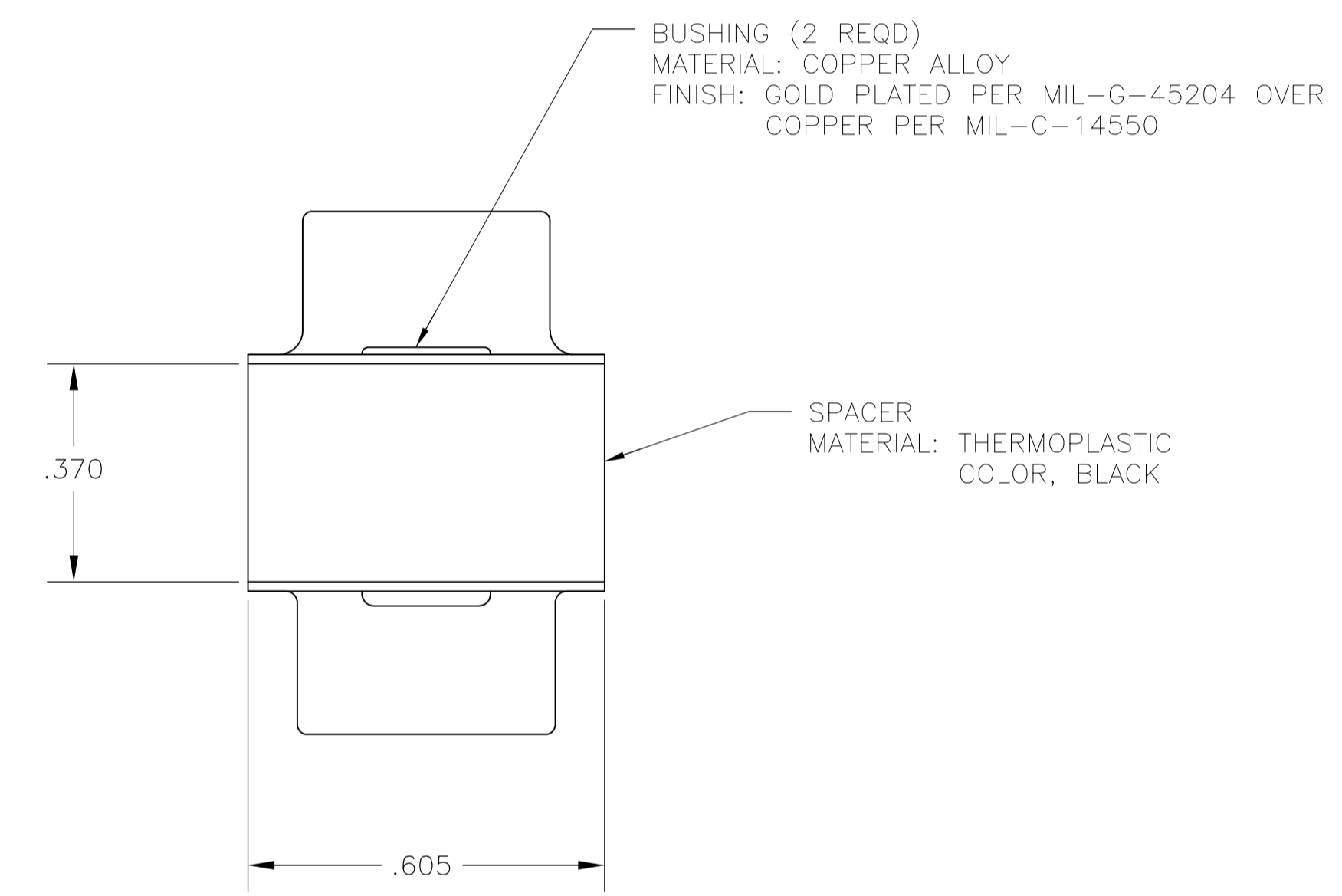
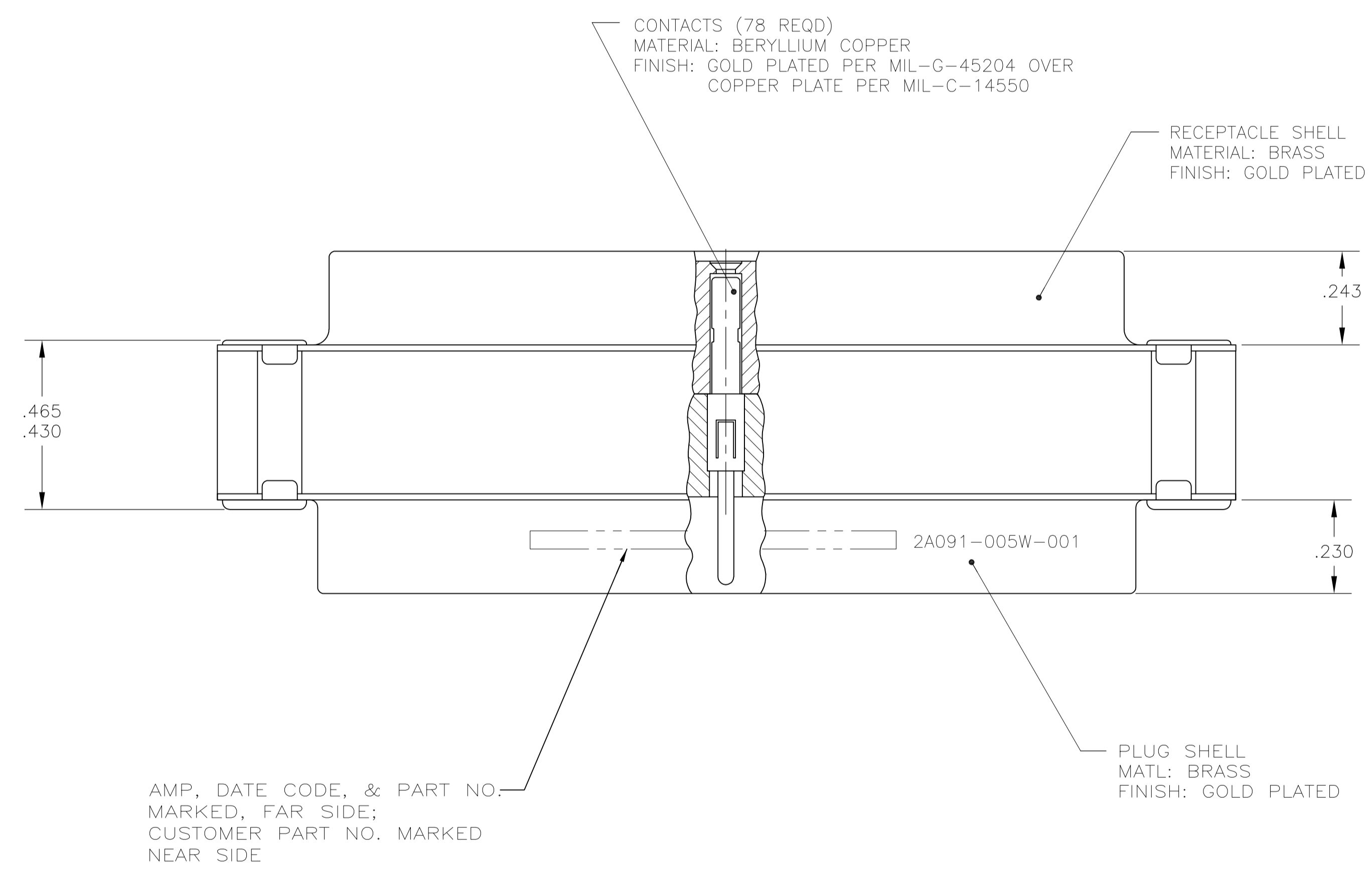
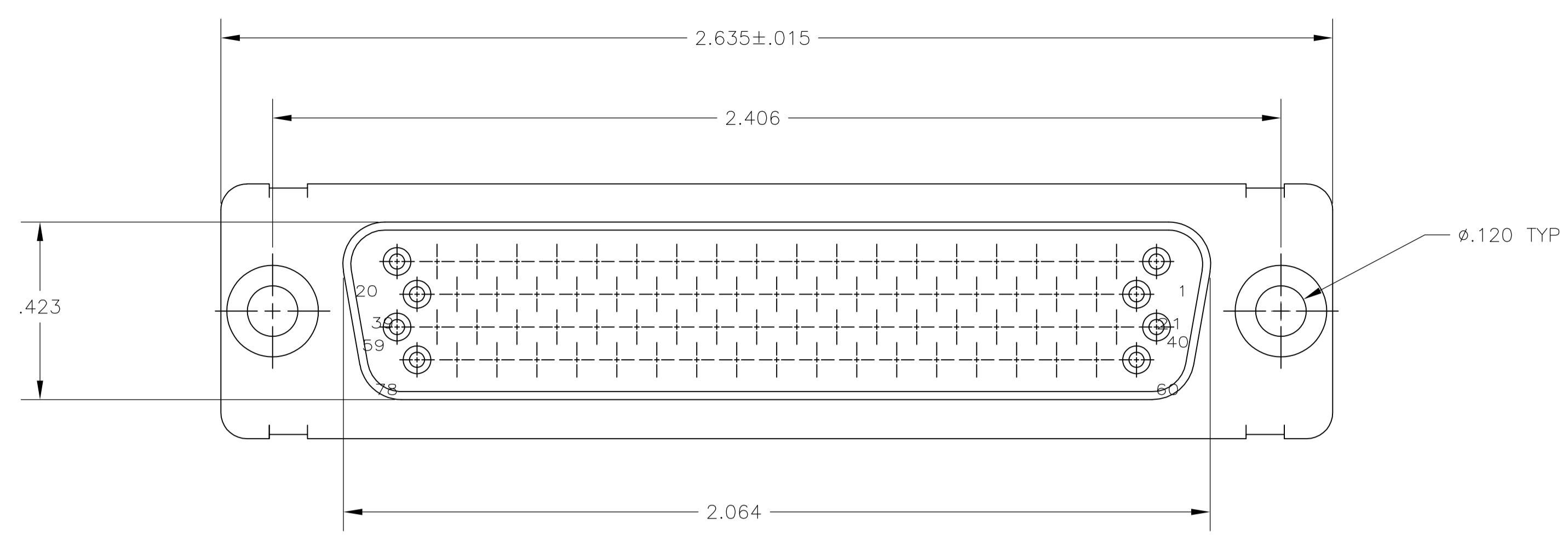


REVISIONS					
P	LTR	DESCRIPTION	DATE	DMN	APVD
G		REV PER ECO 17-000132	5-5-17	CT	DM



211688-1  
PART NO.

THIS DRAWING IS A CONTROLLED DOCUMENT. DIMENSIONING AND TOLERANCING PER ASME Y14.5M (ISO STANDARDS)		DIN P. YEAGER 13APR11	TE Connectivity
DIMENSIONS: INCHES		CHK R. LEASE 13APR11	
TOLERANCES UNLESS OTHERWISE SPECIFIED:		APVD R. LEASE 13APR11	NAME
0 PLC ± -			CONNECTOR SAVER, AMPLIMITE, 78 POSITION, SIZE 5, SERIES 90
1 PLC ± -			PRODUCT SPEC
2 PLC ± -			APPLICATION SPEC
3 PLC ± .005			SIZE
4 PLC ± -			CAGE CODE
ANGLES ± -			DRAWING NO.
FINISH	SEE CALLOUTS	WEIGHT	RESTRICTED TO
MATERIAL	SEE CALLOUTS	0	A1 00779 C=211688
CUSTOMER DRAWING		SCALE	4:1
		SHEET	1 OF 1
		REV	G

单击下面可查看定价，库存，交付和生命周期等信息

[>>TE Connectivity\(泰科\)](#)