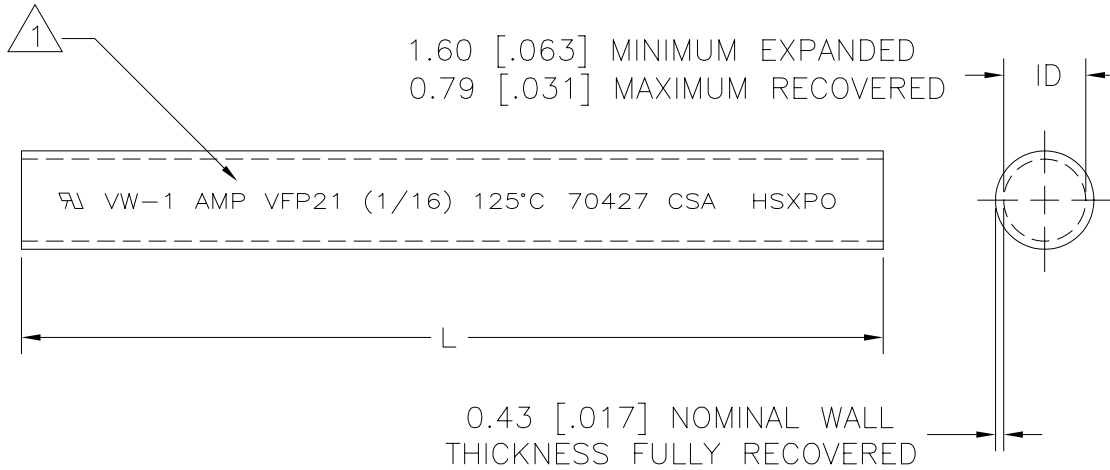


REVISIONS		
LTR	DESCRIPTION	DATE
H	REVISED PER DCR NO R060222	10/13/2006



1 TUBING VFP21 MARKED AS SHOWN IN WHITE CHARACTERS ON SURFACE INDICATED.

2 TUBING VFP21 IS UL RECOGNIZED, IS RATED 125°C [257°F], 600 V AND MEETS VW-1 FLAME TEST.

3 TUBING VFP21 IS CSA CERTIFIED AND MEETS VW-1 FLAME TEST.

4 TUBING FP21 IS UNMARKED AND MEETS REQUIREMENTS OF AMS-DTL-23053/5-102-0

5. WEIGHT PER LINEAR FOOT/304.8 mm:  
.51 g/.001 lbs.

6. MATERIAL: BLACK POLYOLEFIN

If this document is printed it becomes uncontrolled. Check for the latest revision

4	4	304.8 m [1000 ft] MINIMUM	1-603322-2
		1.22 m [4 ft] MINIMUM	1-603322-1
1	2 3	304.8 m [1000 ft] MINIMUM	603322-3
		1.22 m [4 ft] MINIMUM	603322-1
MARKING	NOTES	LENGTH L	PART NUMBER

### SPECIFICATION CONTROL DRAWING

UNLESS OTHERWISE SPECIFIED DIMENSIONS ARE IN mm. INCH DIMENSIONS ARE IN BRACKETS.	DRAWN UNGUYEN	DATE 10/13/2006	<b>tyco</b> Tyco Electronics Corporation <b>Electronics</b> 300 Constitution Drive Menlo Park, CA. USA 94025 <b>Raychem</b>	
	RPN	CAD NAME R060222	TITLE AMPSULATION VFP21 AND FP21 1/16 INCH ID, BLACK	
DECIMALS .XX ± .01 [.0004 in] .X ± .1 [.004 in]	THIRD ANGLE PROJECTION	SIZE B	CODE IDENT. NO. 06090	DWG. NO. 603322
ANGLES .X ± 0.5 DEG		DO NOT SCALE THIS DRAWING		SHEET 1 OF 1

单击下面可查看定价，库存，交付和生命周期等信息

[>>TE Connectivity\(泰科\)](#)