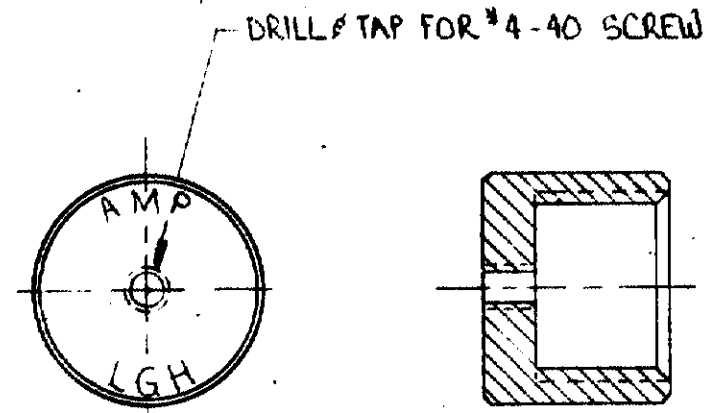
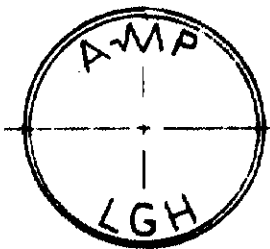
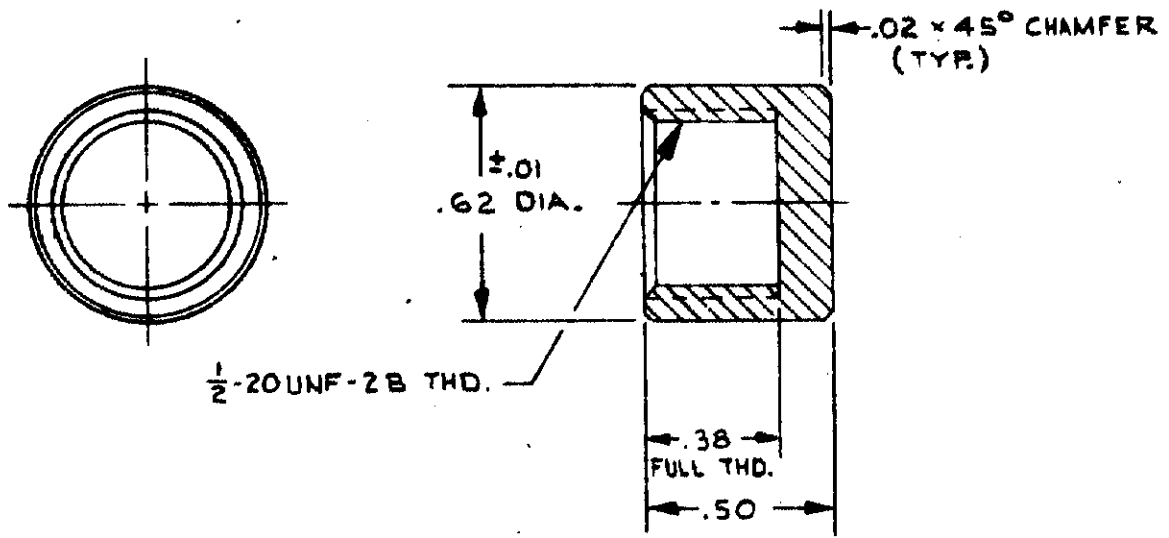


© 1968 BY AMP INCORPORATED. ALL RIGHTS RESERVED. AMP PRODUCTS COVERED BY PATENTS AND/OR PATENTS PENDING.

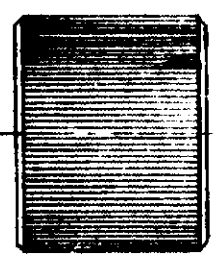
THIS PRODUCT DESIGNED AND BUILT BY AMP INCORPORATED. NO LICENSE TO USE THAT DESIGN OR MANUFACTURE, OR TO USE ANY ISSUED OR PENDING PATENTS WHICH ARE INVOLVED, IS IMPLIED.

850513

REVISIONS				
ZONE	LTR	DESCRIPTION	DATE	APPROVED
	A	ADDED -2	RN 9/6/87	
	B	OBSOLETE -2 ECN 53630	1-29-87	JM



OBSOLETE 850513-2 SAME AS -1 EXCEPT: #4-40 HOLE, DRILLED & TAPPED



QTY REQD	QTY REQD	ITEM NO.	DWG SIZE	PART OR IDENTIFYING NO.	NOMENCLATURE OR DESCRIPTION	SYMBOL
-2	-1					

UNLESS OTHERWISE SPECIFIED: DIMENSIONS ARE IN INCHES TOLERANCES .00 = ±.02 ANGLES ±.2° .000 = ±		CONTRACT NO. DR <i>ECralt 6-27-68</i>	<b>AMP</b> AMP INCORPORATED CAPITRON DIVISION. ELIZABETHTOWN, PENNSYLVANIA
MATERIAL: <i>Aluminum</i>	APPD <i>[Signature]</i>	NAME LGH-1 & IL CAP (DUST COVER)	
FINISH: <i>GREEN</i>	DSGN APPD	OTHER APPD	SIZE <b>B</b>
NEXT ASSY	FINAL ASSY	NEXT ASSY	USED ON
QTY REQD	APPLICATION		SCALE 2:1
			WT
			NUMBER <b>850513</b>
			SHEET 1 OF 1

CUSTOMER DRAWING

单击下面可查看定价，库存，交付和生命周期等信息

[>>TE Connectivity\(泰科\)](#)