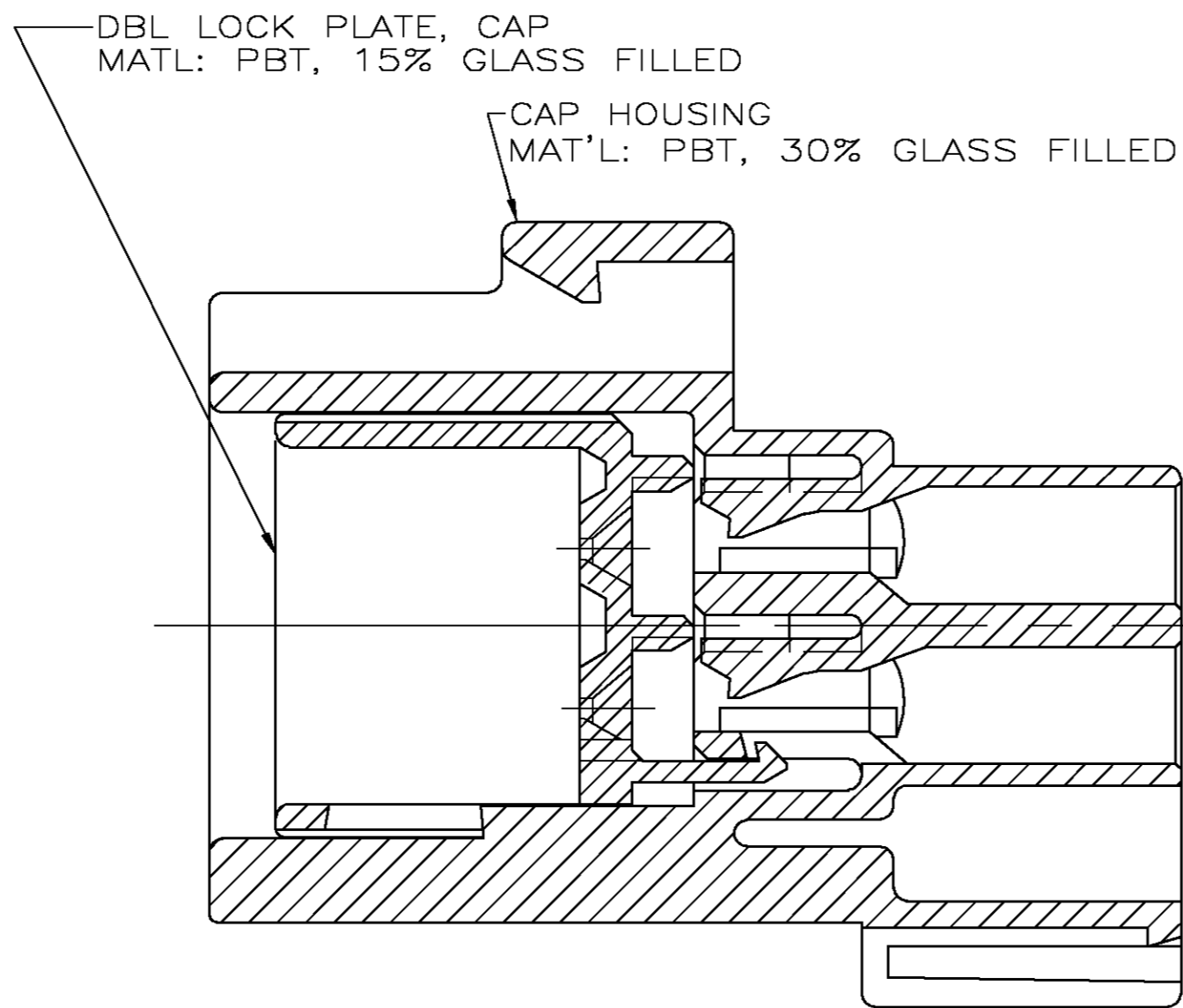
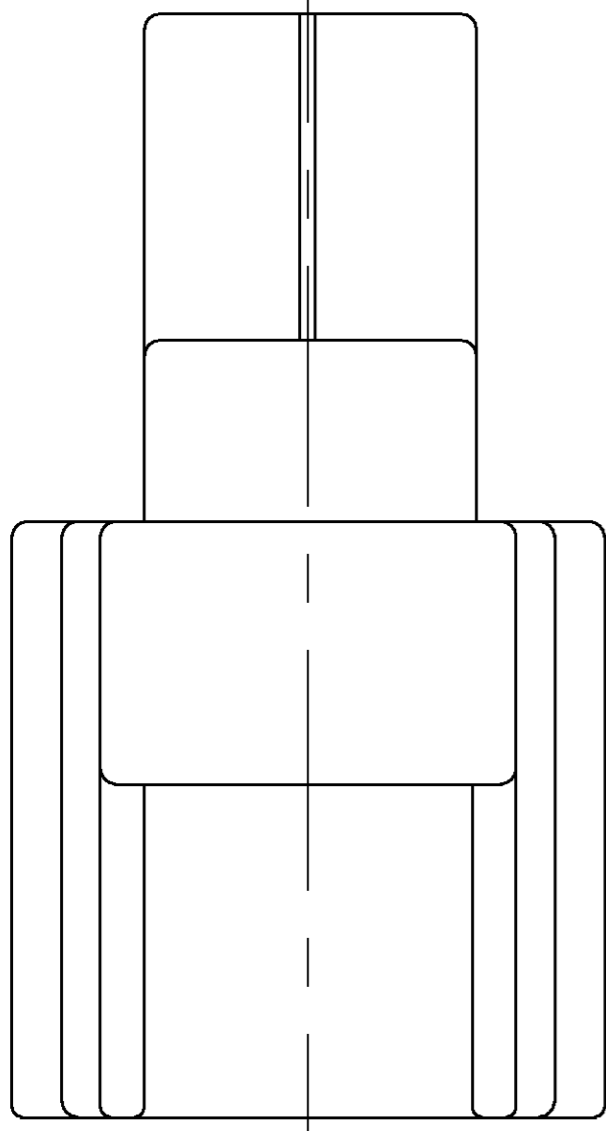
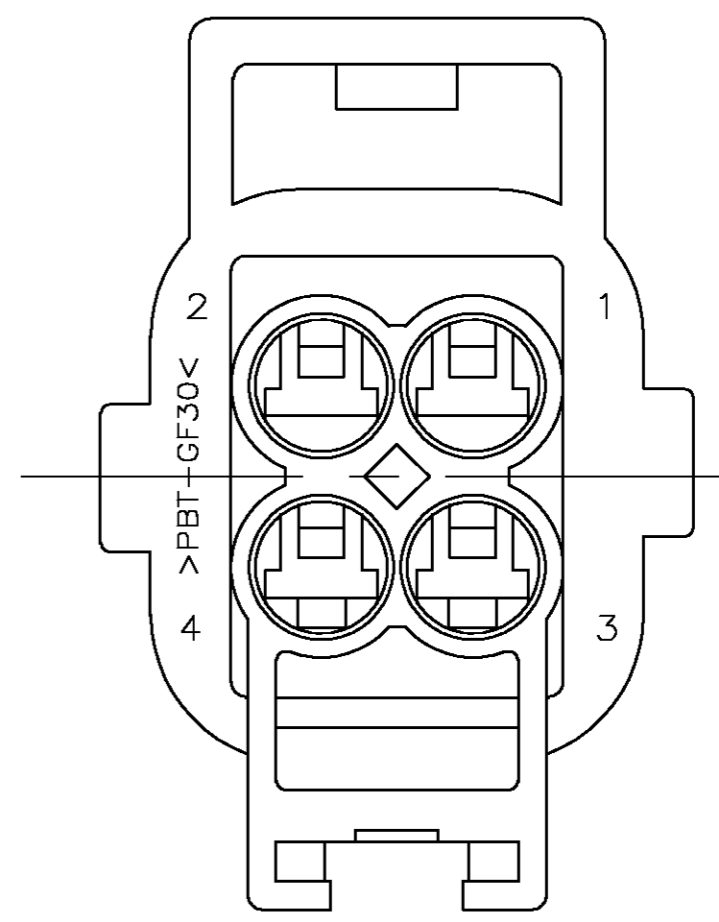
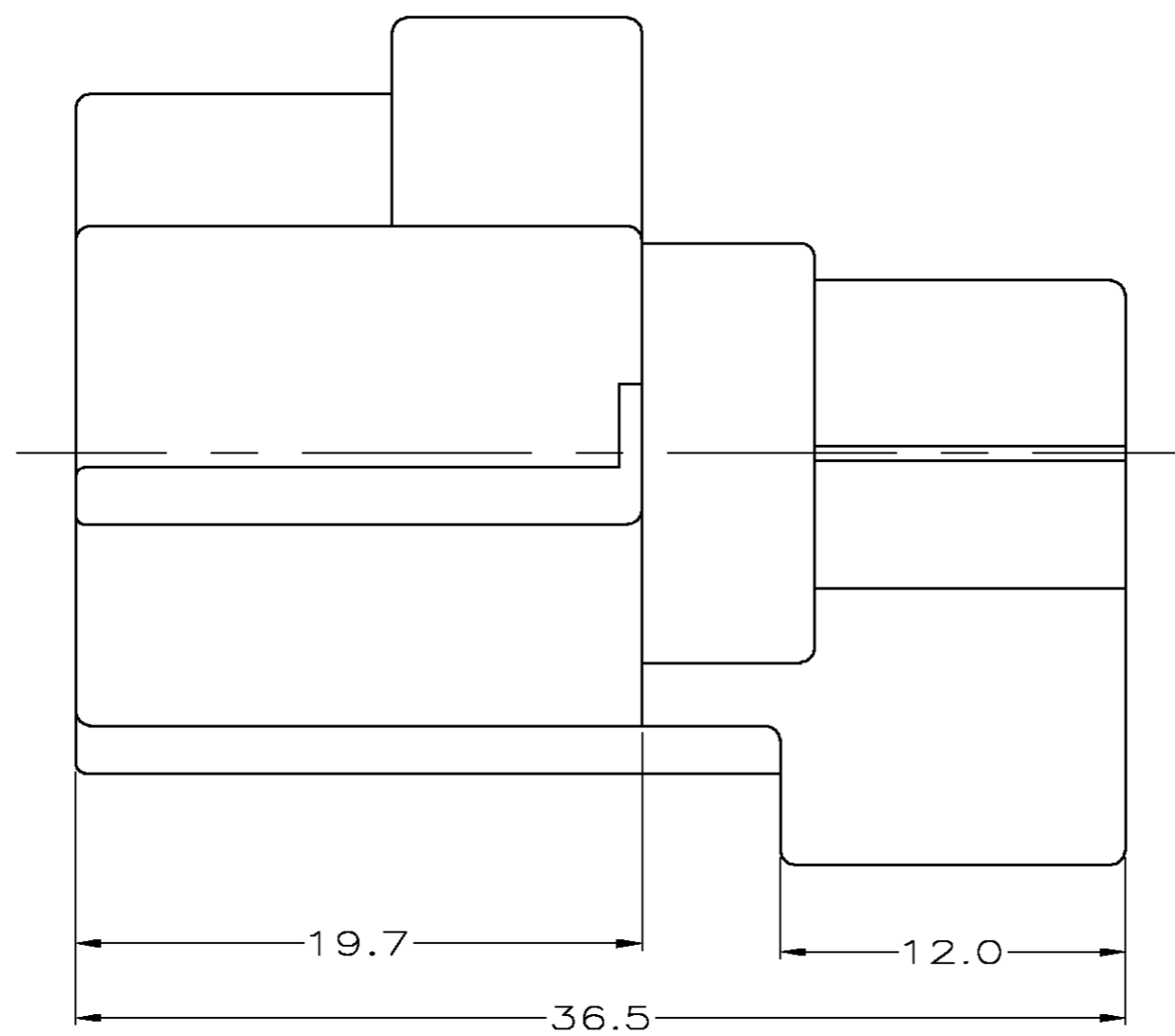
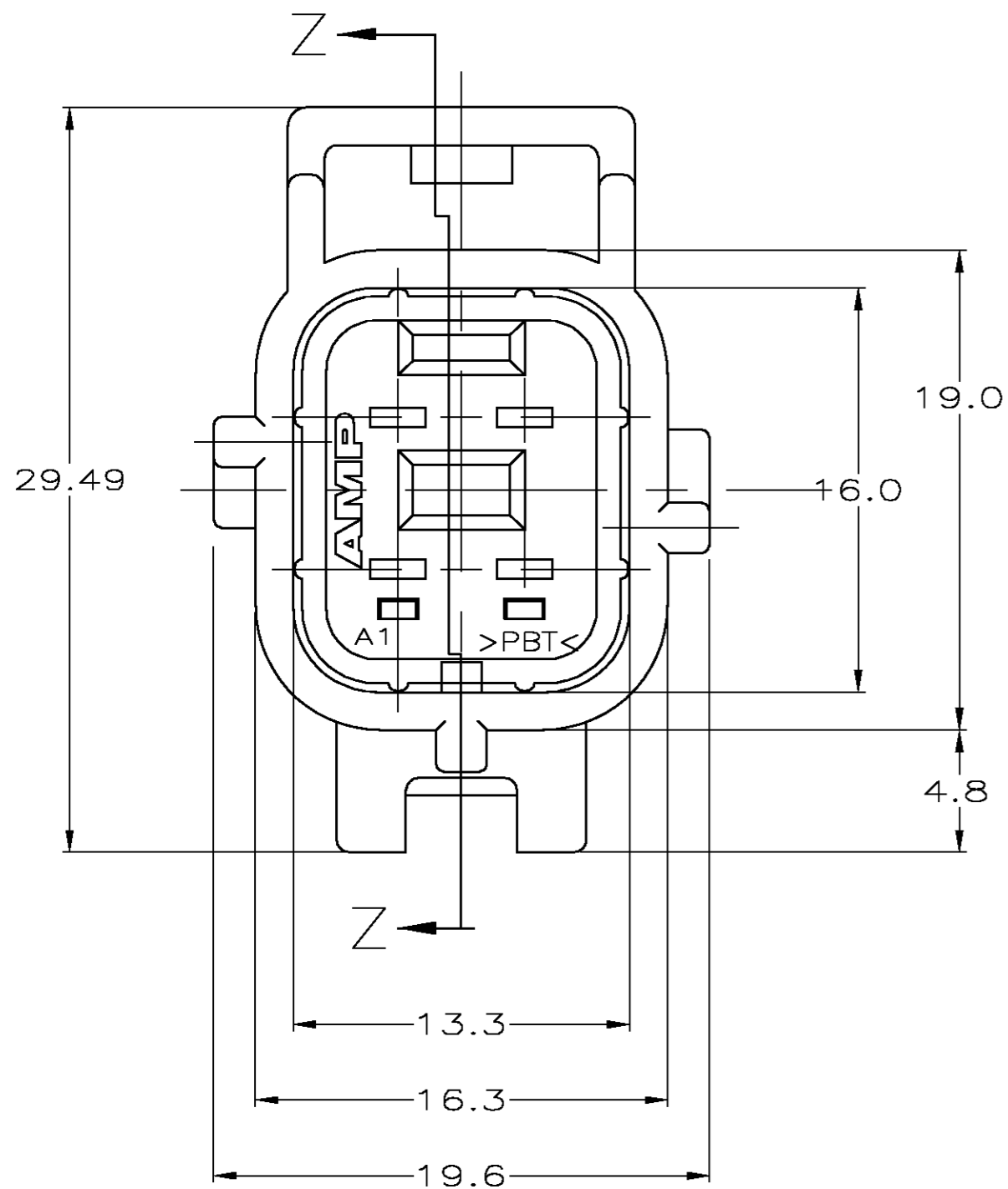


THIS DRAWING IS UNPUBLISHED. RELEASED FOR PUBLICATION
 © COPYRIGHT BY TYCO ELECTRONICS CORPORATION. ALL RIGHTS RESERVED.

LOC	DIST	REVISIONS			
P	LTR	DESCRIPTION	DATE	DWN	APVD
GE	00	G	EC 0K40-0014-03	03FEB03	JRB KLC



SECTION Z-Z
SCALE 4:1



GRAY	184355-2
BLACK	184355-1
CAP COLOR	PART NUMBER

THIS DRAWING IS A CONTROLLED DOCUMENT.		DWN P. YEAGER 02AUG99	Tyco Electronics Corporation Harrisburg, PA 17105-3608	
DIMENSIONS: MM		CHK G. INHOFFER 02AUG99	NAME 2 X 2 CAP ASY, KEY B-C3	
TOLERANCES UNLESS OTHERWISE SPECIFIED:		APVD G. INHOFFER 02AUG99	PRODUCT SPEC	
0 PLC ± - 1 PLC ± 0.3 2 PLC ± 0.30 3 PLC ± - 4 PLC ± - ANGLES ± - FINISH -		APPLICATION SPEC	RESTRICTED TO	
MATERIAL		WEIGHT	SIZE A2	CAGE CODE 00779
		CUSTOMER DRAWING	DRAWING NO C=184355	
		SCALE 4:1	SHEET 1	REV G

单击下面可查看定价，库存，交付和生命周期等信息

[>>TE Connectivity\(泰科\)](#)