

4

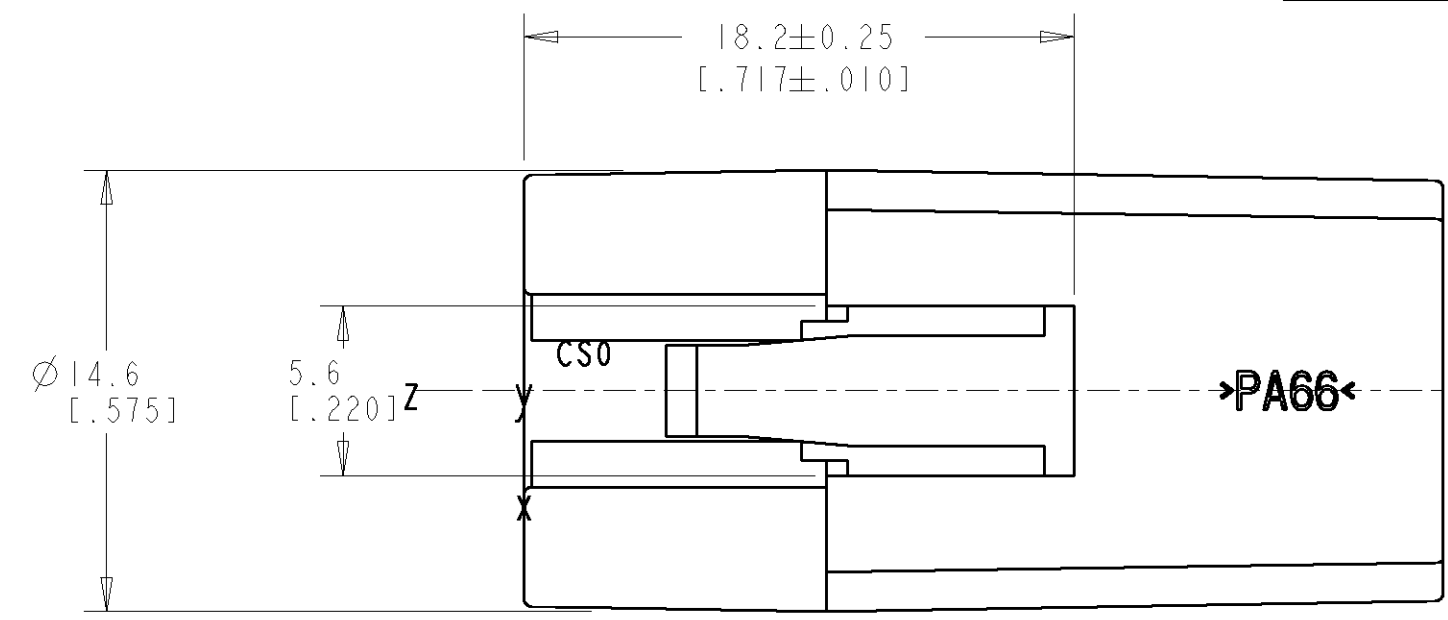
3

2

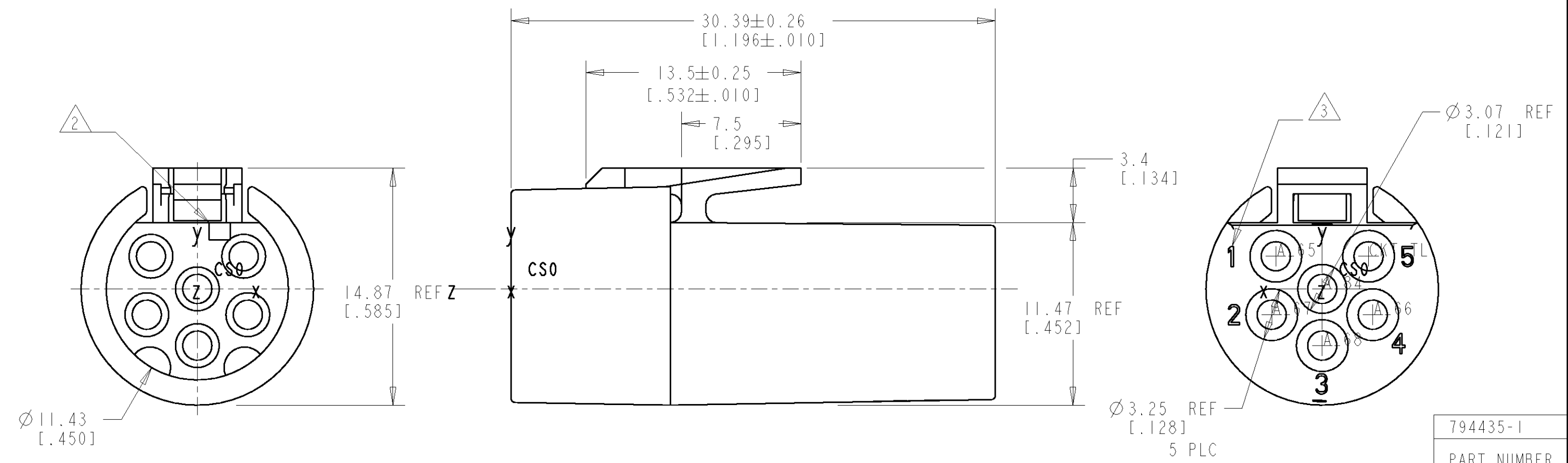
1

THIS DRAWING IS UNPUBLISHED. RELEASED FOR PUBLICATION .19 .  
 © COPYRIGHT 19 BY AMP INCORPORATED. ALL RIGHTS RESERVED.

LOC	DIST	REVISIONS			
P	LTR	DESCRIPTION	DATE	DWN	APVD
CM	53	C	REVISED PER EC 063B-0015-99	19JULY99	KW KC



- 1 MATERIAL: UL 94V-2 RATED NYLON. COLOR- NATURAL.
- 2 MOLD CAVITY IDENTIFICATION LOCATED ON THIS SURFACE.
- 3 CIRCUIT IDENTIFICATION LOCATED APPROXIMATELY AS SHOWN. CIRCUIT NUMBER 6 NOT IDENTIFIED.
- 4. DIMENSIONS IN BRACKETS ARE IN INCHES.



794435-1  
PART NUMBER

<small>THIS DRAWING IS A CONTROLLED DOCUMENT FOR AMP INCORPORATED. IT IS SUBJECT TO CHANGE AND THE CONTROLLING ENGINEERING ORGANIZATION SHOULD BE CONTACTED FOR THE LATEST REVISION.</small>		DWN K. WHITAKER 06NOV1998 CHK R. SWING 06NOV1998 APVD K. COBLE 06NOV1998	<b>AMP</b> AMP Incorporated Harrisburg, PA 17105-3608
DIMENSIONS: mm	TOLERANCES UNLESS OTHERWISE SPECIFIED: 0 PLC ±- 1 PLC ±0.13 [.005] 2 PLC ±- 3 PLC ±- 4 PLC ±- ANGLES ±-	PRODUCT SPEC - APPLICATION SPEC - WEIGHT -	NAME PLUG HOUSING, HINGE CONNECTOR, MINI UNIVERSAL MATE-N-LOK™
MATERIAL 	FINISH -	CUSTOMER DRAWING	SIZE A3 CAGE CODE 00779 DRAWING NO. 794435
		SCALE 4:1 SHEET 1 OF 1 REV C	

单击下面可查看定价，库存，交付和生命周期等信息

[>>TE Connectivity\(泰科\)](#)