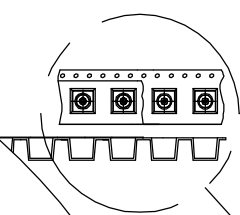
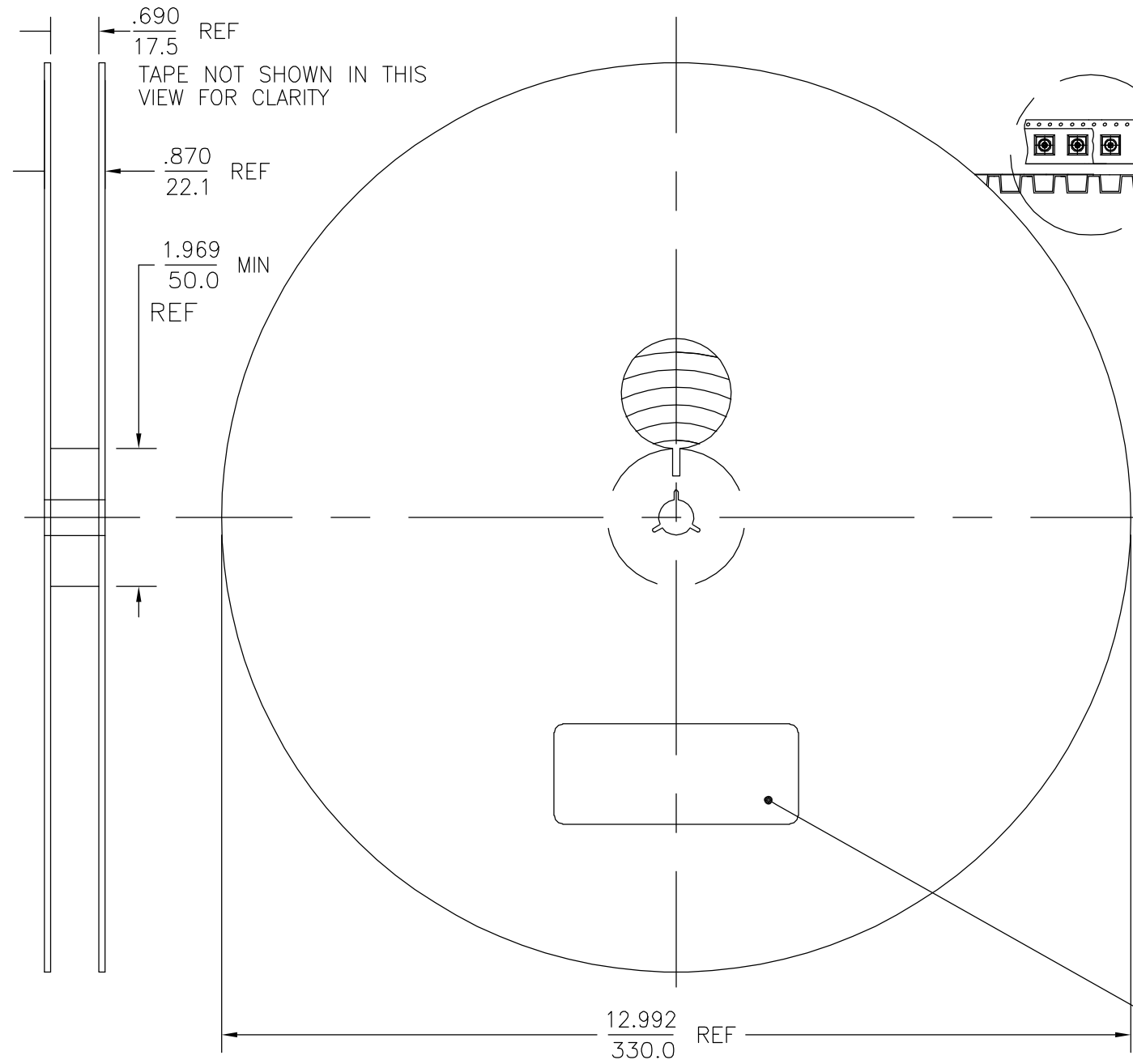
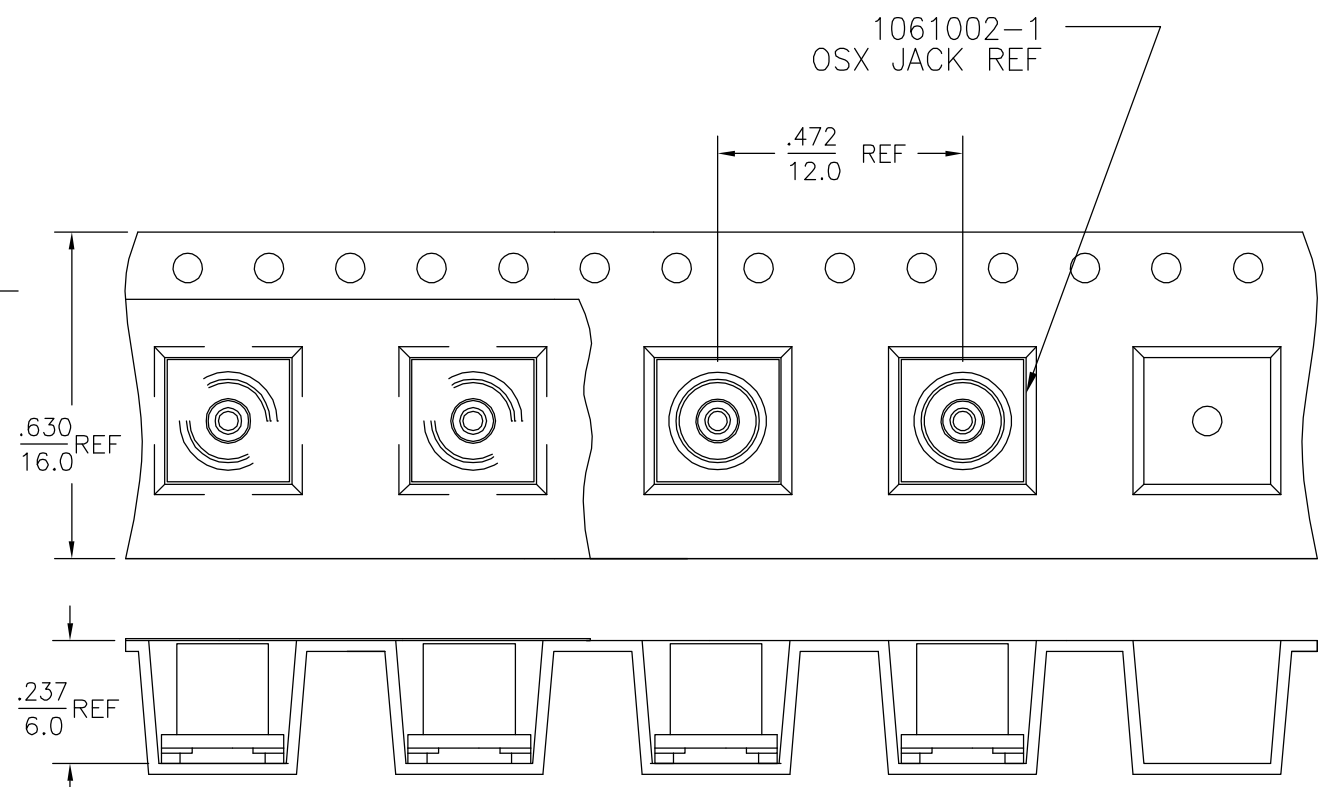


THIS DRAWING IS UNPUBLISHED. RELEASED FOR PUBLICATION  
 © COPYRIGHT BY TYCO ELECTRONICS CORPORATION. ALL RIGHTS RESERVED.

LOC	DIST	REVISIONS					
AJ	00	P	LTR	DESCRIPTION	DATE	DWN	APVD
			B	REV PER ECO 06-016771	1/18/2007	DW	KW



SEE DETAIL A



DETAIL A  
SCALE: 3:1

REEL IDENTIFICATION LABEL REF (SEE NOTE 5)

1. TAPE, REEL, AND TAPING SHALL MEET THE REQUIREMENTS OF EIA-481-2.
2. EMBOSSED TAPE SHALL BE CONDUCTIVE TYPE.
3. FOR PART ORIENTATION IN TAPE SEE DETAIL A.
4. REEL SHALL CONTAIN 900 PIECES P/N 1061002-1
5. REEL IDENTIFICATION LABEL SHALL BE PRINTED WITH REEL P/N, CONNECTOR P/N, MANUFACTURER QTY, AND TAPING DATE AS A MINIMUM.

1061092-1  
PART NUMBER

THIS DRAWING IS A CONTROLLED DOCUMENT.		DWN	B.B.	04-07-94	<b>tyco</b> <b>Electronics</b>	Tyco Electronics Corporation Harrisburg, Pa 17105-3608	
DIMENSIONS: INCHES [mm]		CHK	-	-		NAME TAPE & REEL PACKAGING OSX JACK, 330mm REEL (900 PARTS PER REEL) (5899-5004-54)	SIZE
TOLERANCES UNLESS OTHERWISE SPECIFIED:		APVD	P.R.	04-07-94	PRODUCT SPEC		CAGE CODE
0 PLC ± -		APPLICATION SPEC	-	-	DRAWING NO	C-1061092	
1 PLC ± -		WEIGHT	-	-	RESTRICTED TO	-	
2 PLC ± -		MATERIAL		-	SCALE	1:2	SHEET 1 OF 1
3 PLC ± -		FINISH		-	REV	B	
4 PLC ± -		CUSTOMER DRAWING					
ANGLES ± 1°							

单击下面可查看定价，库存，交付和生命周期等信息

[>>TE Connectivity\(泰科\)](#)