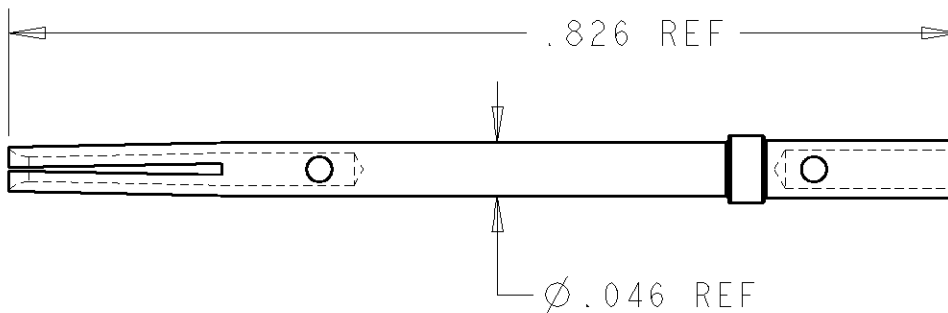


LOC	DIST	REVISIONS			
P	LTR	DESCRIPTION	DATE	DWN	APVD
DF	A5	0	DRAWN - RELEASED PER OH14-0039-05	12JAN2005	BY RW



1. THIS SOCKET CONTACT IS A REPLACEMENT COMPONENT FOR USE ON QUADRAX SOCKET ASSEMBLY AS SHOWN ON THE FOLLOWING DRAWING(S): 1445693.

20

RELEASED FOR PUBLICATION

THIS DRAWING IS UNPUBLISHED.

BY TYCO ELECTRONICS CORPORATION. ALL RIGHTS RESERVED.

© COPYRIGHT 20

50	1445700-5
BULK PACKAGE QUANTITY	PART NUMBER

DIMENSIONS: IN	DWN Brent D. Yohn	12JAN2005	MATERIAL	-	FINISH	-
	CHK R.P. WALTER	13JAN2005	Tyco Electronics Harrisburg, PA 17105-3608			
TOLERANCES UNLESS OTHERWISE SPECIFIED:	APVD R.P. WALTER	13JAN2005				
0 PLC ±-	PRODUCT SPEC		NAME CONTACT, SOCKET, CRIMP, SIZE 24, QUADRAX			
1 PLC ±-	-		SIZE			
2 PLC ±-	APPLICATION SPEC		CAGE CODE			
3 PLC ±-	-		DRAWING NO			
4 PLC ±-	-		RESTRICTED TO			
ANGLES ±-	WEIGHT		A 400779 C=1445700			
			CUSTOMER DRAWING			
			SCALE	6:1	SHEET	1 OF 1
			REV 0			

单击下面可查看定价，库存，交付和生命周期等信息

[>>TE Connectivity\(泰科\)](#)