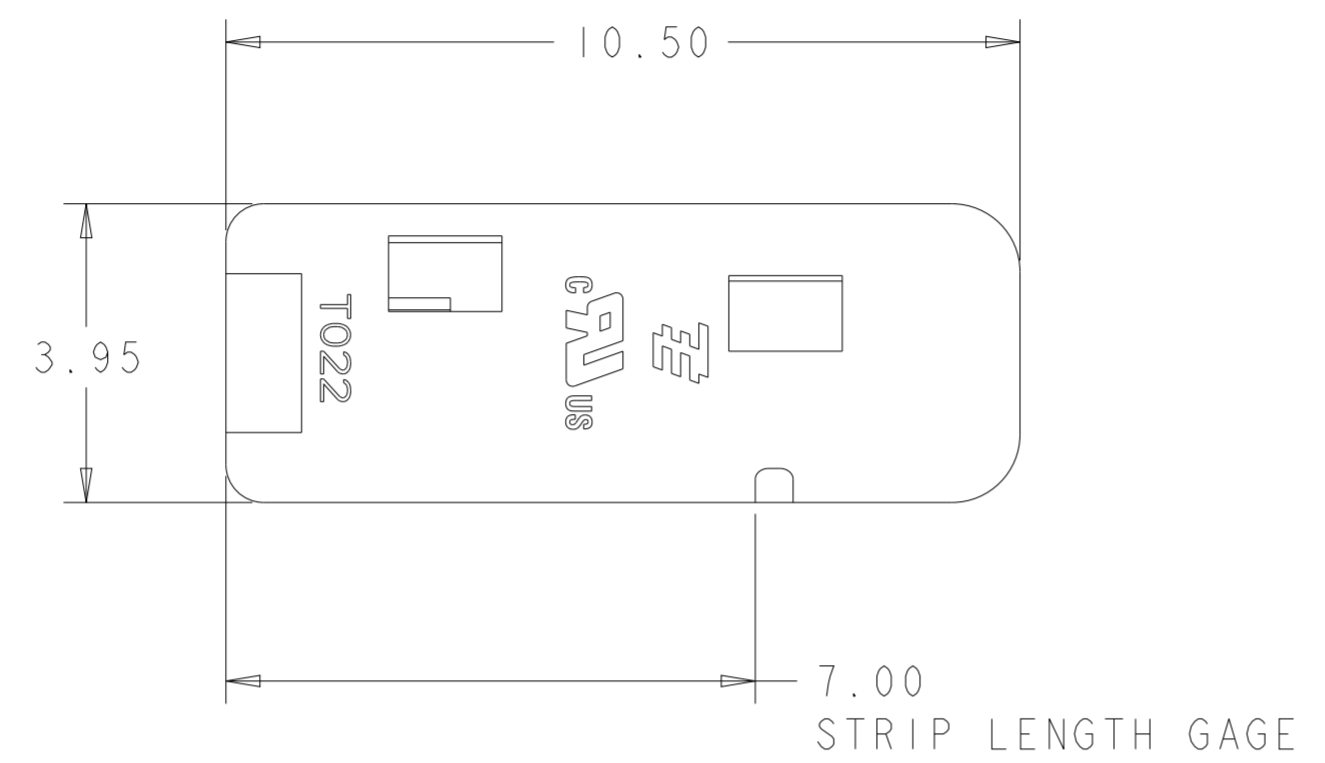


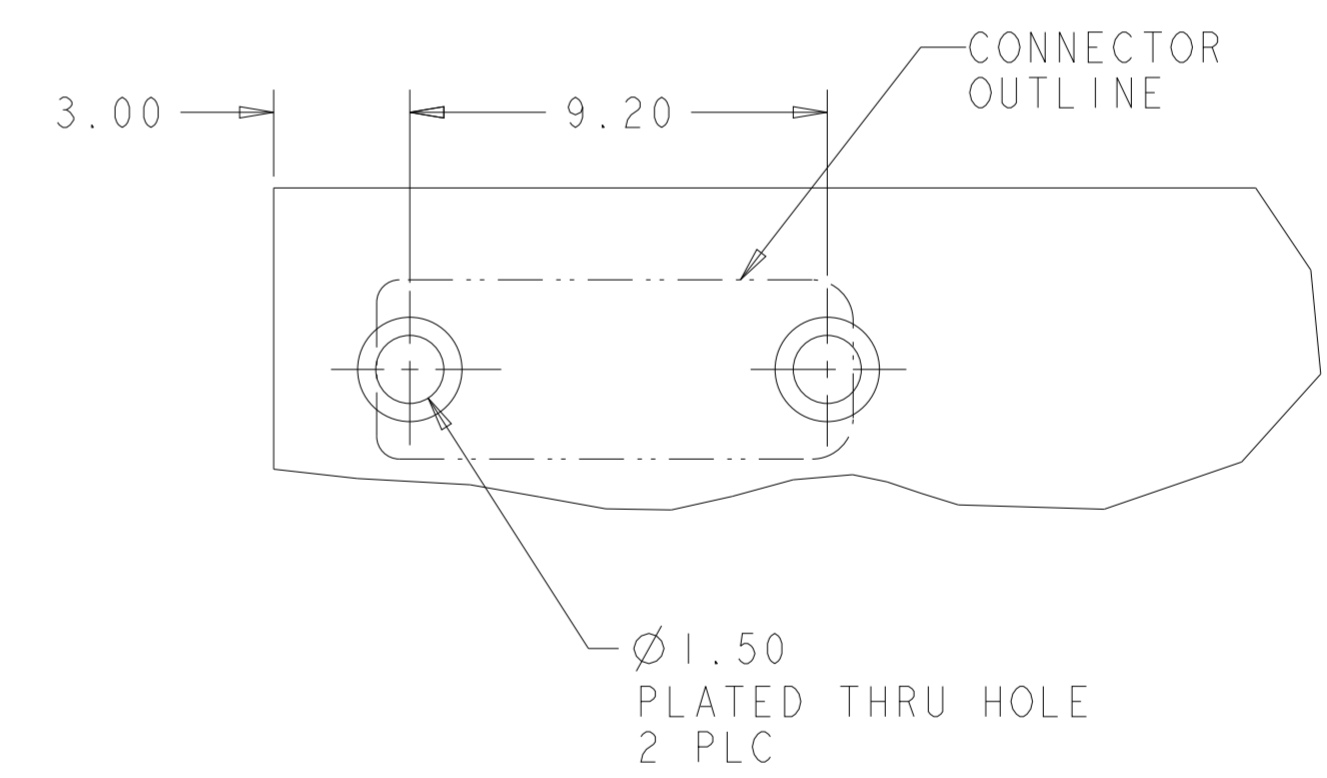
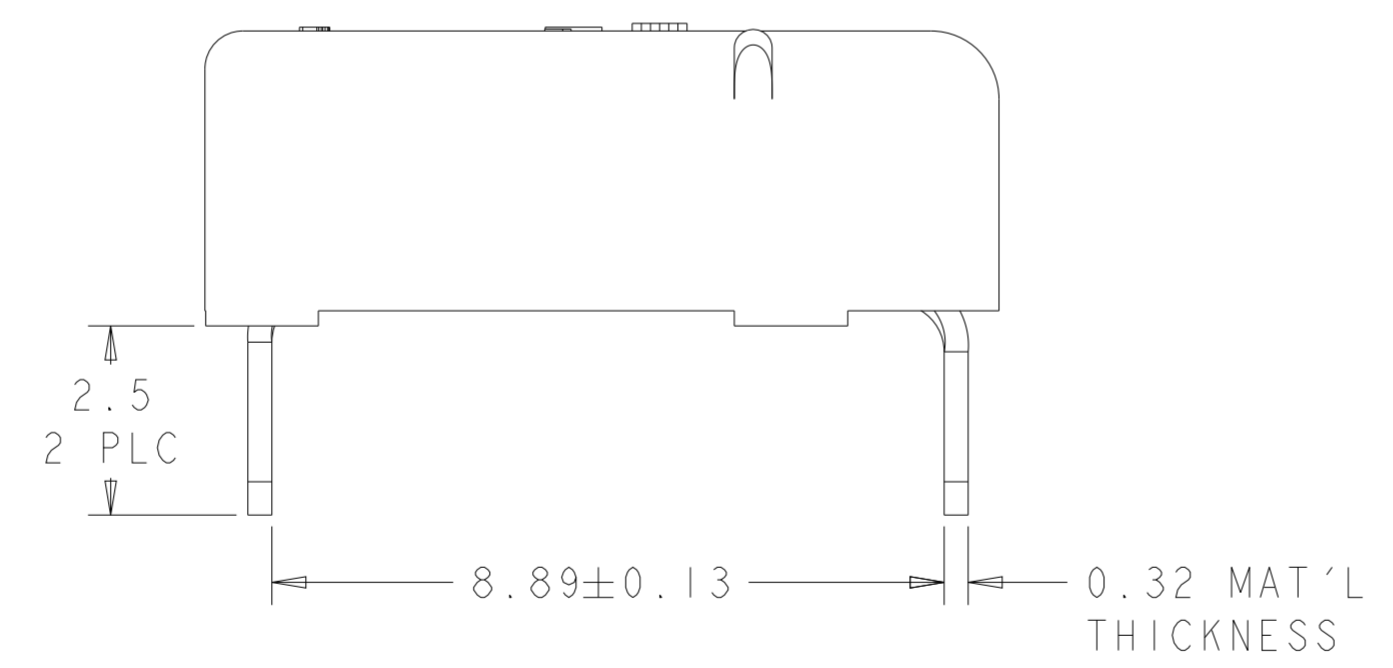
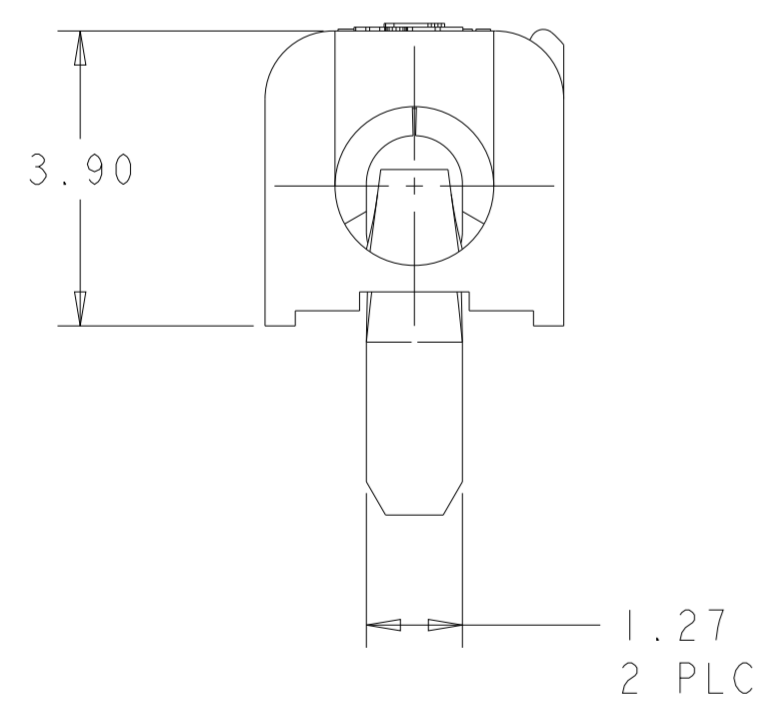
REVISIONS					
P	LTR	DESCRIPTION	DATE	DWN	APVD
A		REVISED PER ECR-09-006557	25MAR2009	HMR	DD
AI		REVISED PER ECR-21-003871	15APR2021	SR	JL

- ⚠ MATERIALS AND FINISH:
  - HOUSING: LCP, COLOR: WHITE
  - CONTACTS: COPPER ALLOY, FINISH: TIN
- 2. MUST COMPLY WITH DIRECTIVE 2002/95/EC (ROHS)



- 4. WIRE TYPES AND SIZES ACCEPTED
  - 18, 20 AND 22 AWG SOLID WIRE
  - 18 AND 20 AWG PREBOND STRANDED WIRE
  - 18 AWG STRANDED WIRE (16 STRAND COUNT)
  - MAX INSULATION OD: 2.10 MM (.083")
  - STRIP LENGTH: 7.0±1.0 (.276")
- 5. PACKAGED IN TAPE AND REEL

- ⚠ MATERIALS AND FINISH:
  - HOUSING: LCP, COLOR: BLACK
  - CONTACTS: COPPER ALLOY, FINISH: TIN

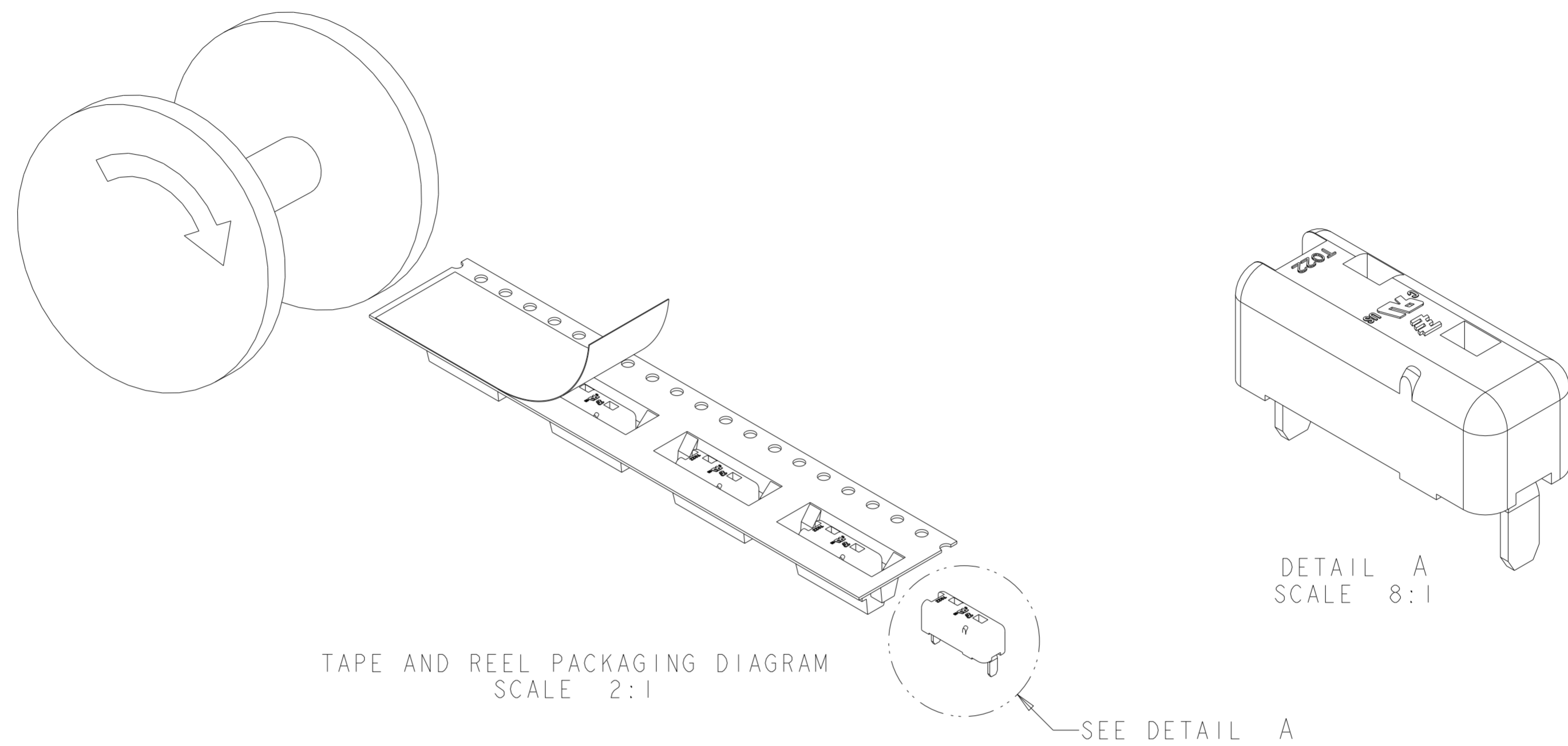


RECOMMENDED PCB LAYOUT  
SCALE 6:1

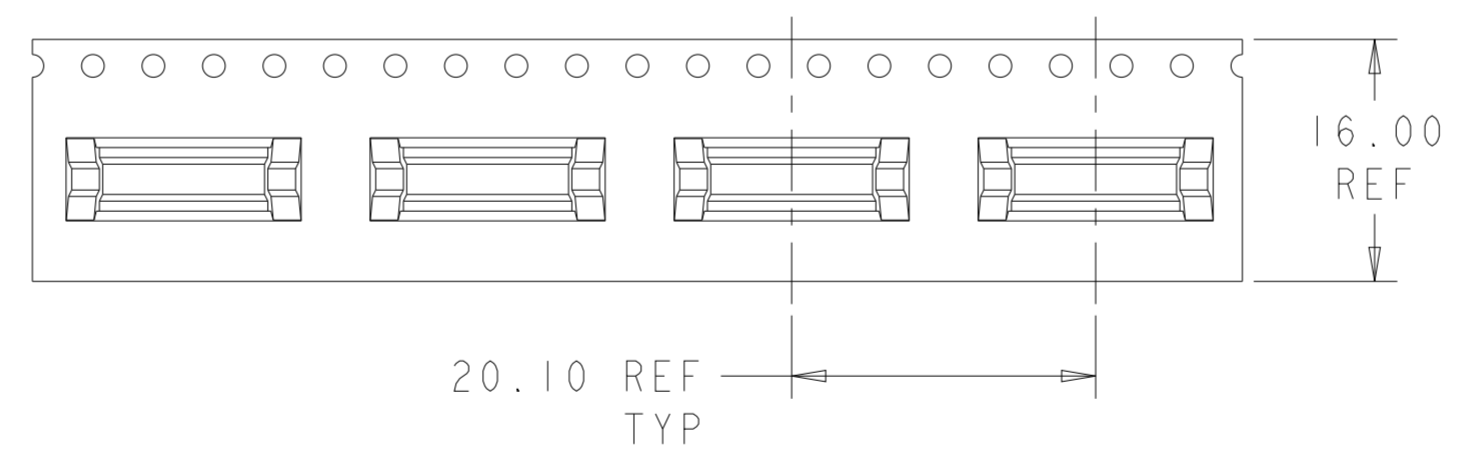
OBSOLETE	⚠	BLACK	2008839-2
	⚠	WHITE	2008839-1
	MATERIAL	COLOR	PART NUMBER

THIS DRAWING IS A CONTROLLED DOCUMENT.		DWN GURURAJ S	17OCT2007	TE Connectivity	
DIMENSIONS: mm		CHK	-		
TOLERANCES UNLESS OTHERWISE SPECIFIED:		APVD	-	NAME POKE-IN LED CONNECTOR ASSEMBLY, 1 POSITION, THRU HOLE	
0 PLC	±	PRODUCT SPEC	-	APPLICATION SPEC	
1 PLC	±0.2	APPLIC. SPEC	-	SIZE	CAGE CODE
2 PLC	±0.13	WEIGHT	-	A2	00779
3 PLC	±	CUSTOMER DRAWING	-	DRAWING NO	C-2008839
4 PLC	±	SCALE	10:1	SHEET	1 OF 2
ANGLES	±3	REV	AI		
FINISH	SEE TABLE				

REVISIONS					
P	LTR	DESCRIPTION	DATE	DWN	APVD
-	-	SEE SHEET 1	-	-	-



TAPE AND REEL PACKAGING DIAGRAM  
SCALE 2:1



THIS DRAWING IS A CONTROLLED DOCUMENT.		DWN GURURAJ S	17OCT2007	<b>STE</b> TE Connectivity	
DIMENSIONS: mm		CHK -	APVD -		
TOLERANCES UNLESS OTHERWISE SPECIFIED:		PRODUCT SPEC -		APPLICATION SPEC -	
0 PLC ±		WEIGHT -		SIZE A2	CAGE CODE 00779
1 PLC ±0.2		CUSTOMER DRAWING		DRAWING NO C-2008839	RESTRICTED TO
2 PLC ±0.13		SCALE 10:1		SHEET 2 OF 2	REV A1
3 PLC ±					
4 PLC ±					
ANGLES ±3					
FINISH SEE TABLE					

单击下面可查看定价，库存，交付和生命周期等信息

[>>TE Connectivity\(泰科\)](#)