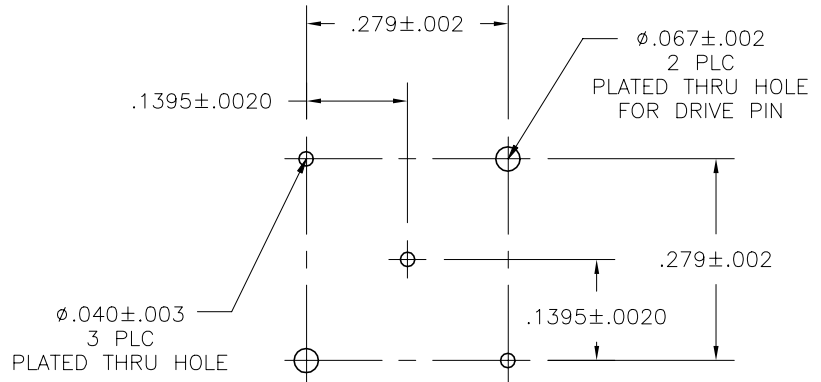
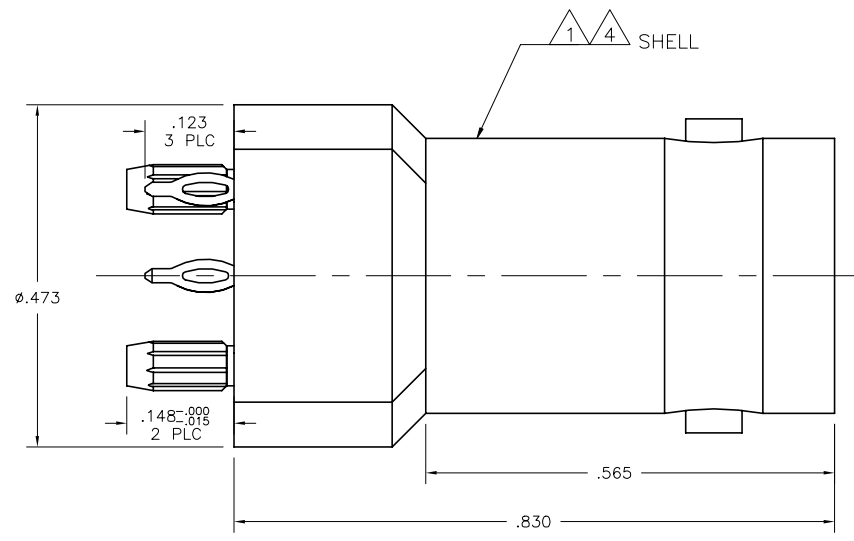
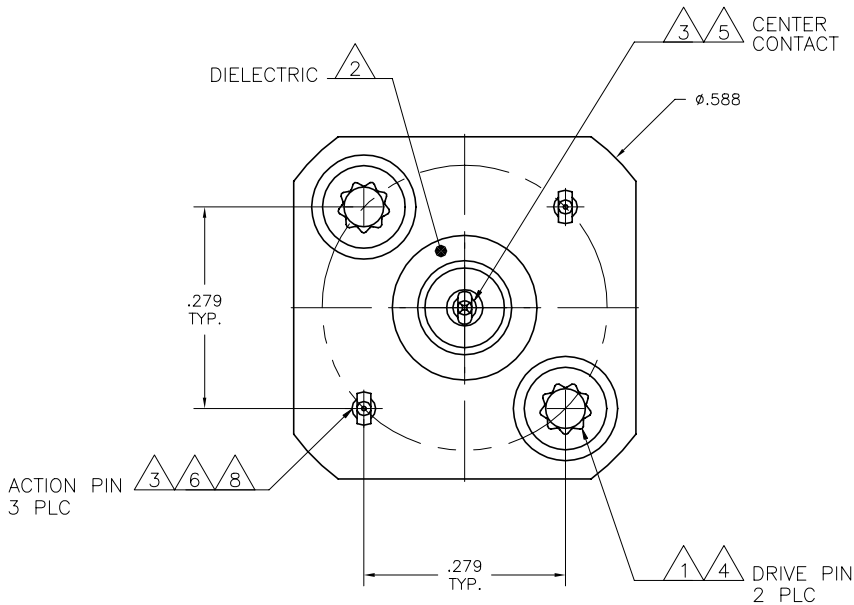


REVISIONS			
REV	DATE	BY	APP'D
C1	20MAR2020	RZ	RS



- 1 BRASS PER ASTM-B-16
- 2 PTFE
- 3 PHOSPHOR BRONZE PER ASTM-B-139
- 4 NICKEL PLATE PER QQ-N-290
- 5 GOLD PLATE PER ASTM-B-488
- 6 TIN-LEAD PER ASTM B571 (PB 3% TO 13% BY WEIGHT)
- 7 CUSTOMER METHOD FOR MOUNTING CONNECTOR MUST PREVENT ANY MOVEMENT OF CONNECTOR DURING MATING, IN SERVICE, OR UNMATING.
- 8 TIN PER ASTM B545

PCB CONFIGURATION NTS

8	2016080-2
6	2016080-1
ACTION PIN	PART NUMBER

THIS DRAWING IS A CONTROLLED DOCUMENT.		DRW: G.WALLACE	30APR2008
DIMENSIONS: INCHES		CHK: E.BLASICK	30APR2008
TOLERANCES UNLESS OTHERWISE SPECIFIED:		APP'D: E.BLASICK	NAME: E.BLASICK
Ø	PLC	FRACTION	DECIMAL
1	PLC	± .005	± .005
2	PLC	± .003	± .003
3	PLC	± .002	± .002
4	PLC	± .001	± .001
MATERIAL: -		FINISH: -	WEIGHT: 0.000000
CUSTOMER DRAWING		SIZE: A1	DATE CODE: 00779
		DRAWING NO: 2016080	RESTRICTED TO: -
		SCALE: 10:1	SHEET: 1 OF 1

单击下面可查看定价，库存，交付和生命周期等信息

[>>TE Connectivity\(泰科\)](#)