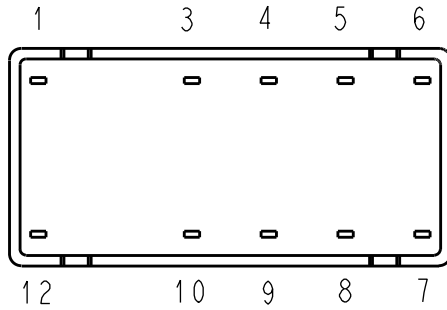
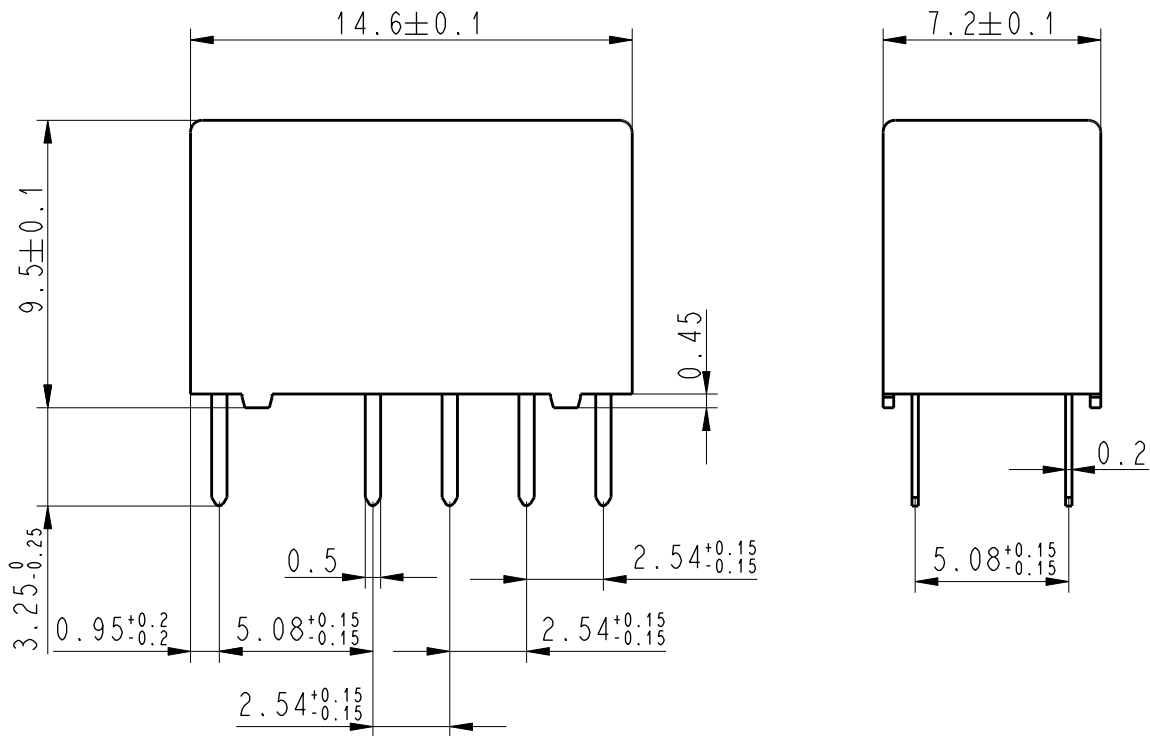


LOC	DIST	REVISIONS					
		P	LTR	DESCRIPTION	DATE	DWN	APVD
HJ	-		A6	Tolerance added	09SEP2009	UKo	HD
			B	Change marking	11SEP2009	UKo	HD
			C	Printing	10MAY2010	UKo	HD
			C1	Printing Date-Code	20AUG2010	UKo	HD



Relay - bottom view



xx = Relay type
YYWW = Date code

DRAWING ALIAS C23303-A079-A001

2006

RELEASED FOR PUBLICATION

THIS DRAWING IS UNPUBLISHED.

© COPYRIGHT 2006 BY TYCO ELECTRONICS CORPORATION. ALL RIGHTS RESERVED.

DIMENSIONS: mm	DWN	Korytak	02Jun2004	MATERIAL	-	FINISH	-						
	CHK	Korytak	02Jun2004	Tyco Electronics AXICOM AG CZ-54101 Trutnov									
TOLERANCES UNLESS OTHERWISE SPECIFIED: DIN 7168-m	APVD	Korytak	02Jun2004										
	PRODUCT SPEC	-			NAME	P2-Relay THT Dimensions							
0 PLC ±-	APPLICATION SPEC	-			SIZE	A 4	CAGE CODE	00779	DRAWING NO	C-1393789-5	RESTRICTED TO	-	
1 PLC ±	WEIGHT	-			SCALE	4:1		SHEET	1	OF	1	REV	C1
2 PLC ±	CUSTOMER DRAWING												
3 PLC ±													
4 PLC ±													
ANGLES ±-													

单击下面可查看定价，库存，交付和生命周期等信息

[>>TE Connectivity\(泰科\)](#)