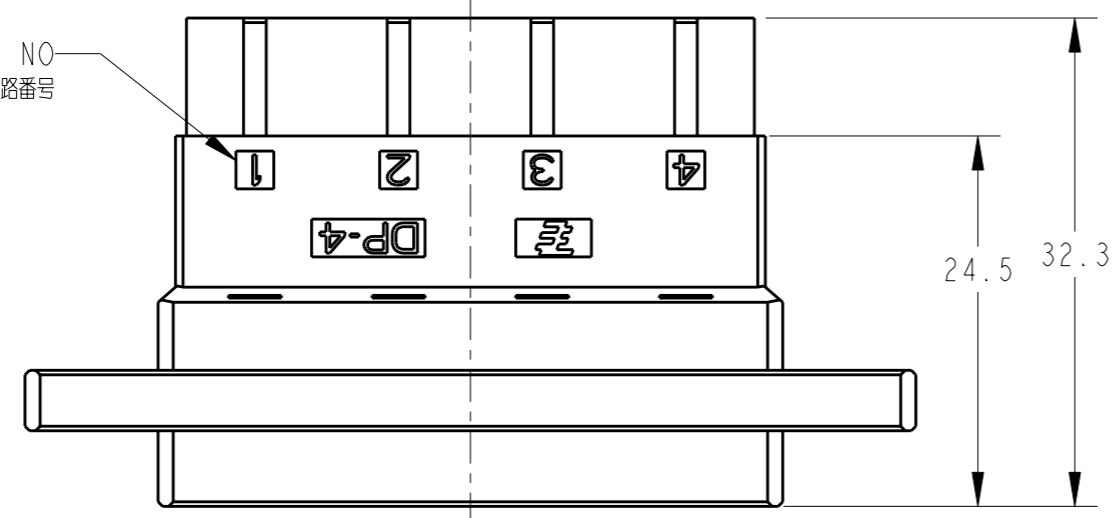


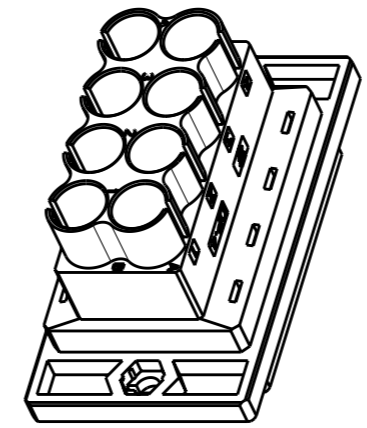
THIS DRAWING IS UNPUBLISHED. RELEASED FOR PUBLICATION 20
 © COPYRIGHT 20 BY TYCO ELECTRONICS CORPORATION. ALL RIGHTS RESERVED.

LOC	DIST	REVISIONS					
J	-	P	LTR	DESCRIPTION	DATE	DWN	APVD
		B		REVISED PER ECR-10-013235	09JUL2010	HMR	TM

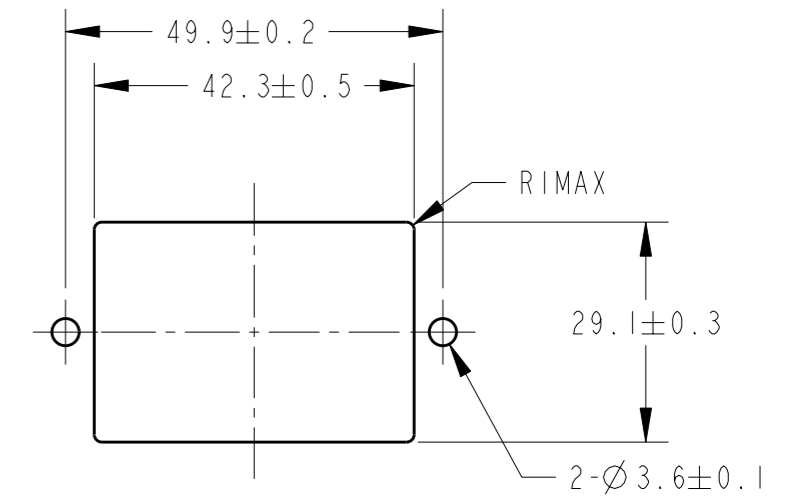
CIRCUIT NO
回路番号



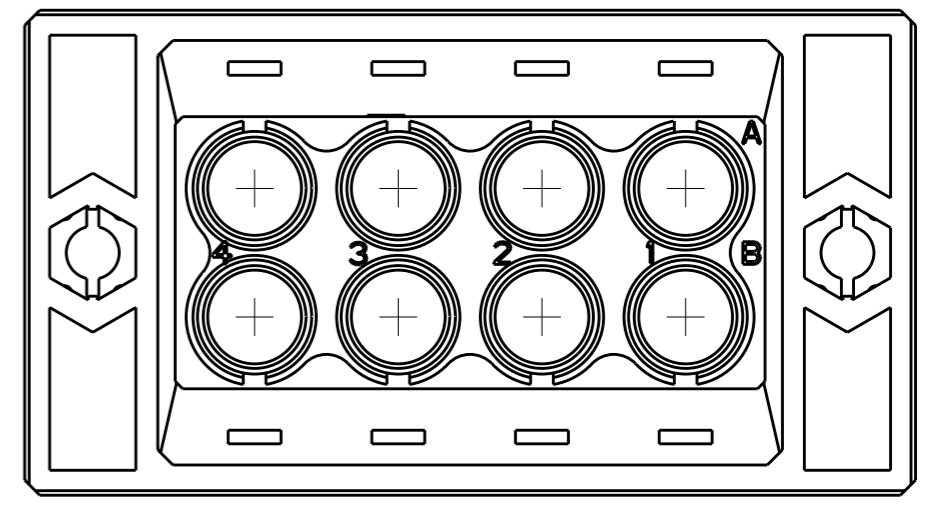
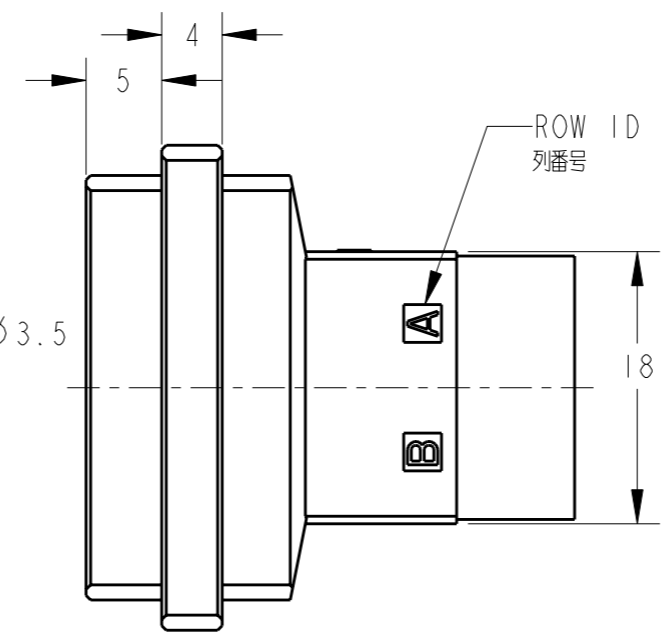
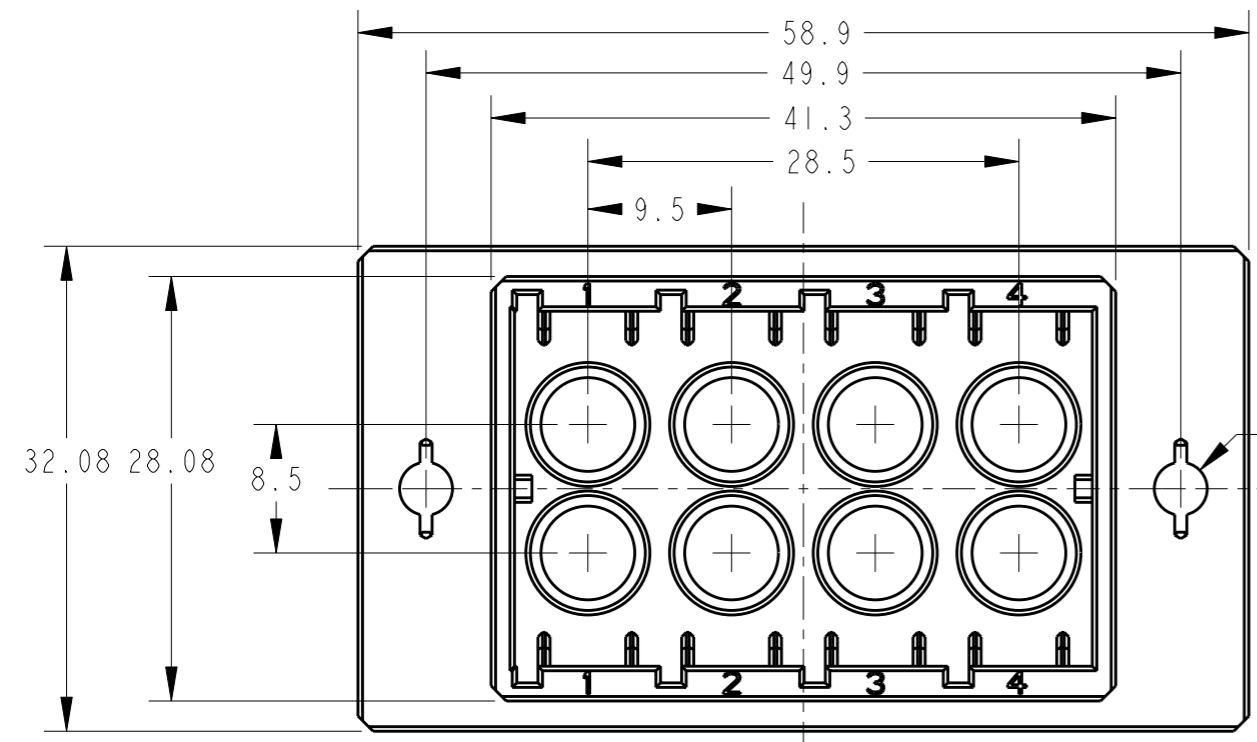
AS SHOWN: 1903106-1



スケール 1:1



パネル加工推奨寸法図
RECOMMENDED PANEL LAYOUT
スケール 1:1



注記

1. 材料:ハウジング:ガラス入り熱可塑性(94V-0)、色:黒
2. パネル取付推奨ネジ:M3SCREW
3. 嵌合コンタクト:オスコンタクト:P/No:1903100-1
:メスコンタクト:P/No:1903289-1
4. 嵌合ハウジング:プラグハウジング8P:P/No:1903104-1
:プラグハウジング2P:P/No:1903105-1

NOTE

1. MATERIAL:HOUSING:GLASS FILED THERMO PLASTIC POLYESTER(94V-0)
COLOR:BLACK
2. PANEL ATTACHEMENT RECOMMENDATION M3 SCREW.
3. MATE CONTACT:MALE CONTACT P/No:1903100-1
:FEMALE CONTACT P/No:1903289-1
3. MATE HSG:PLUG HSG 8P:P/No:1903104-1
:PLUG HSG 2P:P/No:1903105-1

THIS DRAWING IS A CONTROLLED DOCUMENT FOR TYCO ELECTRONICS CORPORATION IT IS SUBJECT TO CHANGE AND THE CONTROLLING ENGINEERING ORGANIZATION SHOULD BE CONTACTED FOR THE LATEST REVISION.		DWN T. Sakamoto 27OCT2006	Tyco Electronics Tyco Electronics AMP K.K. Kawasaki, Japan	
DIMENSIONS: 単位: 耗 mm		CHK D. Mitsugi 27OCT2006	NAME 名称	
TOLERANCES UNLESS OTHERWISE SPECIFIED: 一般公差 0 PLC ± 0.4 1 PLC ± 0.4 2 PLC ± 1° 3 PLC ± 4 PLC ± ANGLES ±		APVD D. Mitsugi 27OCT2006	CAP HSG 8P P/M PNEUMATIC CONNECTOR	
MATERIAL 材料		PRODUCT SPEC 製品規格 108-78406	SIZE A3	RESTRICTED TO
FINISH 仕上		APPLICATION SPEC 取付適用規格	CAGE CODE 00779	REV B
WEIGHT		DRAWING NO C=1903106		SCALE 尺度 2:1
CUSTOMER DRAWING		SHEET 1		OF 1

单击下面可查看定价，库存，交付和生命周期等信息

[>>TE Connectivity\(泰科\)](#)