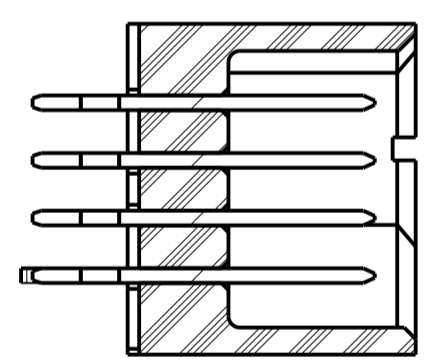
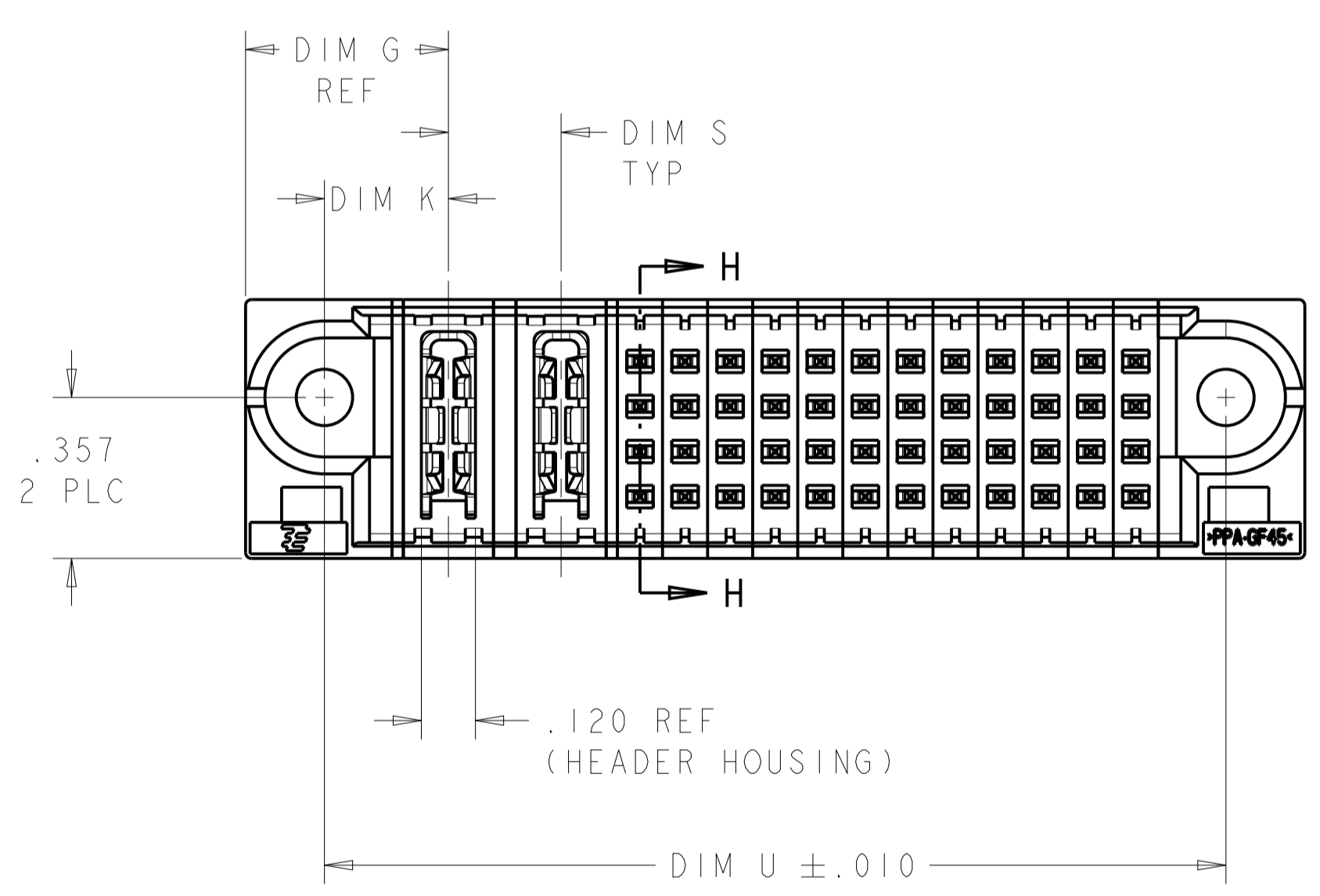
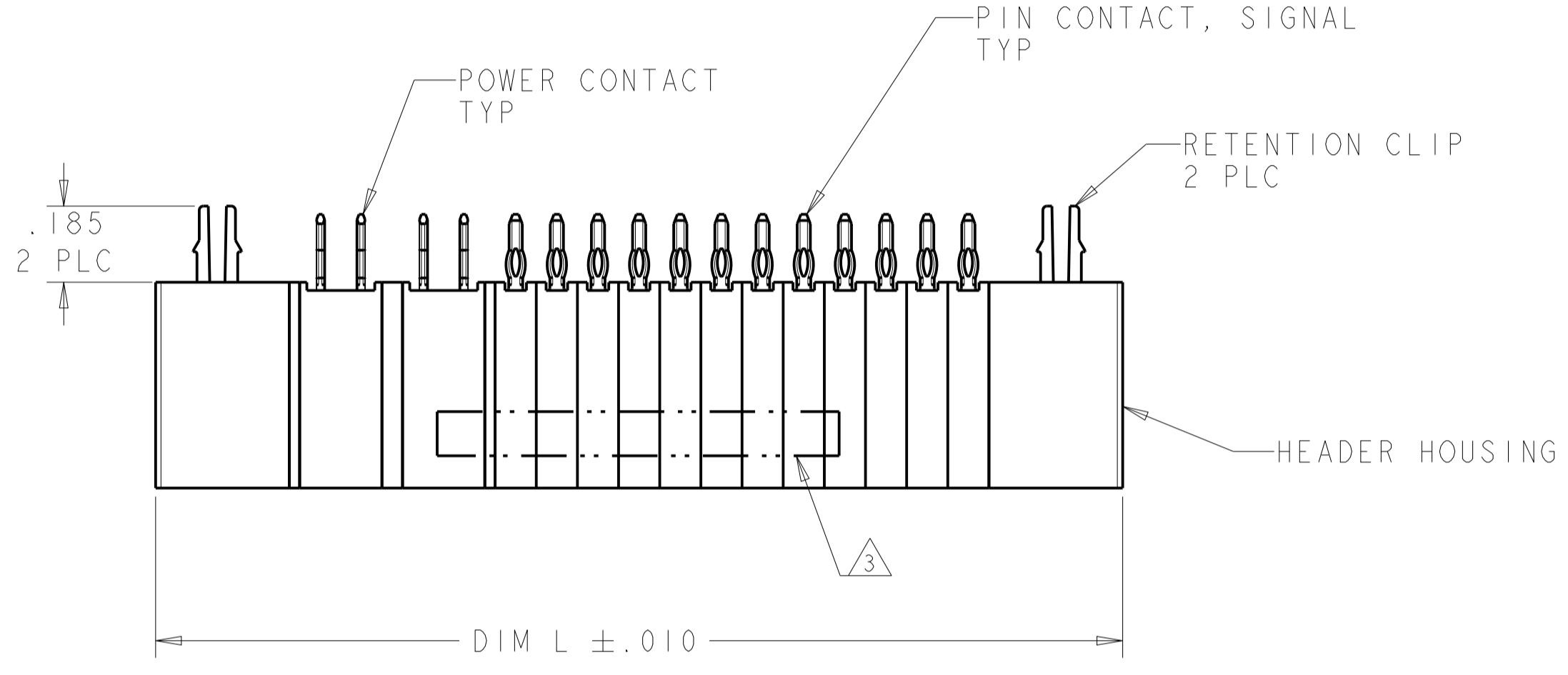
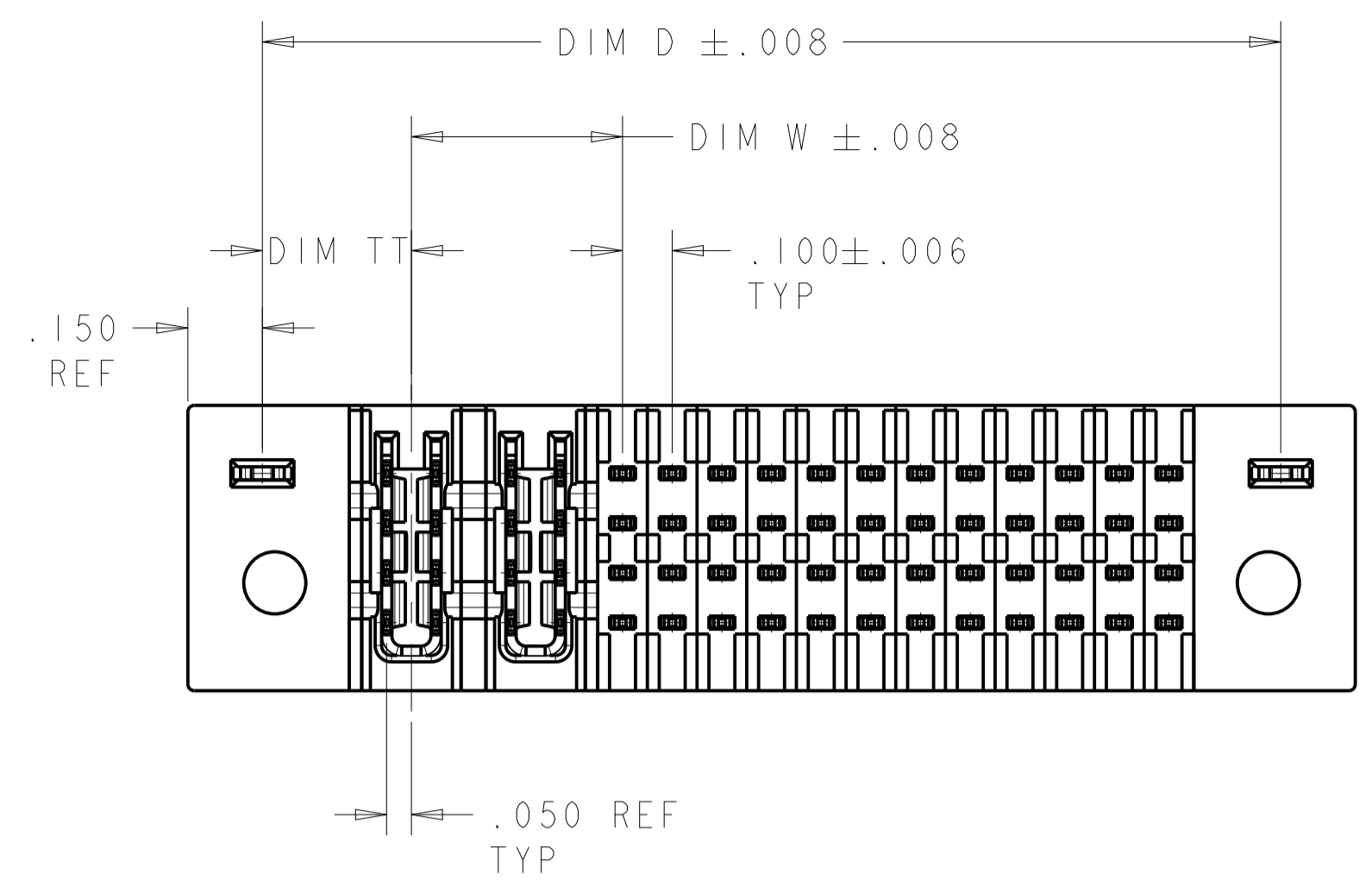
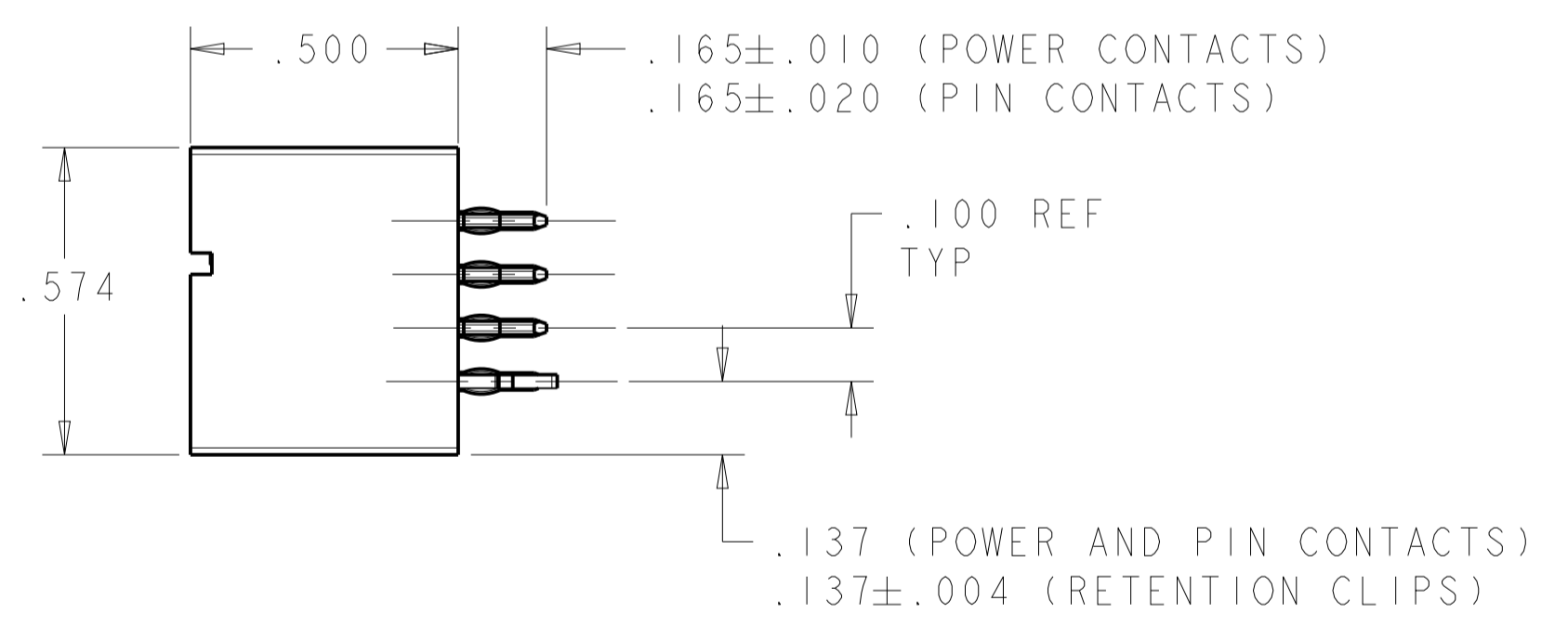


LOC	DIST	REVISIONS			
P	LTN	DESCRIPTION	DATE	DWN	APVD
A		RELEASED	22MAY2006	DRR	MP
A1		ADD DASH NUMBER -9	13SEP2011	LW	SZ



SECTION H-H



- 1. HEADER HOUSING: THERMO PLASTIC, BLACK, UL94 V-0; CONTACTS: COPPER ALLOY.
- 2. CONTACT PLATING: NOBLE METAL PLATING ON CONTACT FUNCTIONAL AREA OF POWER AND SIGNAL CONTACTS
RETENTION CLIP: .000115 MIN TIN.
- 3. "AMP", PART NUMBER AND DATE CODE MARKED IN THIS AREA. PARTS UNDER 2.50 LONG MAY BE MARKED ON BOTH SIDES.
- 4. DATUM AND BASIC DIMENSIONS ESTABLISHED BY CUSTOMER.
- 5. PCB - ALL HOLE DIAMETERS ARE FINISHED HOLE SIZES.
- 6. A SEATING TOOL IS REQUIRED TO SEAT THE HEADER ON THE P.C. BOARD. PLEASE REFER TO THE 114-13038 APPLICATION SPEC.
- 7. MECHANICAL CONNECTOR KEEP OUT ZONE.

DIM "TT"	DIM "W"	DIM "U"	DIM "S"	DIM "L"	DIM "K"	DIM "G"	DIM "D"	RETENTION CLIP	DESCRIPTION	PART NUMBER
.225	.375	1.050	.200	1.400	.275	.450	-	NO	2P + 12S	6450502-9
.300	.475	1.400	.250	1.750	.275	.450	1.450	YES	2P + 20S	6450502-8
.300	.225	1.050	-	1.400	.275	.450	1.100	YES	1P + 16S	6450502-6
-	.425	2.000	.250	2.350	.275	.450	-	NO	2P + 48S	6450502-5
-	.425	1.400	.250	1.750	.275	.450	-	NO	2P + 24S	6450502-4

THIS DRAWING IS A CONTROLLED DOCUMENT.

DIMENSIONS: INCH

TOLERANCES UNLESS OTHERWISE SPECIFIED:

0 PLC	±
1 PLC	±
2 PLC	±
3 PLC	±0.005
4 PLC	±

ANGLES: ±

MATERIAL:

FINISH:

THIS DRAWING IS A CONTROLLED DOCUMENT. DWN: D. RINGLER, 23APR2006. CHK: M. PERCHERRE, 23APR2006. APVD: M. PERCHERRE, 23APR2006.

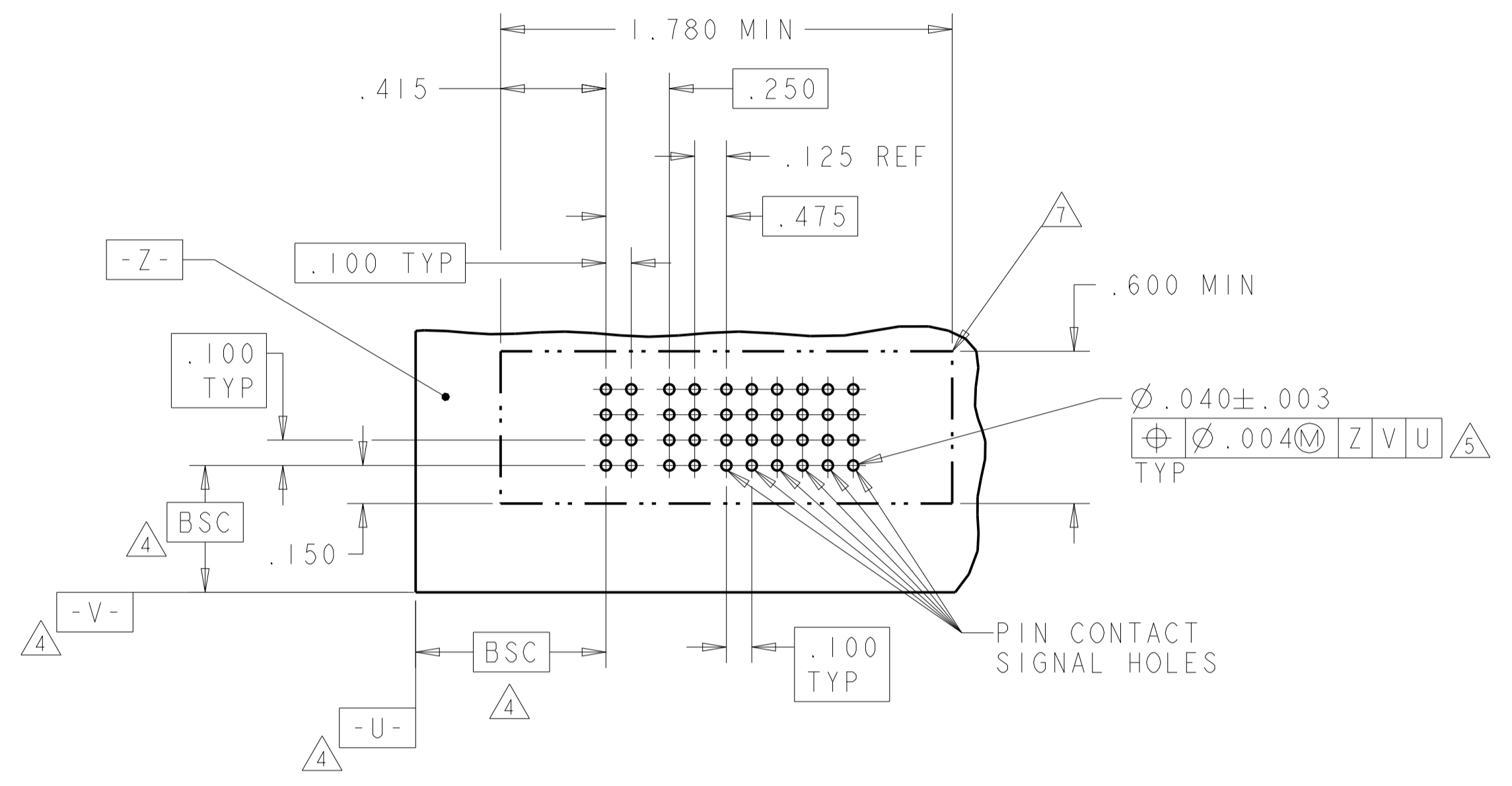
NAME: VERTICAL HEADER ASSEMBLY, W/GUIDES, PRESS FIT, TYPE PS, MULTI-BEAM XL

SIZE: A1 00779 C=6450502

CUSTOMER DRAWING

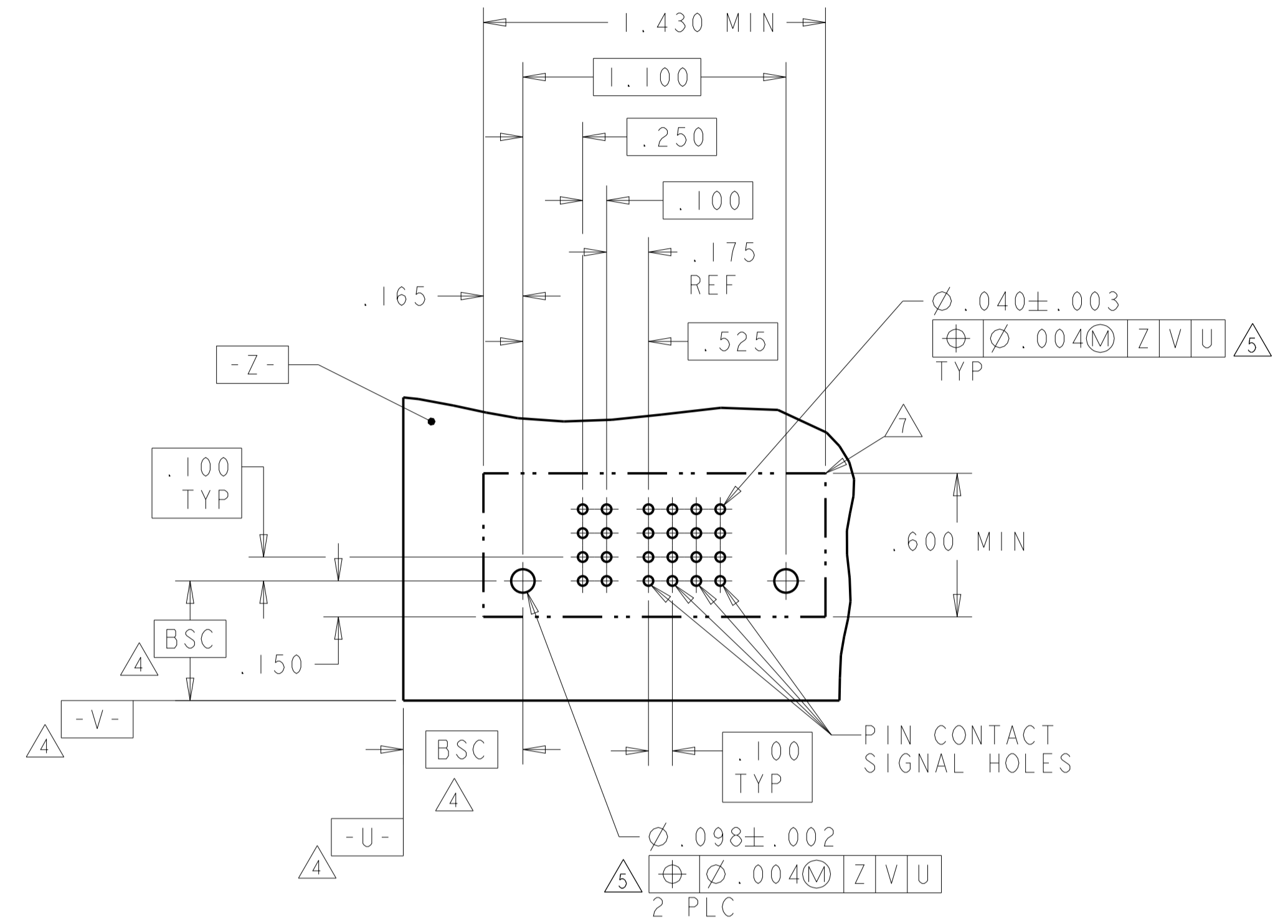
SCALE: 3:1 SHEET 1 OF 3 REV A1

PART NUMBER	ROWS	POWER		SIGNAL						
		PI	P2	1	2	3	4	5	6	
6450502-4	D	VM	VM	EV	EV	EV	EV	EV	EV	
	C			EV	ES	EV	EV	EV	EV	
	B			EV	EV	EV	EV	EV	EV	
	A			EV	EV	EV	EV	EV	EV	
2P+24S										



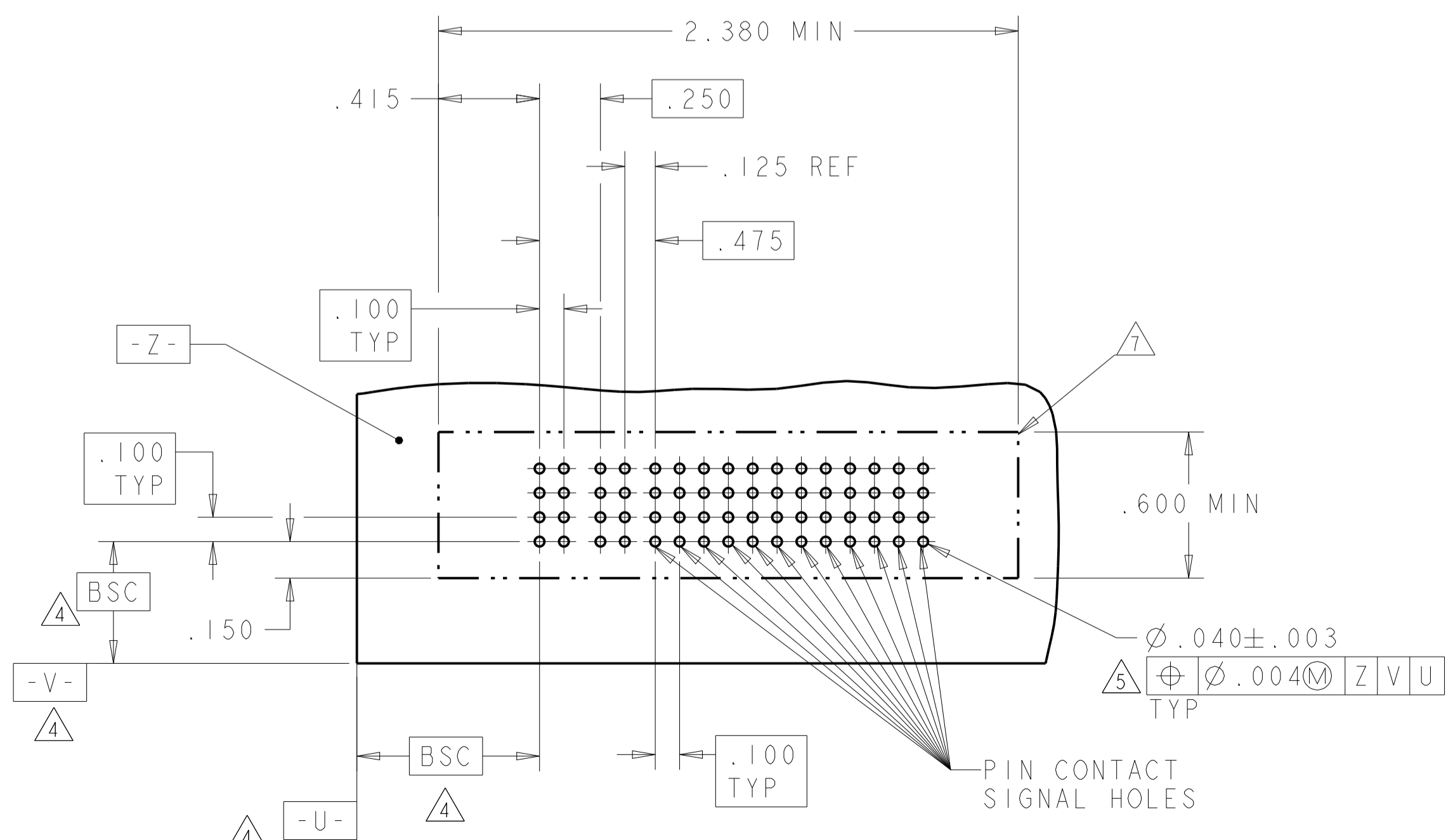
RECOMMENDED PCB LAYOUT 6450502-4
SCALE 2:1

PART NUMBER	ROWS	POWER		SIGNAL			
		PI	P2	1	2	3	4
6450502-6	D	VM	VM	EV	EV	EV	EV
	C			EV	EV	EV	EV
	B			EV	EV	EV	EV
	A			EV	EV	EV	EV
IP+16S		HD		HD			



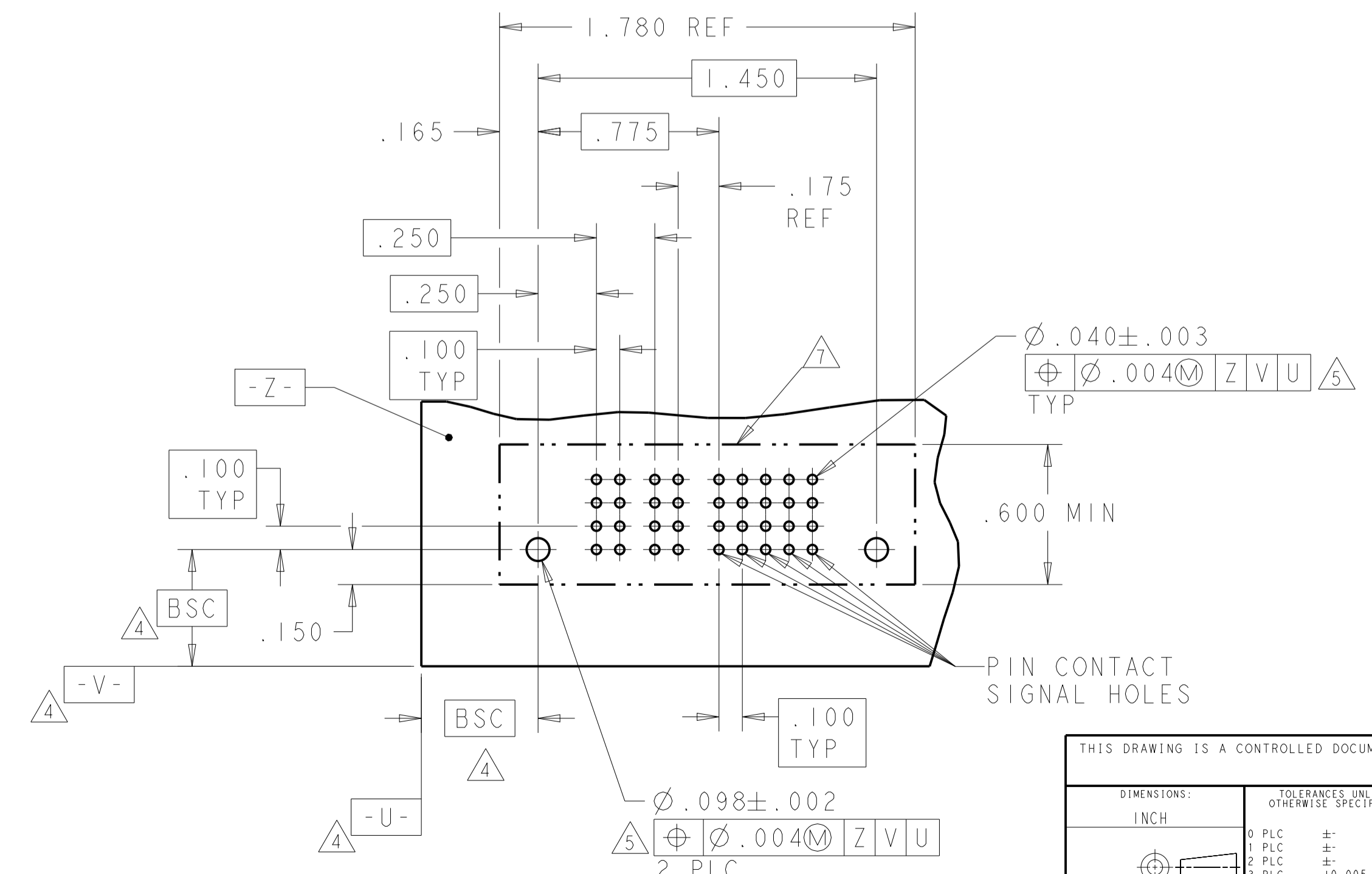
RECOMMENDED PCB LAYOUT 6450502-6
SCALE 2:1

PART NUMBER	ROWS	POWER		SIGNAL											
		PI	P2	1	2	3	4	5	6	7	8	9	10	11	12
6450502-5	D	VM	VM	EV	EV	EV	EV	EV	EV	EV	EV	EV	EV	EV	EV
	C			EV	EV	EV	EV	EV	EV	EV	EV	EV	EV	EV	
	B			EV	EV	EV	EV	EV	EV	EV	EV	EV	EV	EV	
	A			EV	EV	EV	EV	EV	EV	EV	EV	EV	EV	EV	
2P+48S															



RECOMMENDED PCB LAYOUT 6450502-5
SCALE 2:1

PART NUMBER	ROWS	POWER		SIGNAL				
		PI	P2	1	2	3	4	5
6450502-8	D	VM	VM	EV	EV	EV	EV	EV
	C			EV	EV	EV	EV	
	B			EV	EV	EV	EV	
	A			EV	EV	EV	EV	
2P+20S		HD		HD				



RECOMMENDED PCB LAYOUT 6450502-8
SCALE 2:1

LOC	DIST	REVISIONS			
GP	00	REV	DATE	BY	APPV

MATING SEQUENCE	DESCRIPTION	IDENTIFIER
-	RETENTION CLIP	HD
MLBF	SIGNAL CONTACT	ES
STANDARD	SIGNAL CONTACT	EV
-	POWER CONTACT	VM

THIS DRAWING IS A CONTROLLED DOCUMENT.

OWN: D. RINGLER 23APR2006
CHK: M. PERCHERRE 23APR2006
APPV: M. PERCHERRE 23APR2006

TE Connectivity

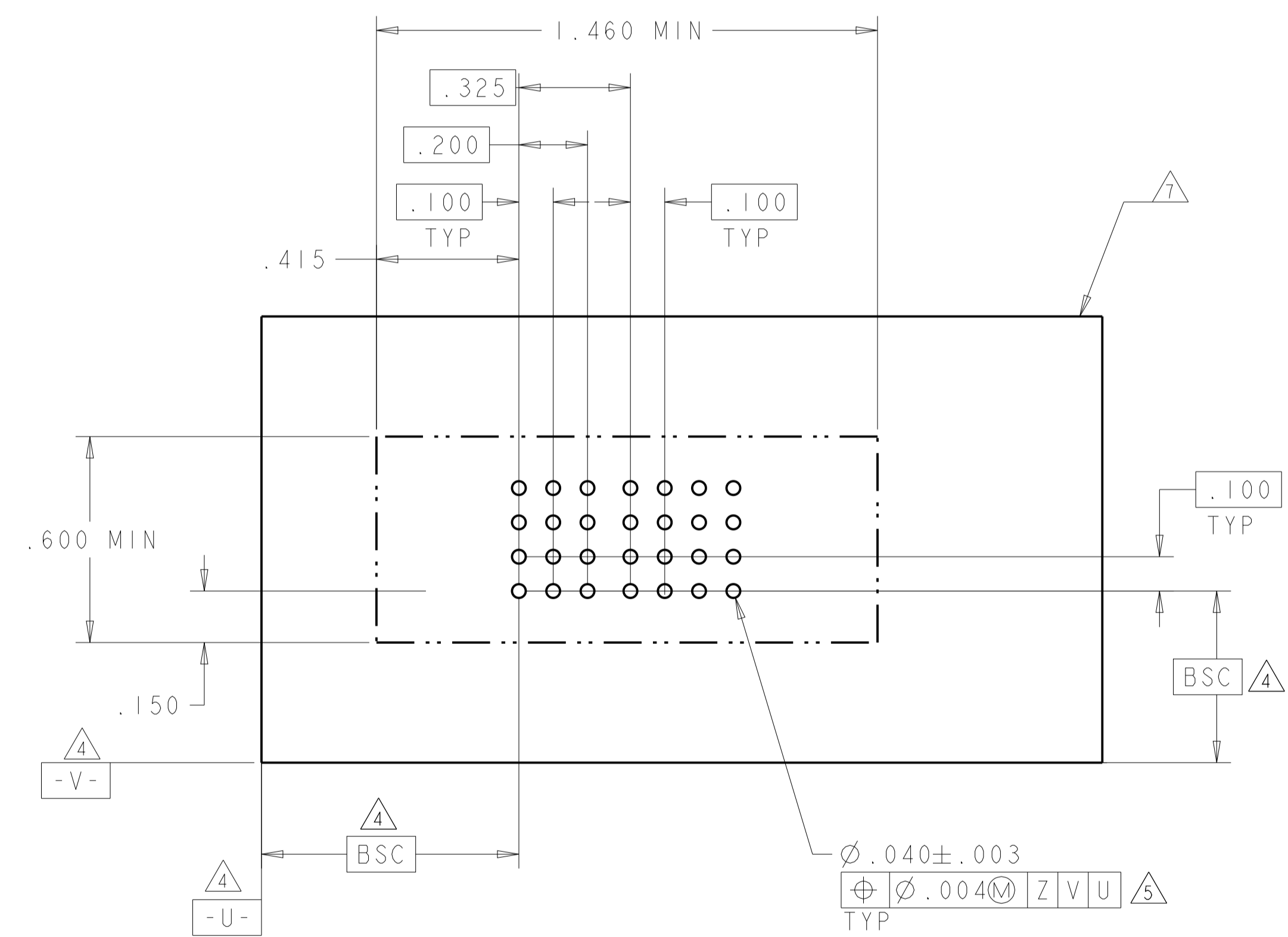
NAME: VERTICAL HEADER ASSEMBLY, W/GUIDES, PRESS FIT, TYPE PS, MULTI-BEAM XL

SIZE: A1 00779 ©=6450502

SCALE: 3:1 SHEET 2 OF 3 REV A1

ASSY PART NUMBER	ROWS	SIGNAL			POWER	
		3	2	1	P2	P1
6450502-9	4	EV	EV	EV	VM	VM
	3	EV	EV	EV		
	2	EV	EV	EV		
	1	EV	EV	EV		
2P + 12S						

(A1)



(A1)

RECOMMENDED PCB LAYOUT 6450502-9

THIS DRAWING IS A CONTROLLED DOCUMENT.		DWN: D. RINGLER 23APR2006 CHK: M. PERCHERRE 23APR2006 APVD: M. PERCHERRE 23APR2006	TE Connectivity
DIMENSIONS: INCH	TOLERANCES UNLESS OTHERWISE SPECIFIED: 0 PLC ± 1 PLC ± 2 PLC ± 3 PLC ±0.005 4 PLC ± ANGLES ±	PRODUCT SPEC: 108-1973 APPLICATION SPEC: 114-13038 WEIGHT: -	
MATERIAL: -	FINISH: -	CUSTOMER DRAWING	RESTRICTED TO: - SCALE: 3:1 SHEET: 3 OF 3 REV: A1

单击下面可查看定价，库存，交付和生命周期等信息

[>>TE Connectivity\(泰科\)](#)