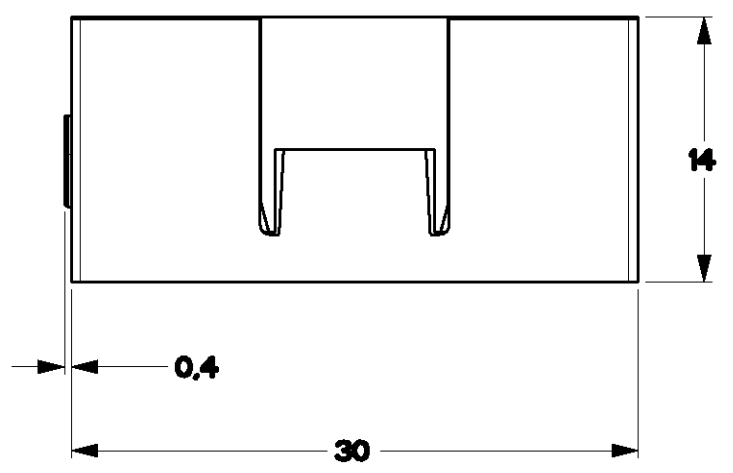
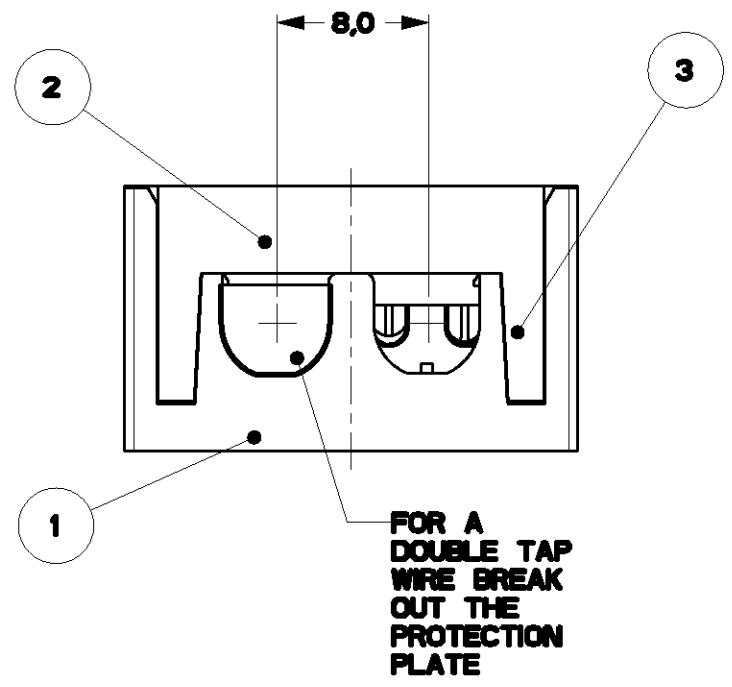
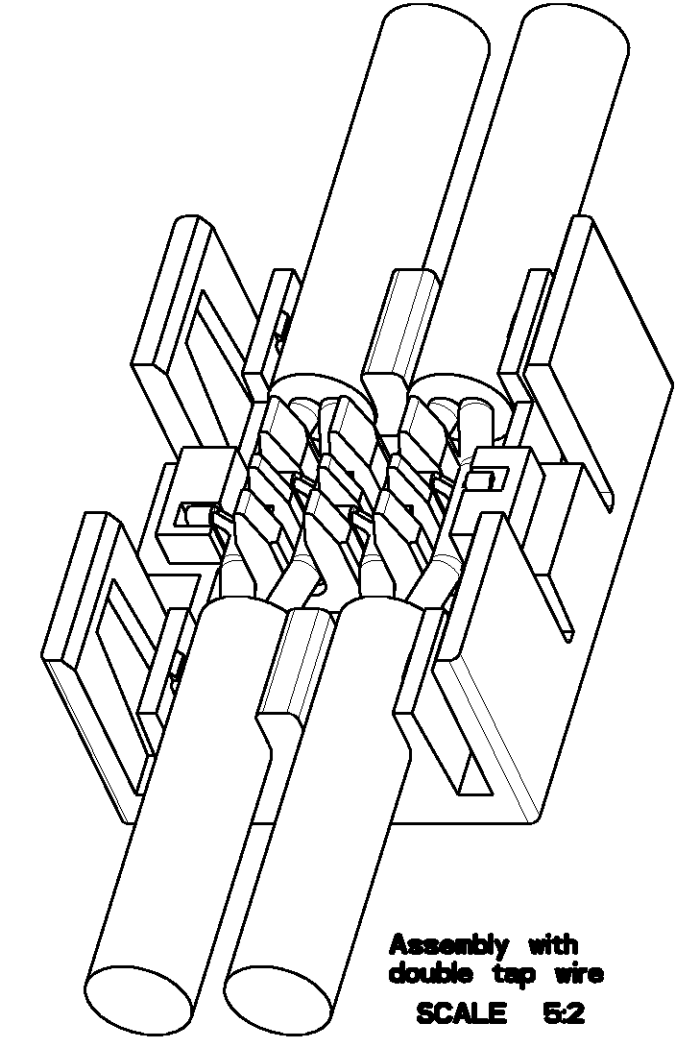
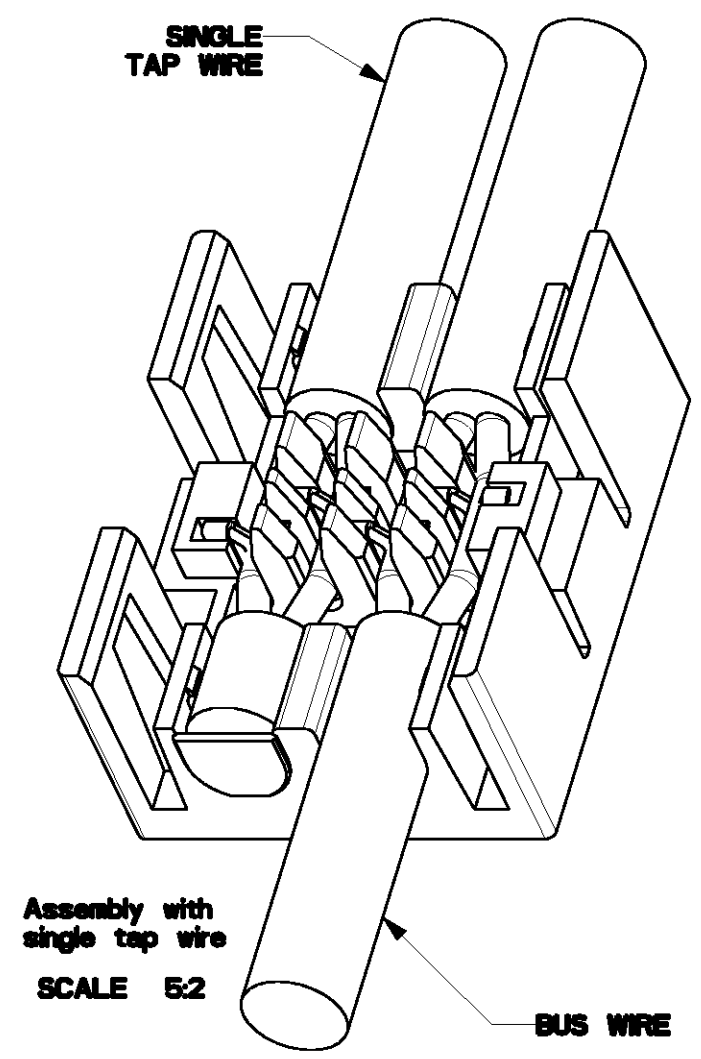
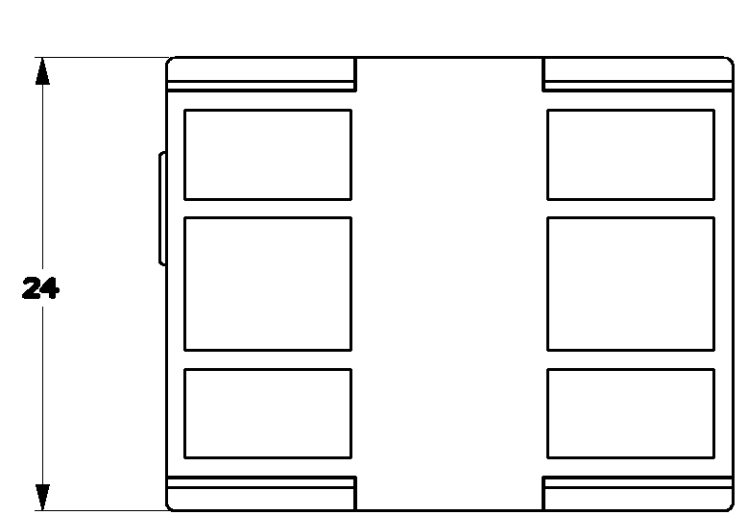


THIS DRAWING IS UNPUBLISHED. RELEASED FOR PUBLICATION
 © COPYRIGHT BY TYCO ELECTRONICS CORPORATION. ALL RIGHTS RESERVED.

LOC	DIST	REVISIONS					
H	-	P	LTR	DESCRIPTION	DATE	DWN	APVD
		A		FIRST ISSUE	11/02/07	DC	TDB



PN 5338235-2 AS SHOWN

ITEM	DESCRIPTION	MATERIAL	FINISH
3	CONTACT	PHOSPHOR BRONZE	TIN
2	COVER HOUSING	POLYCARBONAAT	GRAY
1	BASE HOUSING	POLYCARBONAAT	GRAY

NOTES:
 1 PACKAGING: 50 PIECES (50 COVERS AND 50 HOUSINGS) IN TRAY
 14 TRAYS : 700 PIECES IN BOX

THIS DRAWING IS A CONTROLLED DOCUMENT FOR TYCO ELECTRONICS CORPORATION
 IT IS SUBJECT TO CHANGE AND THE CONTROLLING ENGINEERING ORGANIZATION
 SHOULD BE CONTACTED FOR THE LATEST REVISION.

DIMENSIONS:	TOLERANCES UNLESS OTHERWISE SPECIFIED:
mm	
	0 PLC ±
	1 PLC ±
	2 PLC ±
	3 PLC ±
	4 PLC ±
	ANGLES ±
MATERIAL	FINISH

DWN D.CAMPSCHROER 11 JAN 07	 TYCO ELECTRONICS NEDERLAND B.V. 's-HERTOGENBOSCH, THE NETHERLANDS
CHK D.CAMPSCHROER 11 JAN 07	
APVD T. DE BOER 11 JAN 07	
PRODUCT SPEC	NAME BUS TAP CONNECTOR FOR TWISTED PAIR NETWORK CABLE
APPLICATION SPEC	SIZE A3
WEIGHT	CAGE CODE 00779
CUSTOMER DRAWING	DRAWING NO 5338235
	RESTRICTED TO
	SCALE NTS
	SHEET 1 OF 1
	REV A

单击下面可查看定价，库存，交付和生命周期等信息

[>>TE Connectivity\(泰科\)](#)