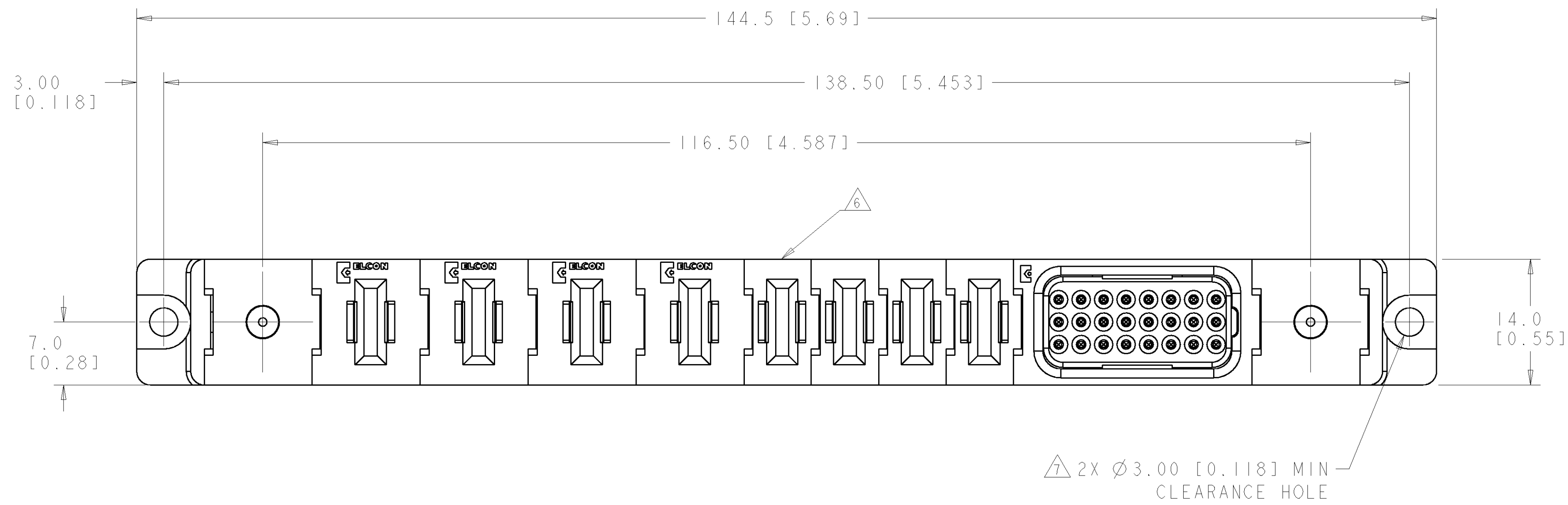
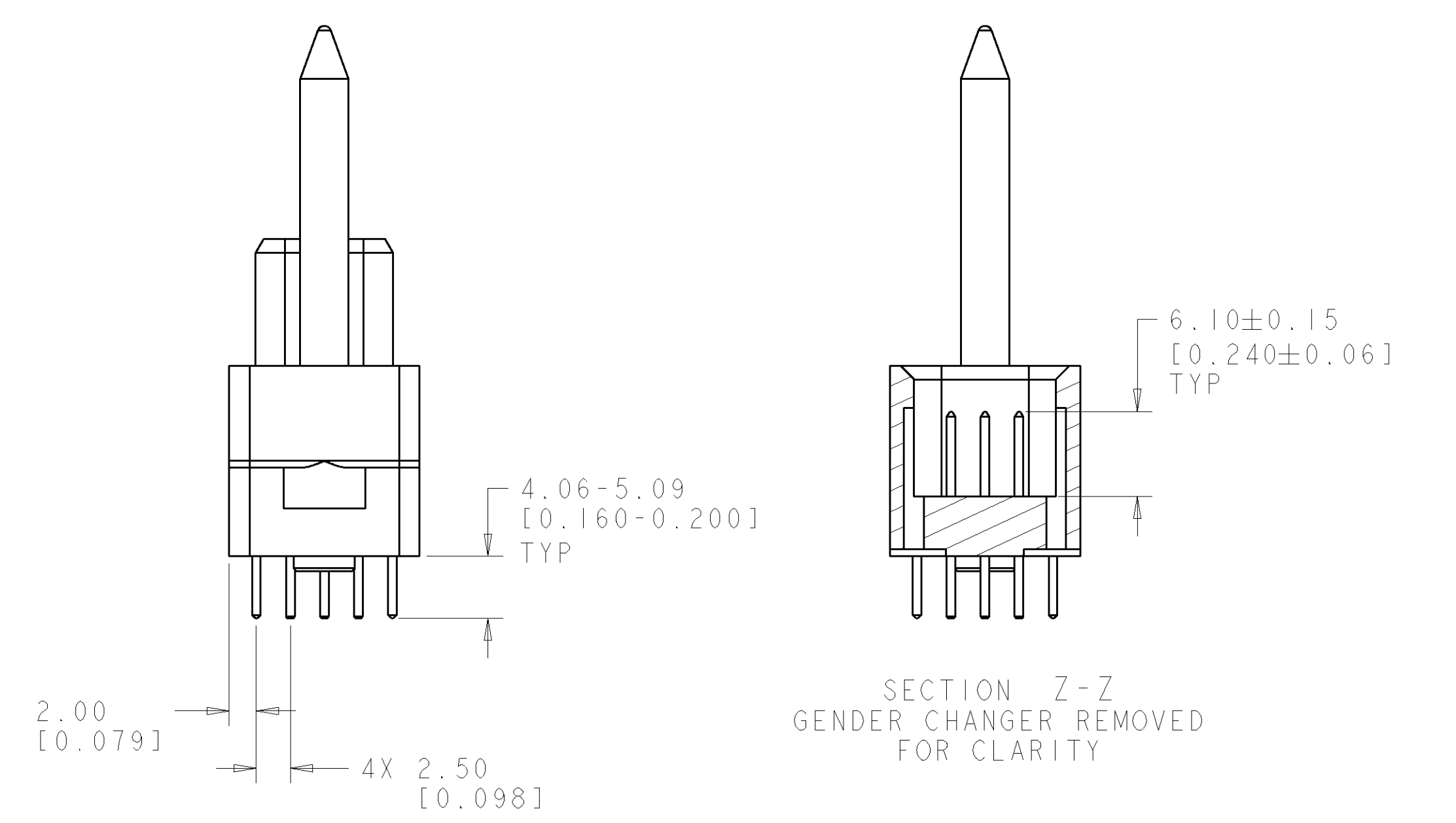
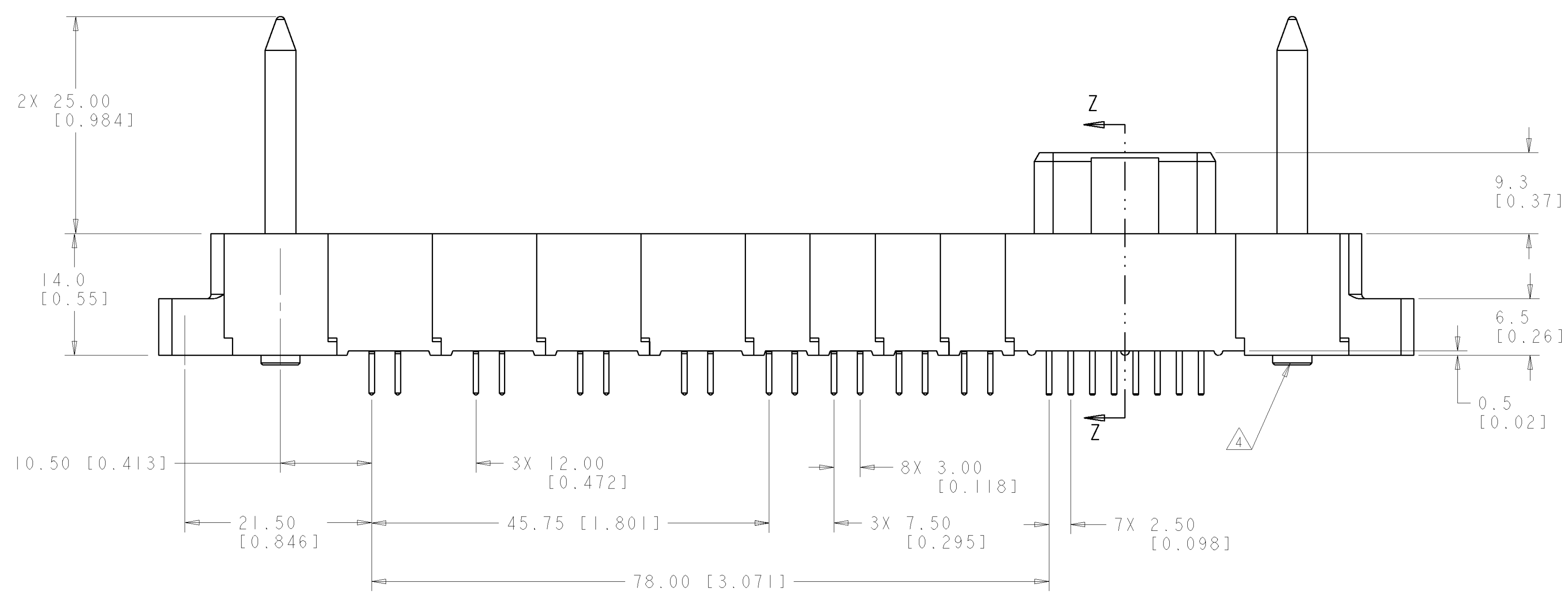


LOC	DIST	REVISIONS			
P	LTR	DESCRIPTION	DATE	DRN	APVD
A		RELEASED	15FEB2007	RG	PD



- PART NUMBER CHANGES AND OR DESIGN CHANGES AFFECTING ITEM INTERCHANGEABILITY REQUIRE PRIOR TYCO APPROVAL AND AUTHORIZATION BY REVISION TO THIS DRAWING.
- MATERIAL:
  - INSULATORS - THERMOPLASTIC, GLASS REINFORCED, COLOR: BLACK UL94V-0 FLAMMABILITY RATED.
  - POWER CONTACTS - PHOSPHOR BRONZE ALLOY, COPPER ALLOY
  - SIGNAL PINS-BRASS ALLOY
  - CROWN BAND-BERYLLIUM COPPER ALLOY
  - GUIDE PIN-COPPER ALLOY
- FINISH:
  - CONTACTS - GOLD PLATE .000030" MIN. THK., OVER NICKEL .000050" MIN. THK
  - TERMINALS- TIN .000120" MIN. THK, OVER NICKEL .000050 MIN THK.
  - GUIDE PIN - SILVER PLATE .000200" MIN THK. OVER NICKEL .00004" MIN THK.

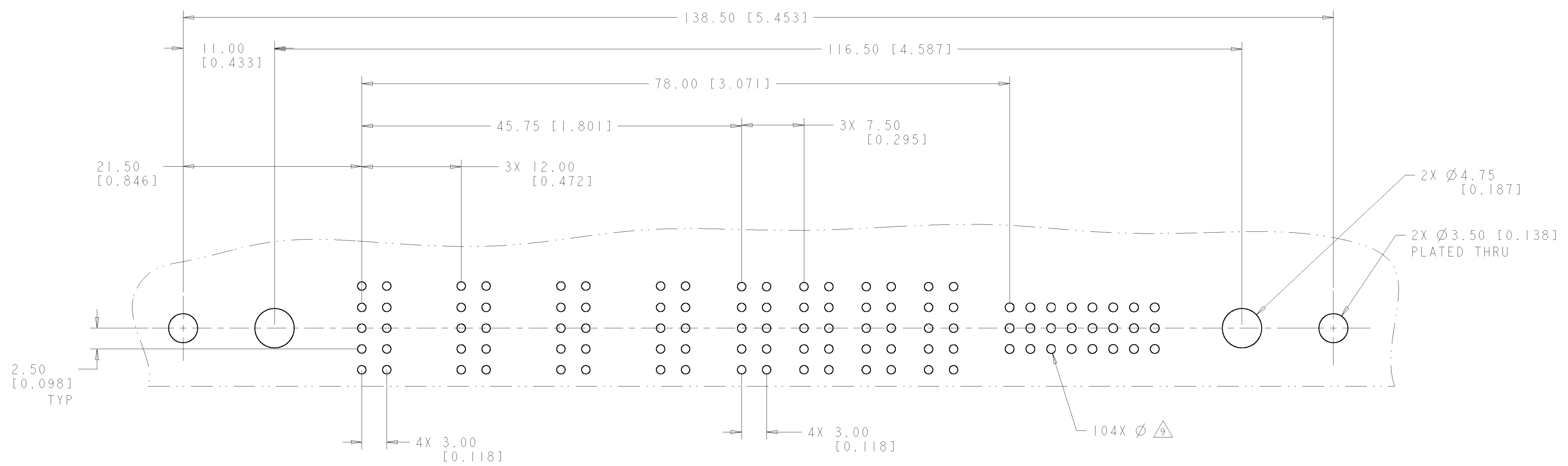
- △ ACTIVE GUIDE PIN ACCEPT M3 SCREWS, (USER SUPPLIED)
  - 5. THIS CONNECTOR MATES WITH SOCKET CONNECTOR PN 1926308-1
  - △ ITEMS PROVIDED TO THIS SPECIFICATION TO BE PERMANENTLY IDENTIFIED PER THE FOLLOWING IDENTIFIER LABEL
- YEAR WEEK
- TYCO PART NO.      DATE CODE (e.g. 0106)
- XXXXXXXX-X      XXXX
- △ MOUNTING FLANGES ACCEPT #6 SCREWS. (USER SUPPLIED)



**ELCON FLATPAQ**

AS SHOWN		1926309-1	
DESCRIPTION		PART NUMBER	
DIMENSIONS: mm [INCHES] TOLERANCES UNLESS OTHERWISE SPECIFIED: 0 PLC ±. 1 PLC ±.5 (.020) 2 PLC ±.25 (.010) 3 PLC ±. 4 PLC ±. ANGLES ±.		DWN: B. GRZYBOWSKI CHK: P. DAMATO APVD: S. FLICKINGER PRODUCT SPEC: APPLICATION SPEC: WEIGHT: MATERIAL: FINISH:	
CUSTOMER DRAWING		Tyco Electronics Harrisburg, PA 17105-3608 NAME: SOCKET CONNECTOR STRAIGHT, SOLDER TAILS FLATPAQ SIZE: A   00779   C=1926309 SCALE: 2:1 SHEET 1 OF 3 REV A	

LOC	DIST	REVISIONS			
P.	LTR	DESCRIPTION	DATE	DRN	APVD
-	-	SEE SHEET 1	-	-	-



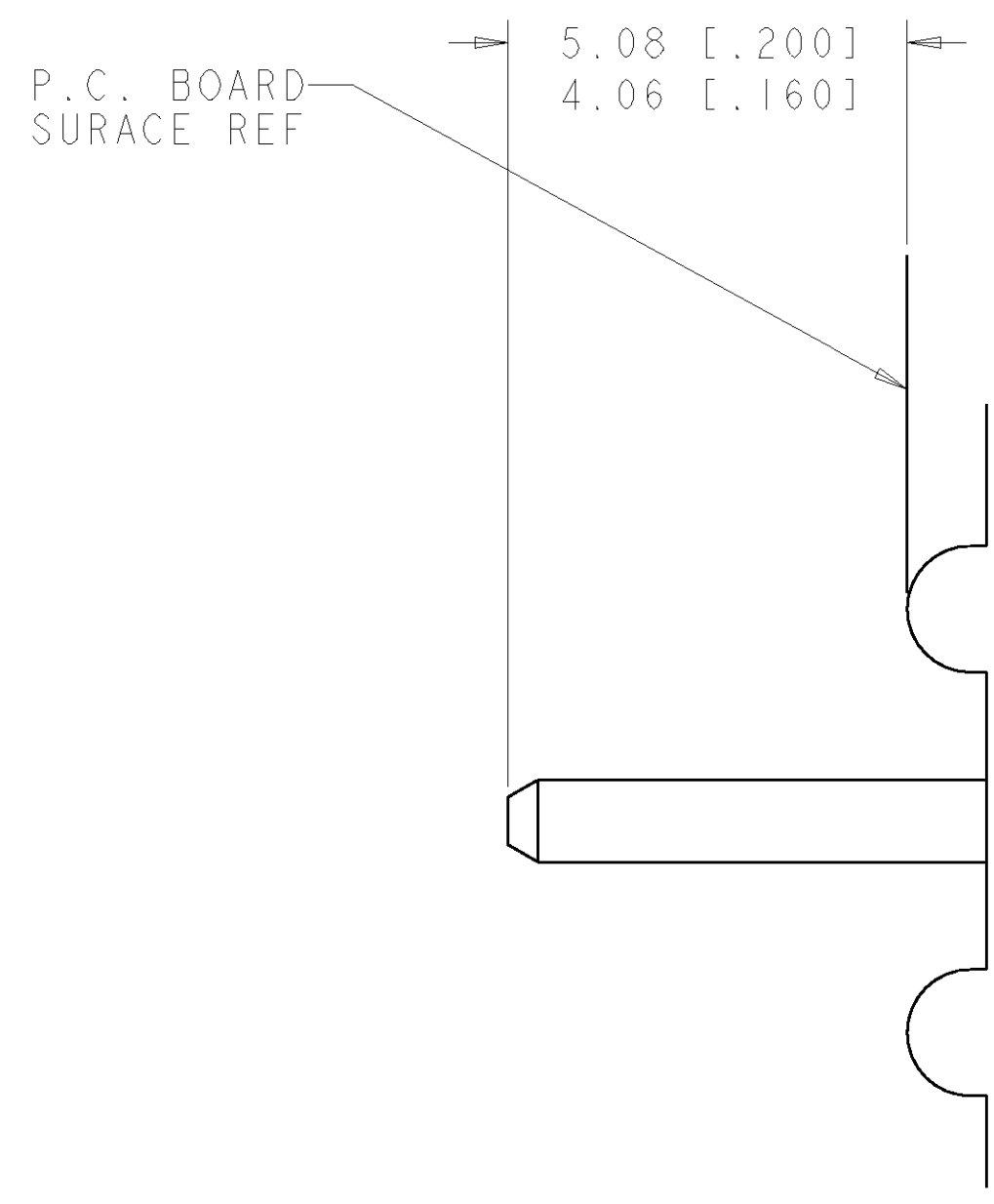
PRINTED CIRCUIT LAYOUT  
 COMPONENT SIDE

CONNECTOR	CATALOG MODULE #	QTY	SIZE NO.	CONTACT QTY	MATING PIN	MAX. CURRENT (PER CONTACT)	CONTACT SPACING	VOLTAGE RATING
SOCKET	FP100	4	8	4	1.25 X 7.00 [.049 X .276]	35 amps	7.50 [0.295]	250 VOLTS
	FP116	4	8	4	1.25 X 7.00 [.049 X .276]	35 amps	12.00 [.4724]	600 VOLTS
	FP301	1	22	24	.64 [.025] SQ.	3 amps	2.50 [.0984]	125 VOLTS
	FP515	2	ACTIVE STRAIGHT GUIDE PIN					
	FP500	1	MOUNTING FLANGE, LEFT					
	FP501	1	MOUNTING FLANGE, RIGHT					

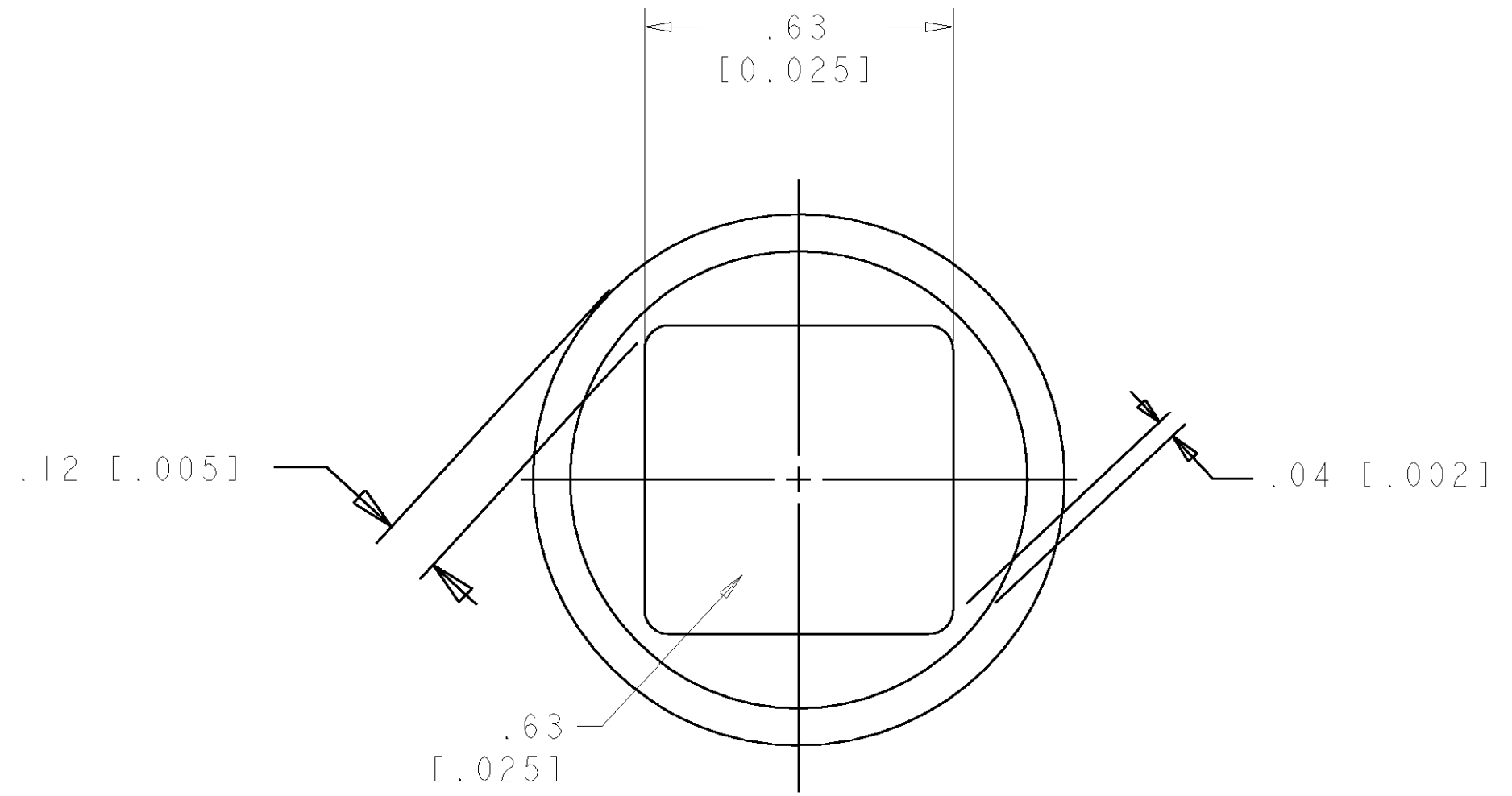
ELCON FLATPAQ

DIMENSIONS: mm [ INCHES ]		TOLERANCES UNLESS OTHERWISE SPECIFIED: 0 PLC ± .5 [ .020 ] 1 PLC ± .5 [ .020 ] 2 PLC ± .25 [ .010 ] 3 PLC ± .25 [ .010 ] 4 PLC ± .25 [ .010 ] ANGLES ± .5		DWN B. GRZYBOWSKI DTDEC06 CHK P. DAMATO DTDEC06 APVD S. FLICKINGER DTDEC06		<b>tyco</b> Tyco Electronics Harrisburg, PA 17105-3608	
MATERIAL - FINISH -		WEIGHT - CUSTOMER DRAWING		NAME SOCKET CONNECTOR STRAIGHT, SOLDER TAILS FLATPAQ		SIZE CAGE CODE DRAWING NO. RESTRICTED TO A 100779 C-1926309 -	
SCALE 2:1 SHEET 2 OF 3 REV A				DATE 11/07/99			

LOC	DIST	REVISIONS					
		P.	LTR	DESCRIPTION	DATE	DWN	APVD
GP	00	-	-	SEE SHEET 1	-	-	-



8. SOLDER PIN DETAIL  
SCALE 10 : 1



9. SOLDER TERMINATION AREA  
 SCALE 40:1  
 RECOMMENDED PRINTED CIRCUIT SOLDER HOLE  
 FINISHED HOLE:  $\varnothing 1.02 [0.040] \pm .08 [0.003]$   
 DRILLED HOLE:  $\varnothing 1.15 [0.0453] \pm .013 [0.0005]$   
 COPPER PLATE: .025 [0.0010] MIN  
 TIN PLATE: .008 [0.0003] MIN. (PER SURFACE)

DIM "A"

<small>THIS DRAWING IS UNPUBLISHED. RELEASED FOR PUBLICATION BY TICO ELECTRONICS CORPORATION. ALL RIGHTS RESERVED.</small>		DWN: B. GRZYBOWSKI 01DEC06 ENR: P. DAMATO 01DEC06 APVD: S. FLICKINGER 01DEC06	<b>tyco</b> Electronics Tyco Electronics Harrisburg, PA 17105-3608
DIMENSIONS: mm [INCHES]	TOLERANCES UNLESS OTHERWISE SPECIFIED: 0 PLC ± 1 PLC ±.5 [0.020] 2 PLC ±.25 [0.010] 3 PLC ± 4 PLC ± ANGLES ± 5	NAME: SOCKET CONNECTOR STRAIGHT, SOLDER TAILS FLATPAQ PRODUCT SPEC: - APPLICATION SPEC: - WEIGHT: - FINISH: -	SIZE: A   00779   C=1926309 SCALE: 2:1 SHEET 3 OF 3 REV A
MATERIAL: - FINISH: -		CUSTOMER DRAWING	RESTRICTED TO: -

单击下面可查看定价，库存，交付和生命周期等信息

[>>TE Connectivity\(泰科\)](#)