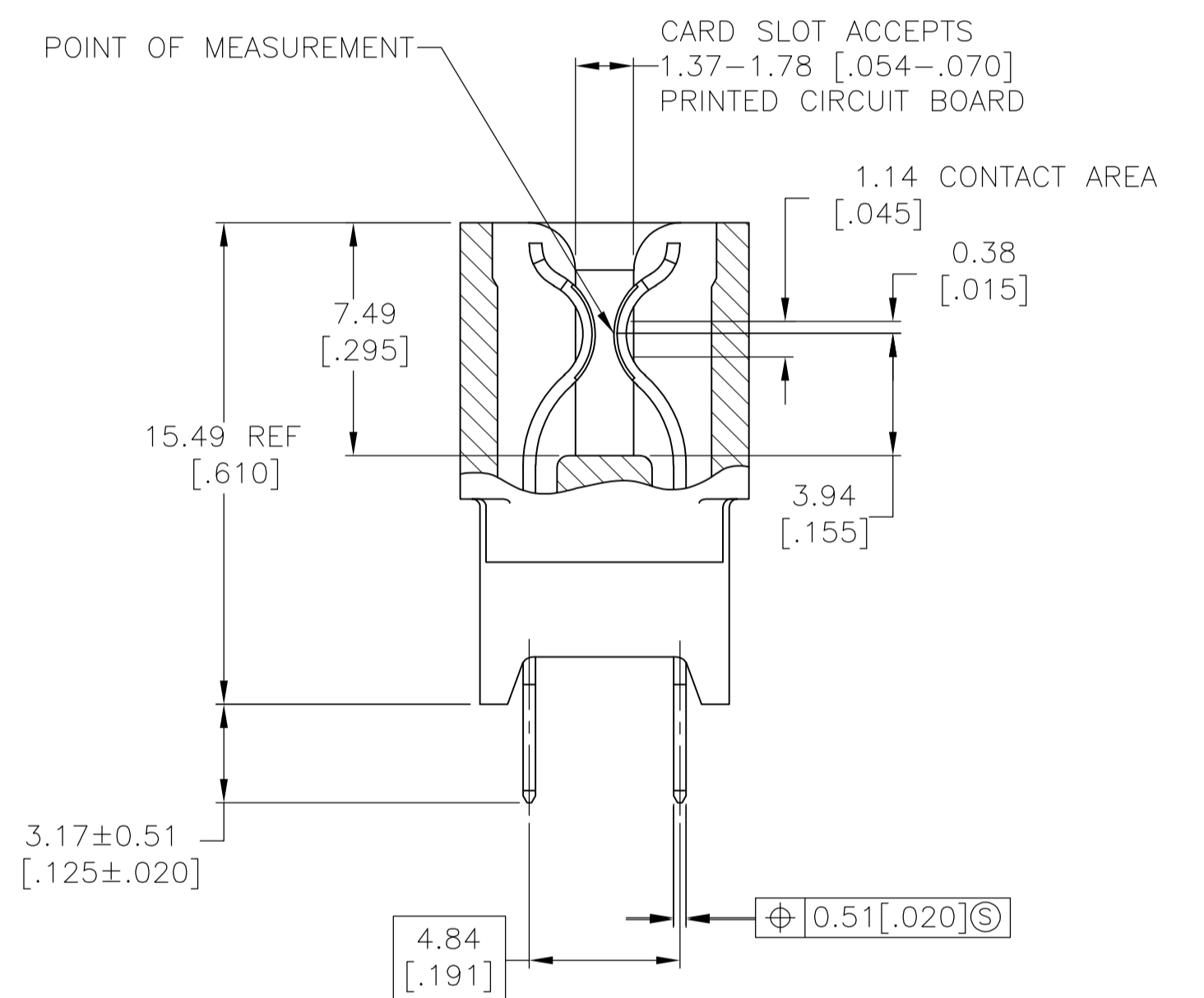
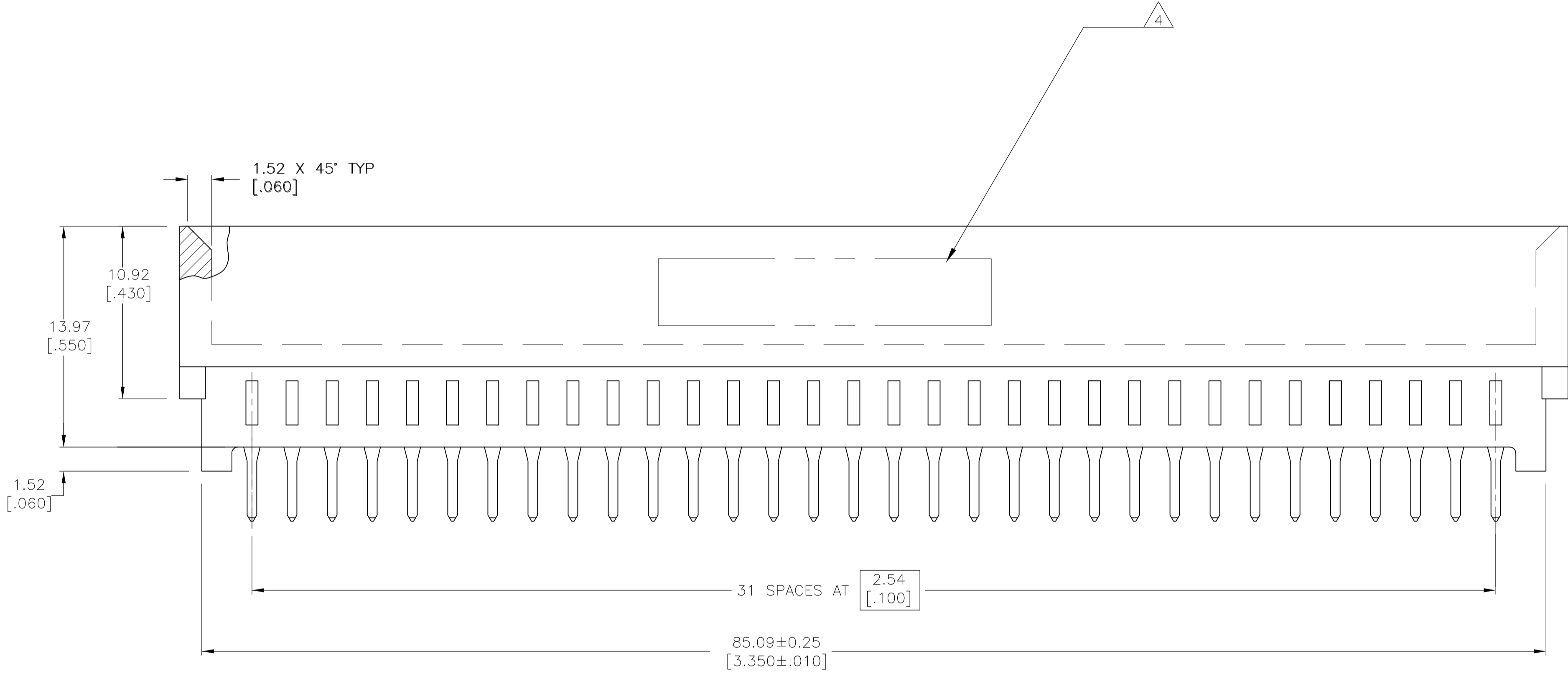


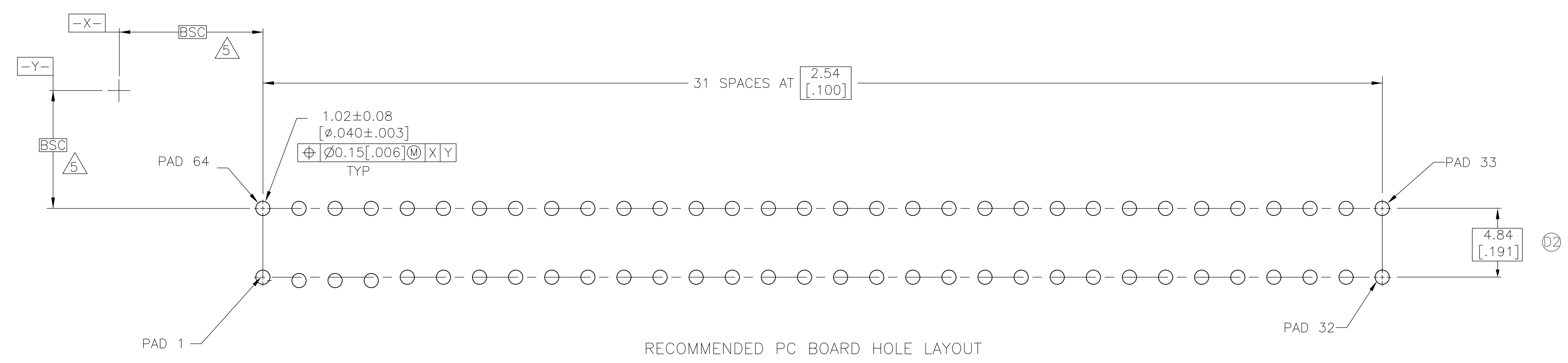
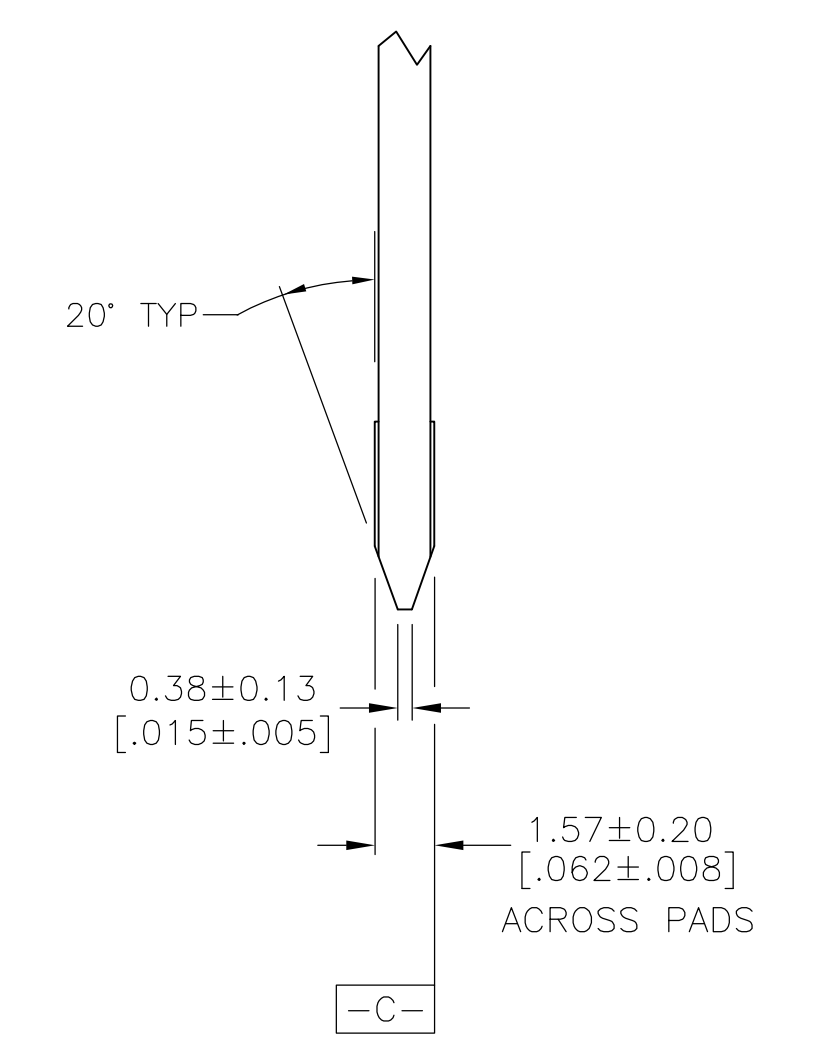
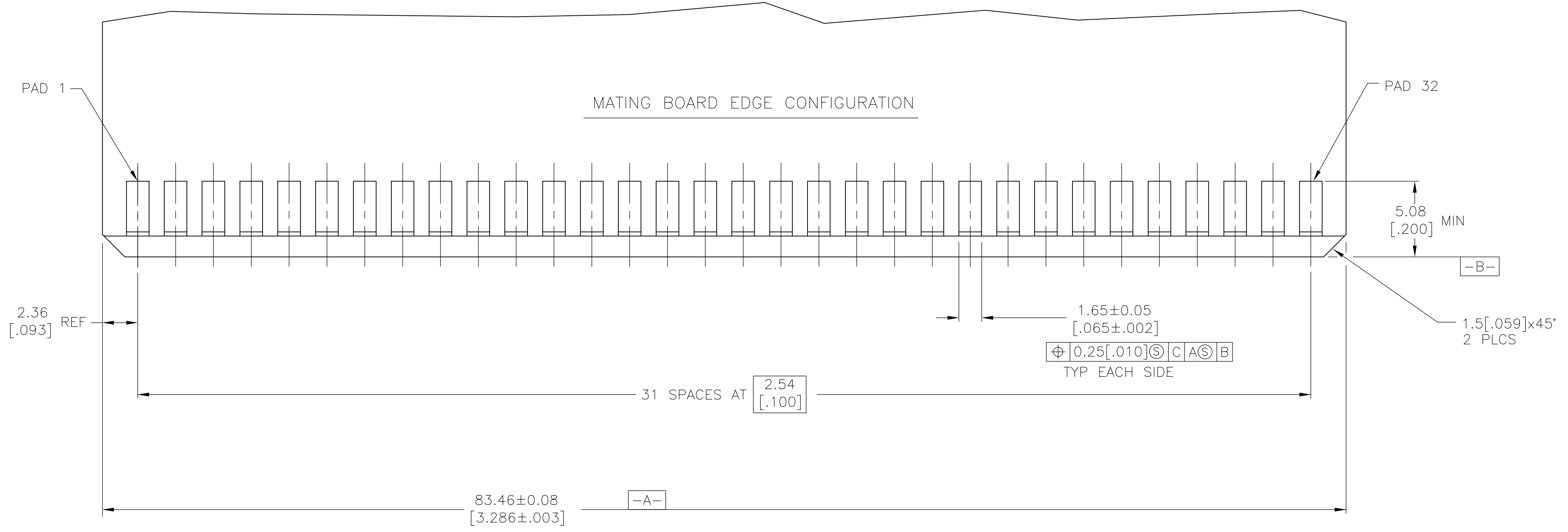
BOARD RETENTION FEATURE



- 1 HOUSING: GLASS FILLED POLYESTER, BLACK.
- 2 CONTACT: HIGH CONDUCTIVITY COPPER ALLOY.
NICKEL PLATE: 0.00127 [.000050] MIN - ALL OVER.
MATTE TIN PLATE: 0.00254 [.000100] MIN - SOLDER POSTS.
GOLD PLATE: 0.00076 [.000030] MIN - CONTACT AREA.
- 3 NICKEL PLATE PER MIL-G-45204.
GOLD PLATE PER QQ-N-290.
- 4 AMP PART NUMBER AND DATE CODE MAY BE MARKED IN APPROXIMATE AREA SHOWN, EITHER SIDE.
- 5 DATUMS PLUS BASIC DIMENSIONS ESTABLISHED BY CUSTOMER.

| | |
|-----------------------|-------------|
| 2,3,30,31,34,35,62,63 | 1761469-1 |
| RETENTION LOCATION | PART NUMBER |

| | | | |
|--|------------|----------------------------|--|
| THIS DRAWING IS A CONTROLLED DOCUMENT. | | DIN R. GRZYBOWSKI 21SEPT04 | TE Connectivity |
| DIMENSIONS: mm [INCHES] | | CHK A. FRANTUM 21SEPT04 | |
| TOLERANCES UNLESS OTHERWISE SPECIFIED: | | APVD A. FRANTUM 21SEPT04 | NAME |
| 0. PLC ± - | 1. PLC ± - | PRODUCT SPEC | CONNECTOR ASSEMBLY, STANDARD EDGE II, HIGH CURRENT |
| 2. PLC ± .13[.005] | 3. PLC ± - | APPLICATION SPEC | DUAL POSITION, 2.54 [.100] CENTERLINE |
| 4. PLC ± - | ANGLES ± ° | SIZE | 114-13018 |
| MATERIAL | FINISH | WEIGHT | 100779 C=1761469 |
| 1 2 | 2 | CUSTOMER DRAWING | SCALE 5:1 SHEET 1 OF 2 REV D2 |



| | | | |
|--|---------------------|-----------------------------|---------------|
| THIS DRAWING IS A CONTROLLED DOCUMENT. | | DRN: R. GRZYBOWSKI 21SEP104 | |
| DIMENSIONS: mm [INCHES] | | CHK: A. FRANTUM 21SEP104 | |
| TOLERANCES UNLESS OTHERWISE SPECIFIED: | | APPD: A. FRANTUM 21SEP104 | NAME: FRANTUM |
| 0. PLC ± - | 1. PLC ± - | PRODUCT SPEC | 108-2148 |
| 2. PLC ± .13[.005] | 3. PLC ± - | APPLICATION SPEC | 114-13018 |
| 4. PLC ± - | ANGLES ± 2° | FINISH | SEE SHEET 1 |
| MATERIAL: SEE SHEET 1 | FINISH: SEE SHEET 1 | WEIGHT: - | SIZE: A1 |
| CUSTOMER DRAWING | | SCALE: 5:1 | SHEET 2 OF 2 |

单击下面可查看定价，库存，交付和生命周期等信息

[>>TE Connectivity\(泰科\)](#)