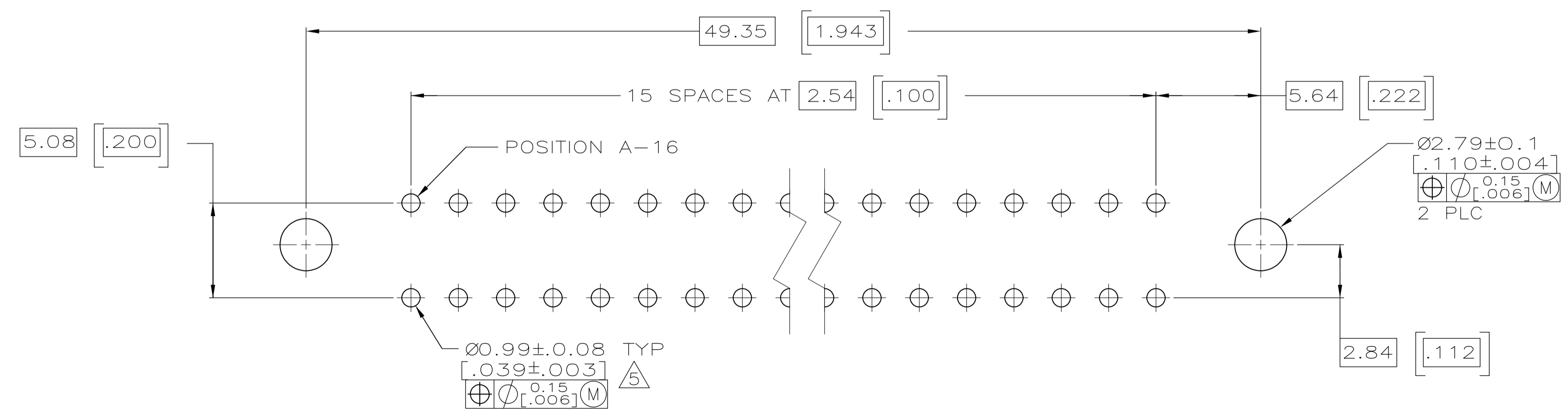
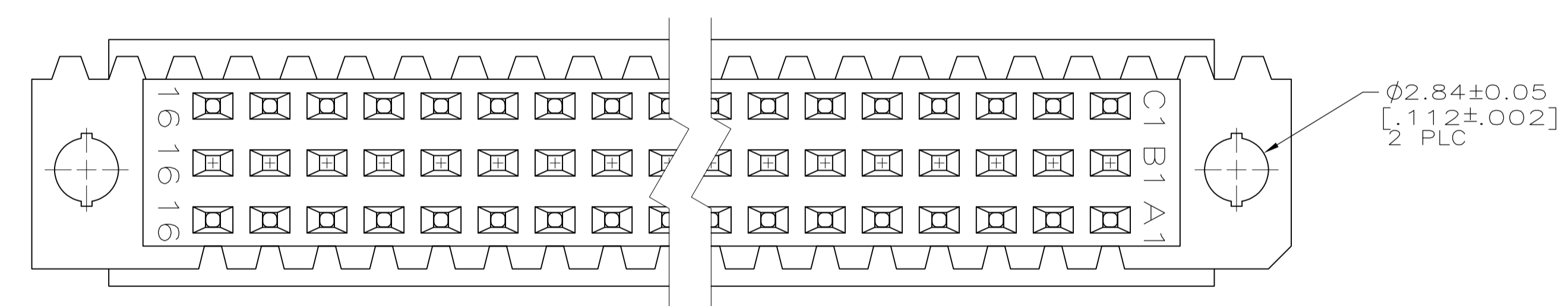
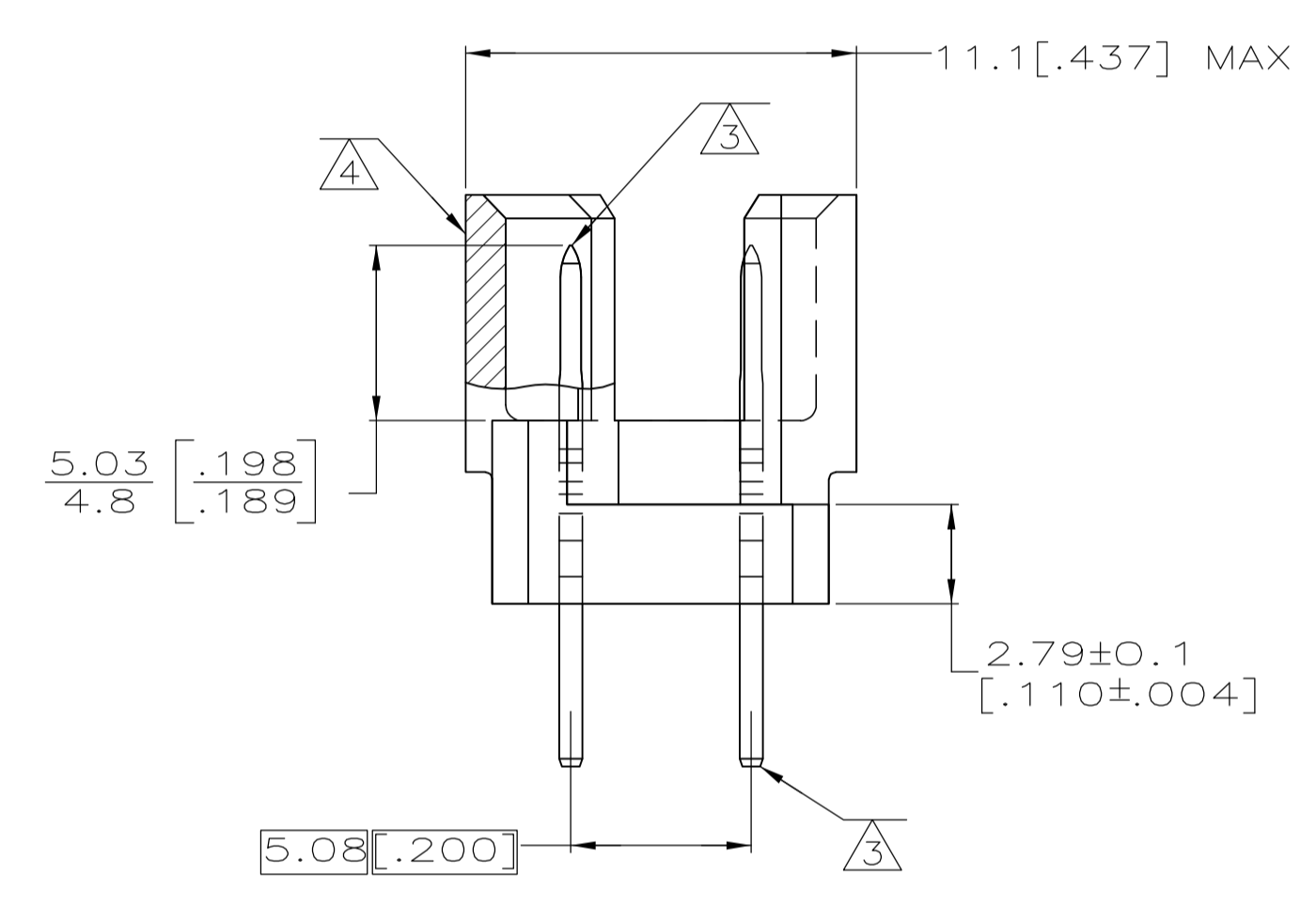
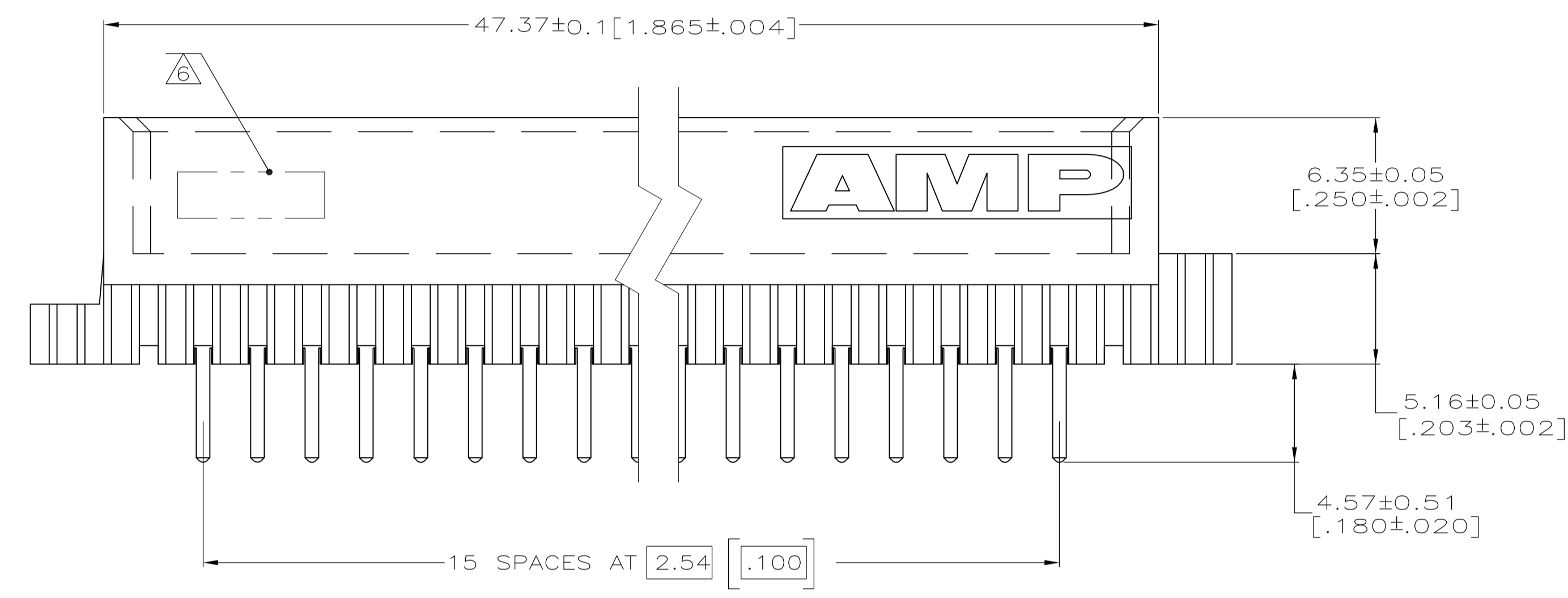
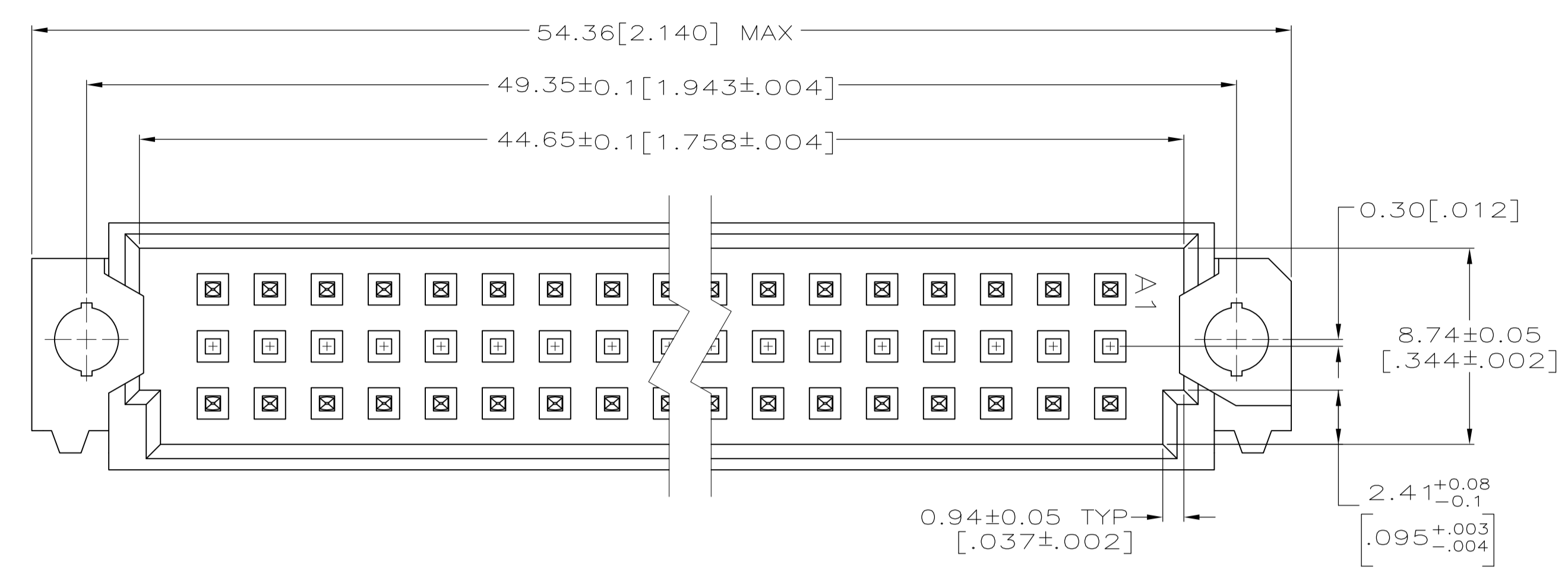


- 1 HOUSING MATERIAL: GLASS-FILLED POLYMER.
- 2 POST MATERIAL: COPPER ALLOY.
- 3 POST FINISH: DIN 41612 CLASS 2 IN CONTACT AREA. TIN PLATE ON POSTS.
- 4 MARKING ON THIS SIDE.
- 5 RECOMMENDED HOLE SIZE FOR MANUAL APPLICATION OF CONNECTOR ONTO PC BOARD.
- 6 PART NUMBER, DATE CODE MARKED THIS APPROXIMATE AREA.



| | | | | | |
|------------------|---|---|---|------------------------|------------------|
| 1-16 | X | - | X | 32 | 5650936-5 |
| POSITIONS LOADED | C | B | A | NO. OF LOADED POSITION | ASSY PART NUMBER |
| | | | | | |

| | | | | | |
|--|--|------------------|--|-------------------------------------|--|
| THIS DRAWING IS A CONTROLLED DOCUMENT. | | DIN J. POLIGNONE | | Tyco Electronics Corporation | |
| DIMENSIONS: mm [INCHES] | | OSMAYOS | | Harrisburg, PA 17105-3608 | |
| TOLERANCES UNLESS OTHERWISE SPECIFIED: | | OSMAYOS | | NAME | |
| 0 PLC ± - | | OSMAYOS | | ASSEMBLY, PIN, EUROCARD, TYPE 1/2R, | |
| 1 PLC ± - | | OSMAYOS | | A and C, 32/48 POSITION, | |
| 2 PLC ± 0.13[.005] | | OSMAYOS | | 4.57[.180] SOLDER POST | |
| 3 PLC ± - | | OSMAYOS | | APPLICATION SPEC | |
| 4 PLC ± - | | OSMAYOS | | SIZE | |
| ANGLES ± - | | OSMAYOS | | CAGE CODE | |
| MATERIAL | | FINISH | | DRAWING NO | |
| 1 2 | | 3 | | A1 00779 | |
| CUSTOMER DRAWING | | SCALE | | SHEET | |
| | | 5:1 | | 1 OF 1 | |
| | | | | REV 01 | |

单击下面可查看定价，库存，交付和生命周期等信息

[>>TE Connectivity\(泰科\)](#)