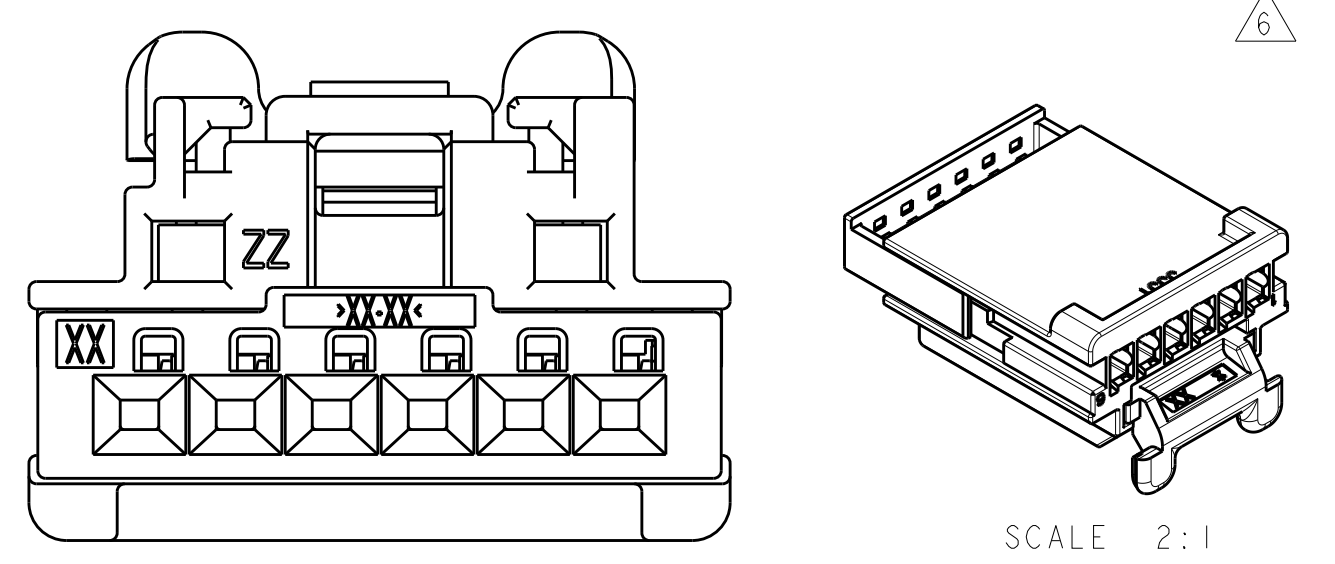


| REVISIONS |     |                           |           |          |
|-----------|-----|---------------------------|-----------|----------|
| P.        | LTN | DESCRIPTION               | DATE      | OWN APVD |
| B1        |     | REVISED PER ECO-15-011565 | 21AUG2015 | DLD DCM  |
| B2        |     | REVISED PER ECO-17-009179 | 23JUN2017 | DLD DCM  |
| B3        |     | REVISED PER ECO-18-009918 | 26JUN2018 | JMS CM   |
| B4        |     | REVISED PER ECO-18-013902 | 31AUG2018 | JMS CM   |

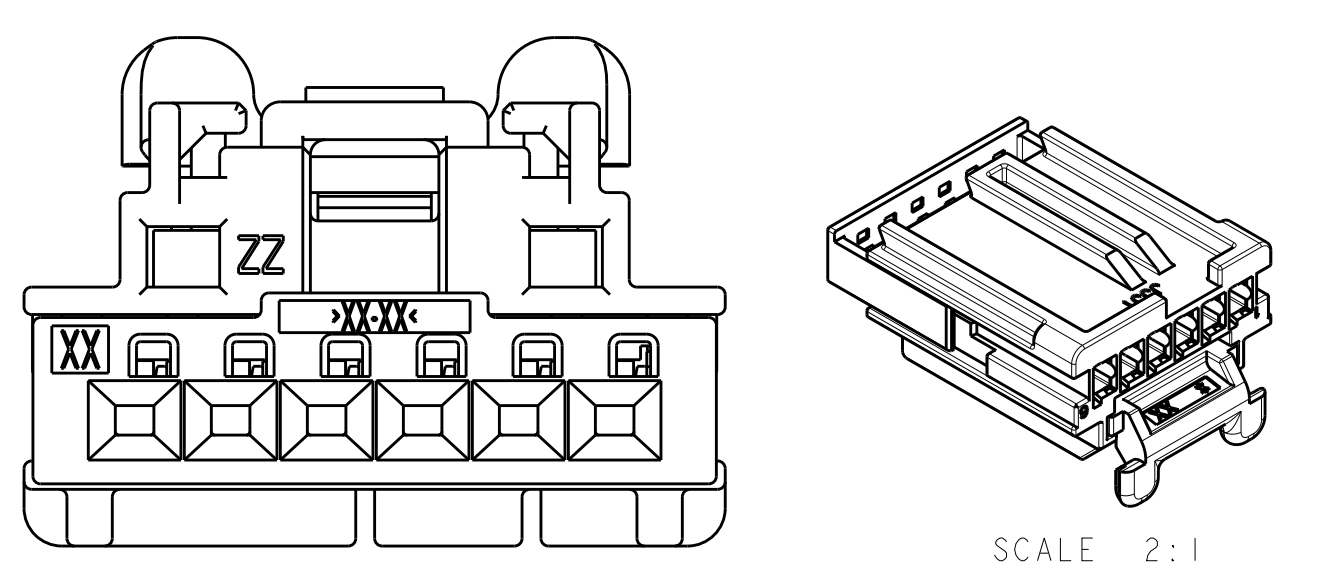
KEYING OPTIONS (SHOWN WITH CPA)

KEYING OPTION: B



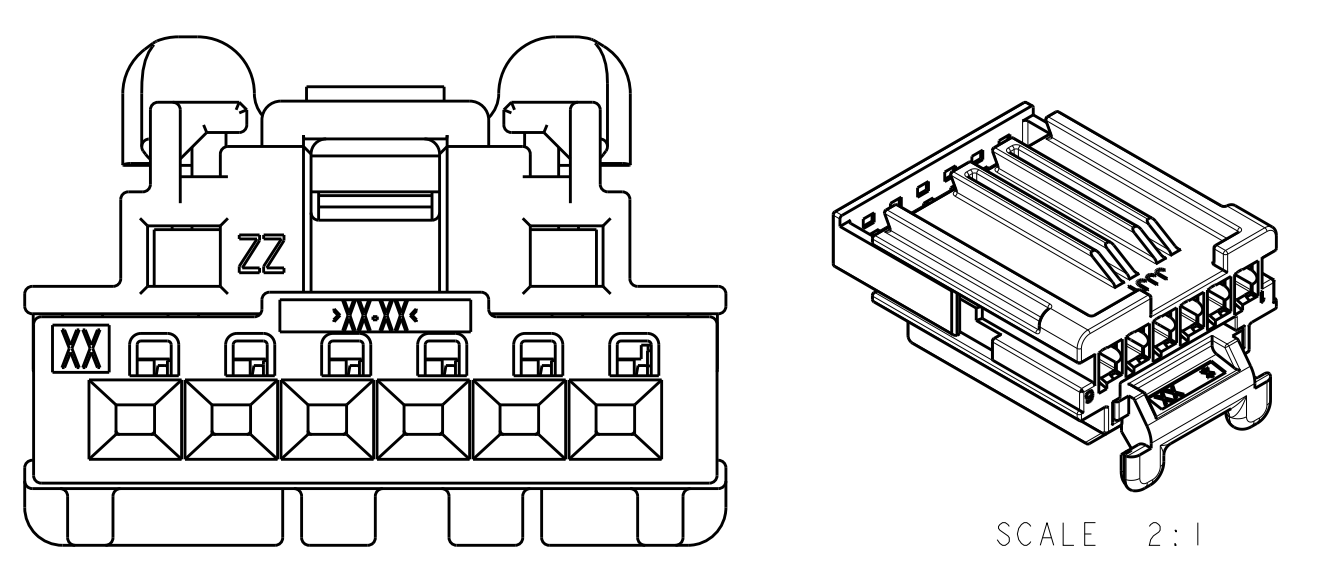
SCALE 2:1

KEYING OPTION: C



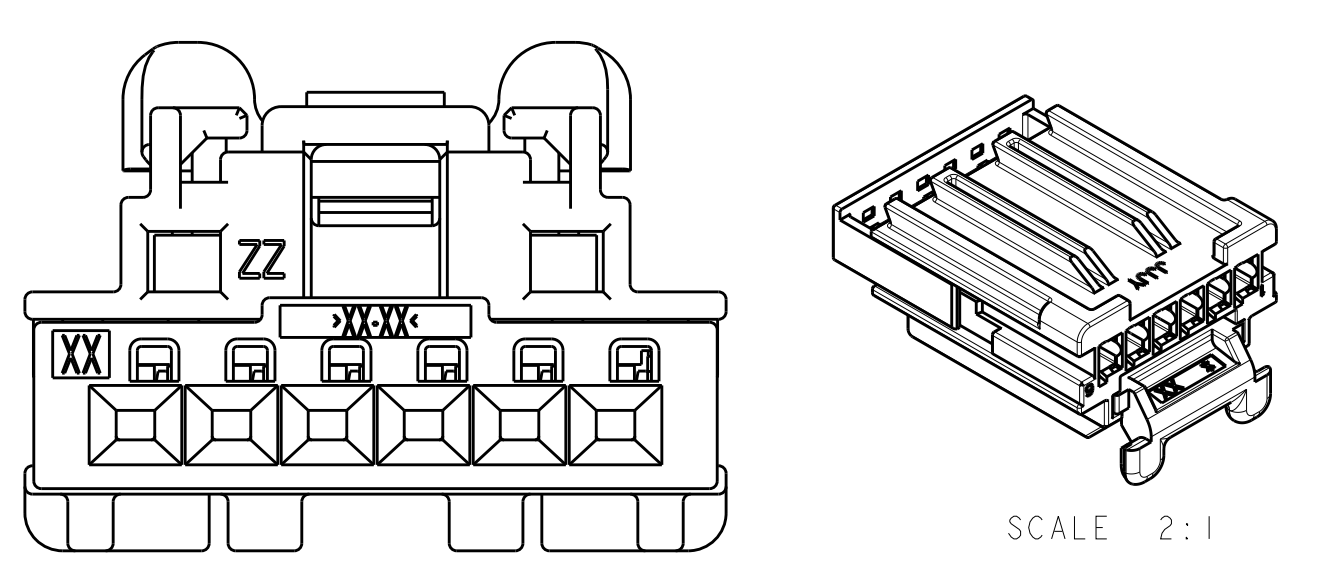
SCALE 2:1

KEYING OPTION: D



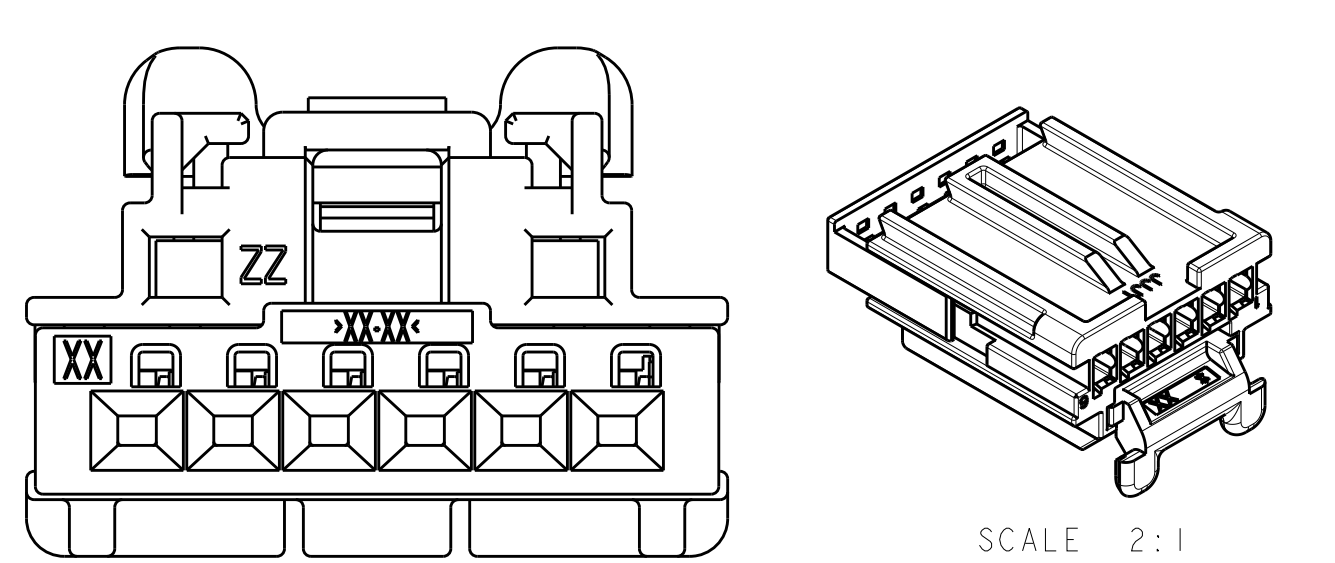
SCALE 2:1

KEYING OPTION: E

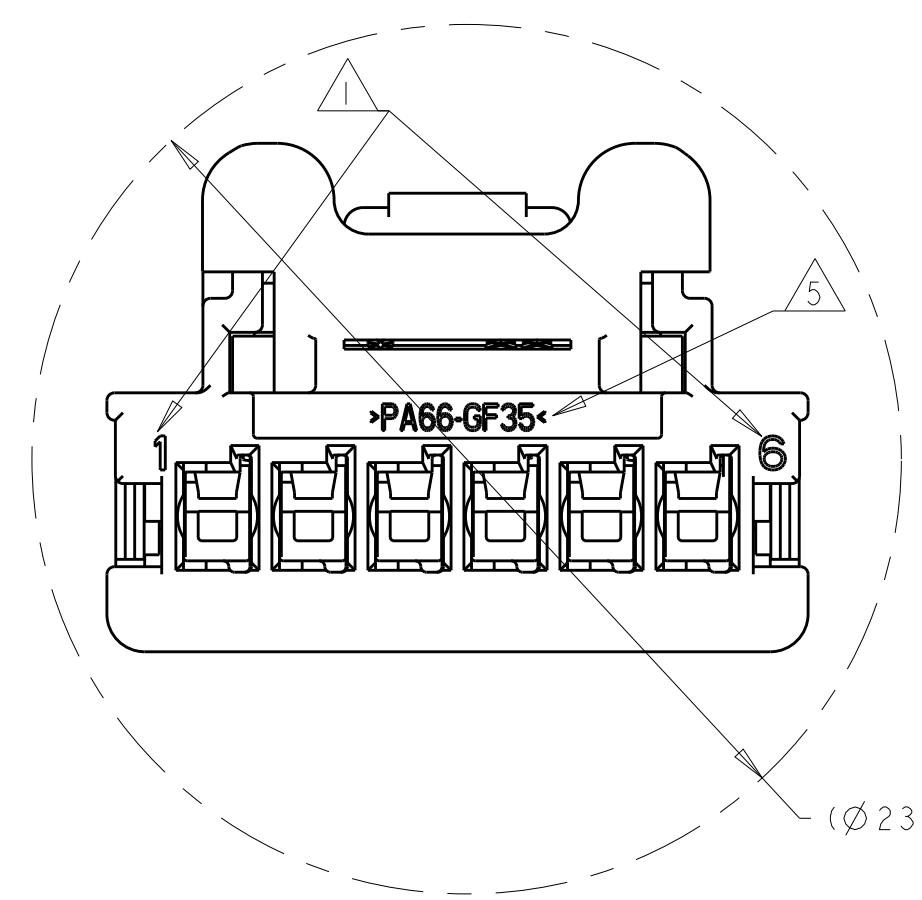
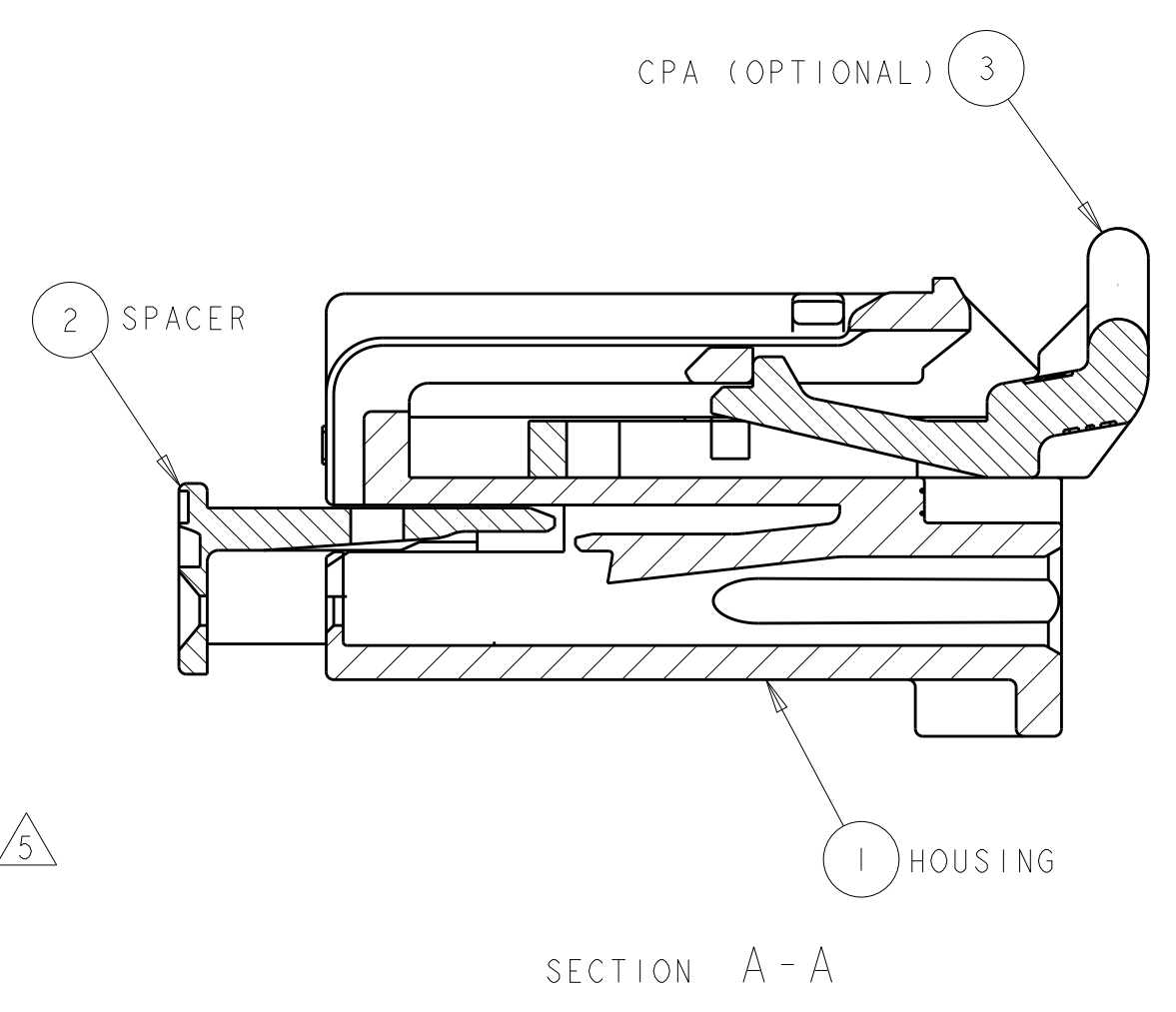
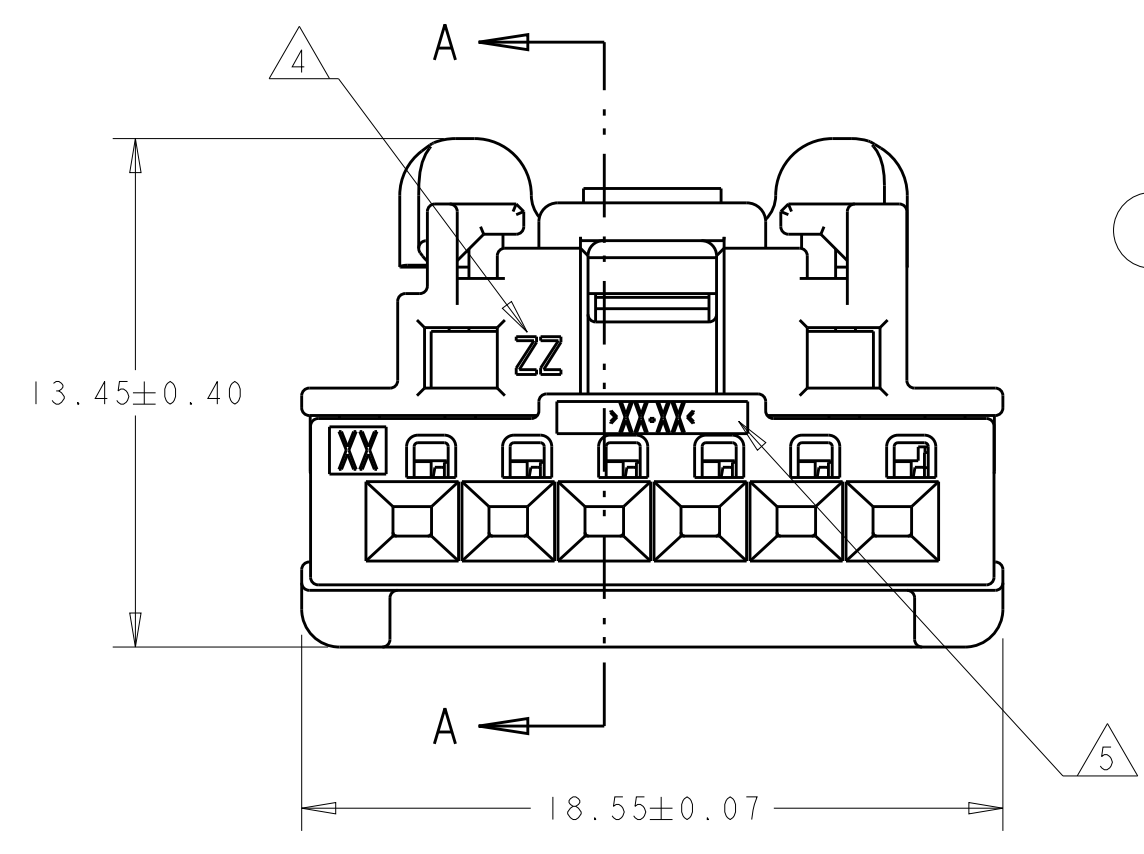
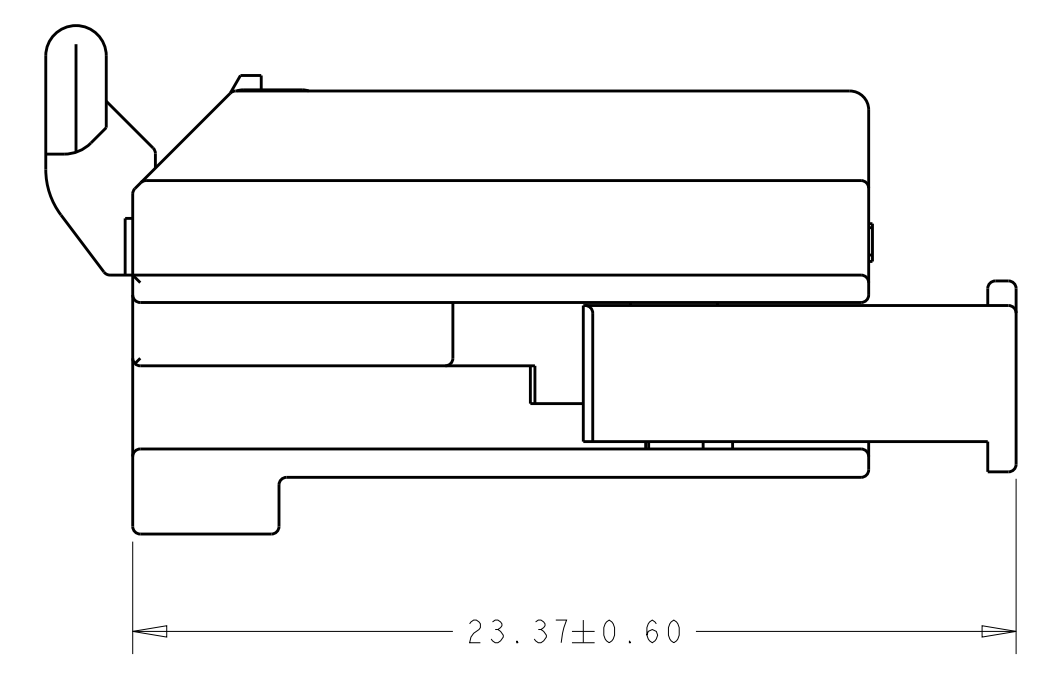


SCALE 2:1

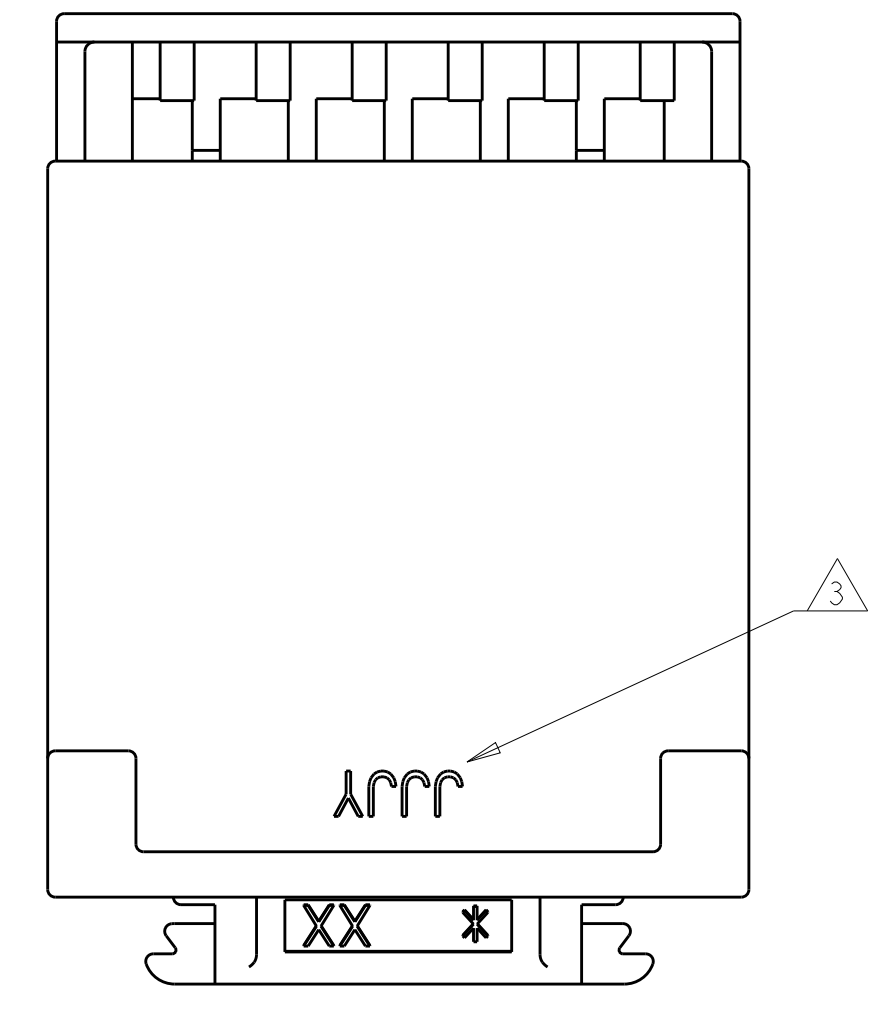
KEYING OPTION: F



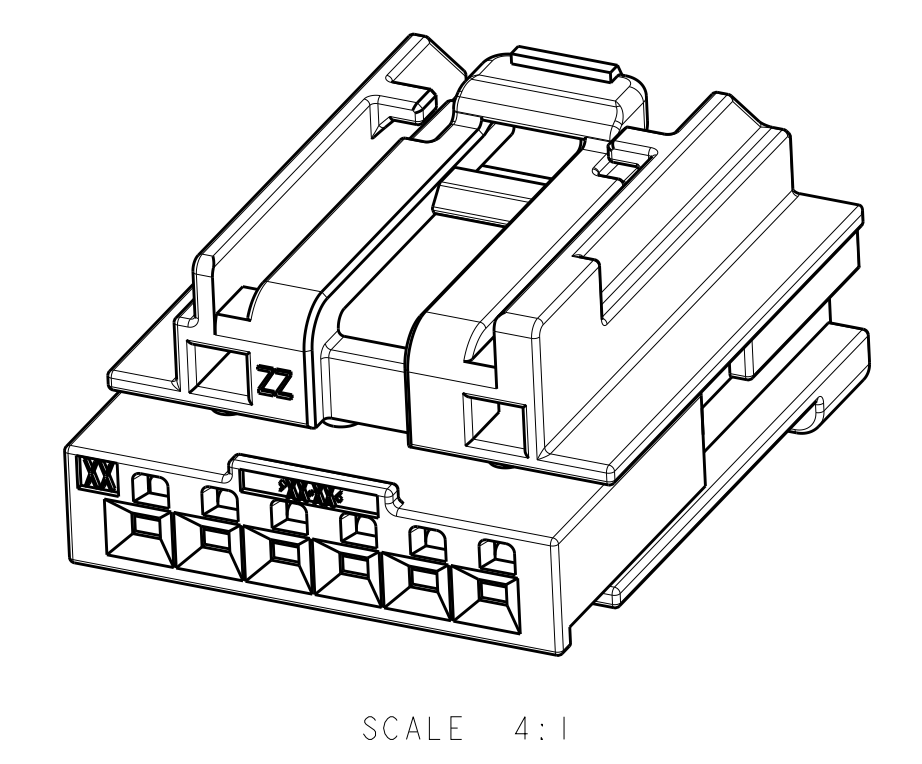
SCALE 2:1



WORST CASE THROUGH CONDITION



- △ CIRCUIT IDENTIFICATION NUMBERS LOCATED AS SHOWN.
- 2. SPACER AND CPA (OPTIONAL) ARE SHIPPED IN PRE-ASSEMBLED POSITION.
- △ DATE CODE; FORMAT: JJJ = JULIAN DAY; Y = YEAR (4TH DIGIT).
- △ MOLD CAVITY IDENTIFICATION.
- △ MATERIAL IDENTIFICATION.
- △ KEYING OPTION B NOT PREFERRED FOR NEW APPLICATIONS.
- 7. PACKAGING: CONNECTOR ASSEMBLIES BULK PACKED IN CARDBOARD BOXES.
- 8. REFERENCE TE INSTRUCTION SHEET 408-32052.



SCALE 4:1

| ASSEMBLY PART REVISION |     |             |          |       |         |   |       |         |  |
|------------------------|-----|-------------|----------|-------|---------|---|-------|---------|--|
| ASSEMBLY PN            |     |             |          |       |         |   |       |         |  |
| REV                    | QTY | DESCRIPTION | MATERIAL | COLOR | ITEM NO |   |       |         |  |
| 1-2035363-0            | A   |             |          |       |         |   |       |         |  |
| 2035363-9              | A   |             |          |       |         |   |       |         |  |
| 2035363-8              | A   |             |          |       |         |   |       |         |  |
| 2035363-7              | A   |             |          |       |         |   |       |         |  |
| 2035363-6              | A   |             |          |       |         |   |       |         |  |
| 2035363-5              | A   |             |          |       |         |   |       |         |  |
| 2035363-4              | A   |             |          |       |         |   |       |         |  |
| 2035363-3              | A   |             |          |       |         |   |       |         |  |
| 2035363-2              | A   |             |          |       |         |   |       |         |  |
| 2035363-1              | A   |             |          |       |         |   |       |         |  |
| CPA                    |     |             |          |       |         | >PBT-GF15<  | RED   | 3       |  |
| SPACER                 |     |             |          |       |         | >PBT-GF20<  | RED   | 2       |  |
| HOUSING; KEY F         |     |             |          |       |         | >PA66-GF35<   | BLACK | 1       |  |
| HOUSING; KEY E         |     |             |          |       |         | >PA66-GF35<   | BLACK | 1       |  |
| HOUSING; KEY D         |     |             |          |       |         | >PA66-GF35<   | BLACK | 1       |  |
| HOUSING; KEY C         |     |             |          |       |         | >PA66-GF35<   | BLACK | 1       |  |
| HOUSING; KEY B         |     |             |          |       |         | >PA66-GF35<   | BLACK | 1       |  |
| DESCRIPTION            |     |             |          |       |         | MATERIAL  | COLOR | ITEM NO |  |
| QTY REQ'D PER ASSY     |     |             |          |       |         | REVISION OF EACH ASSY NO (WHEN BLANK, USE DWG REVISION) |       |         |  |
|                        |     |             |          |       |         | WEIGHT OF EACH ASSY NO (g)                              |       |         |  |
| PARTS LIST             |     |             |          |       |         |   |       |         |  |

THIS DRAWING IS A CONTROLLED DOCUMENT.

DWN: D. DRUMMOND 20APR2012  
 CHK: C. MARTIN 20APR2012  
 APVD: C. MARTIN 20APR2012

TE Connectivity

NAME: FEMALE ASSEMBLY, 6 POSITION (1X6), UNSEALED, GENERATION Y

SIZE: A1 CAGE CODE: 2035363 DRAWING NO: 100779

SCALE: 5:1 SHEET 1 OF 1 REV: B4

单击下面可查看定价，库存，交付和生命周期等信息

[>>TE Connectivity\(泰科\)](#)