

THIS DRAWING IS UNPUBLISHED.

RELEASED FOR PUBLICATION

20

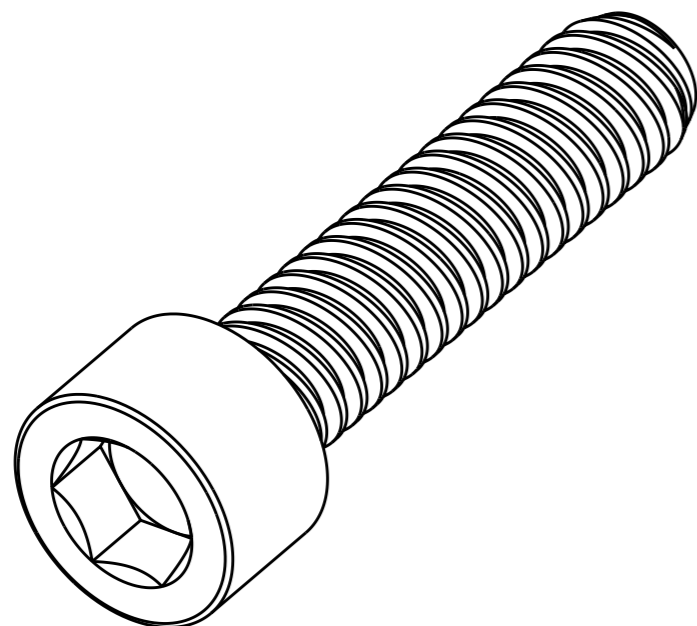
© COPYRIGHT 20 BY -

ALL RIGHTS RESERVED.

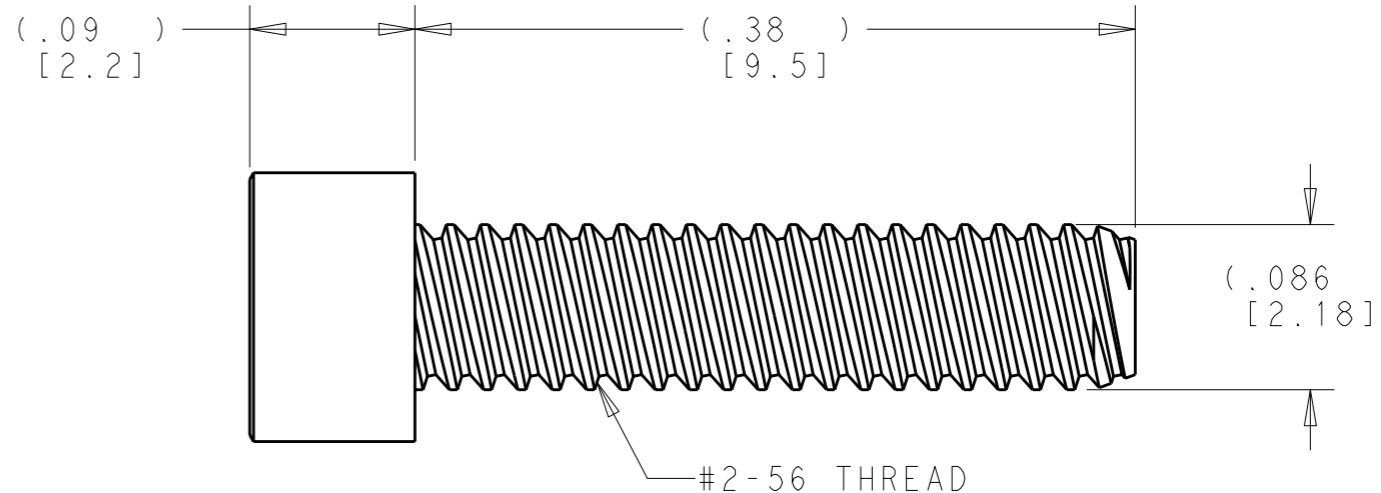
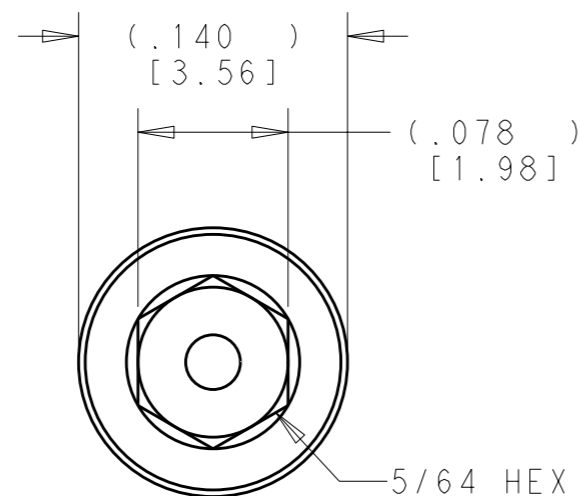
LOC GP DIST 00

REVISIONS

P	LTR	DESCRIPTION	DATE	DWN	APVD
	A	RELEASED PER ECO-12-006362	15MAY2012	CJV	MRS



1 MATERIAL:
 SOCKET HEAD CAP SCREW: 300 SERIES STAINLESS STEEL



2180467-1

PART NUMBER

THIS DRAWING IS A CONTROLLED DOCUMENT.

DWN B. MATTHEWS 22MAR2011
 CHK M. SCHMITT 22MAR2011
 APVD M. SCHMITT 22MAR2011

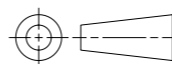
STE TE Connectivity

DIMENSIONS:

INCHES [mm]

TOLERANCES UNLESS OTHERWISE SPECIFIED:

- 0 PLC ±-
- 1 PLC ±.1
- 2 PLC ±.01
- 3 PLC ±.001
- 4 PLC ±.0001
- ANGLES ±-



PRODUCT SPEC 108-2399
 APPLICATION SPEC 114-13263
 WEIGHT -

NAME 2-56 UNC x .375 LONG SOCKET HEAD CAP SCREW, STAINLESS STEEL CFP EXTERNAL BRACKET

SIZE A3 CAGE CODE 00779 DRAWING NO C-2180467 RESTRICTED TO -

MATERIAL

FINISH -



CUSTOMER DRAWING

SCALE 10:1 SHEET 1 OF 1 REV A

单击下面可查看定价，库存，交付和生命周期等信息

[>>TE Connectivity\(泰科\)](#)