

THIS DRAWING IS UNPUBLISHED.

RELEASED FOR PUBLICATION

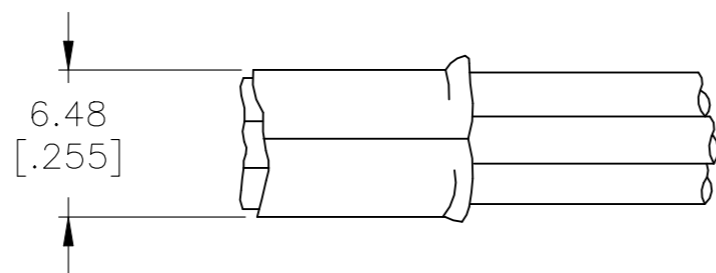
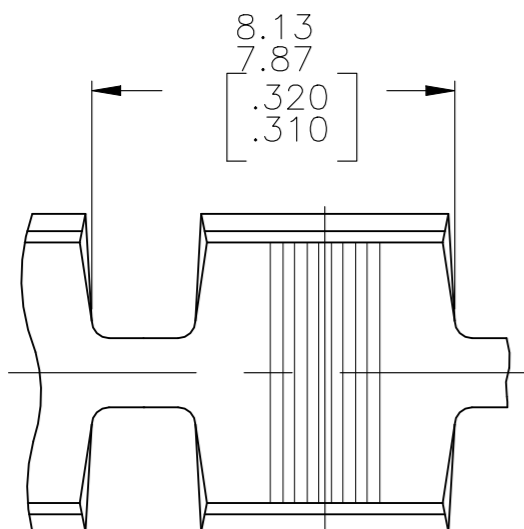
© COPYRIGHT - By TYCO ELECTRONICS CORPORATION.

ALL RIGHTS RESERVED.

LOC AF DIST 50

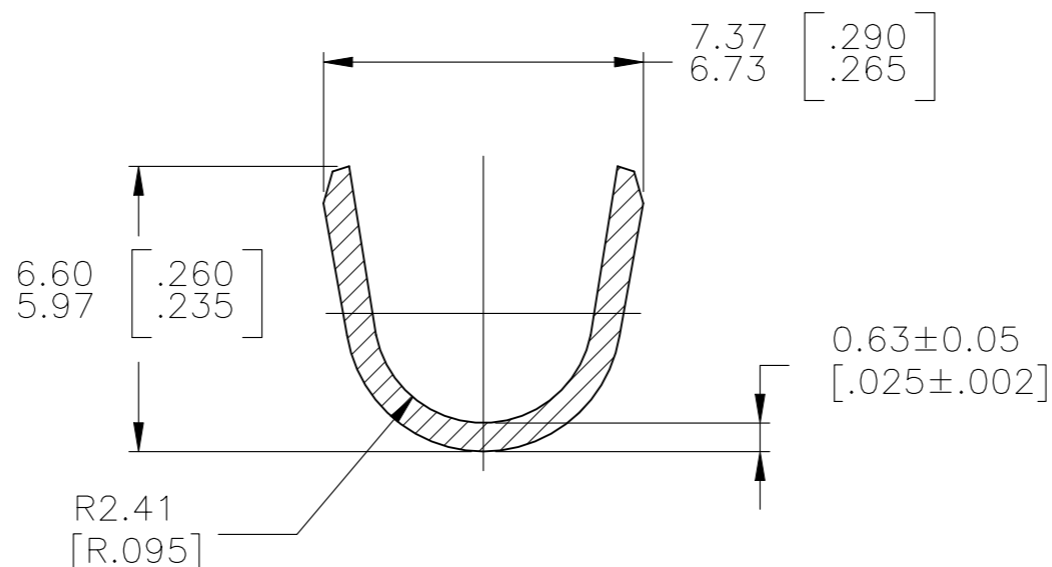
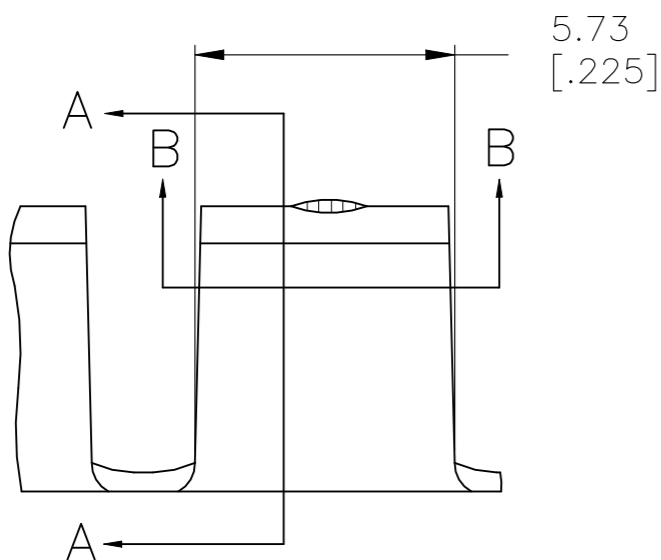
REVISIONS

P	LTR	DESCRIPTION	DATE	DWN	APVD
F1		REVISE PER ECN-21-101478	24MAR2021	BDA	KR



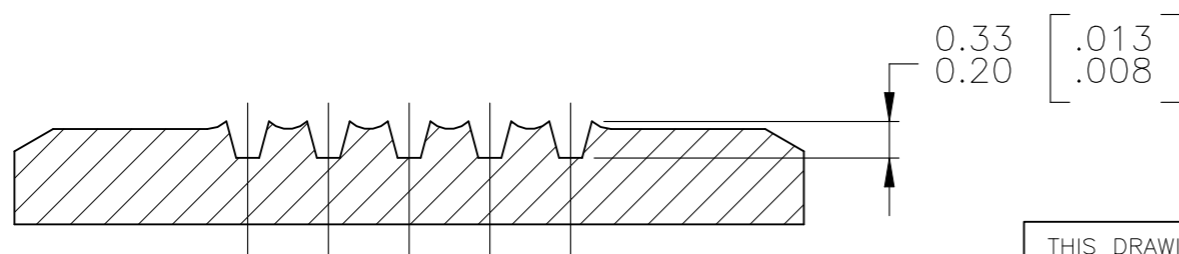
PIGTAIL CONNECTION
CRIMPED VIEW

- 1 DIMENSIONS IN BRACKETS ARE IN INCHES
- 2 CONTINUOUS STRIP ON REELS WITH TERMINALS LOCATED ON 8.00[.315] CENTERS



SECTION A-A

OBSOLETE



SECTION B-B
SCALE 20:1

7000 TO 12000 CMA	61074-1
WIRE RANGE	PART NO

THIS DRAWING IS A CONTROLLED DOCUMENT.		DWN RAGHAVENDRA 130CT06	STE TE Connectivity	
DIMENSIONS: mm [INCHES]		CHK G.D.PORTA		
TOLERANCES UNLESS OTHERWISE SPECIFIED:		APVD G.D.PORTA	NAME	
0 PLC ± -		PRODUCT SPEC	SPLICE (AMPLIVAR)	
1 PLC ± -		APPLICATION SPEC	RESTRICTED TO	
2 PLC ± -		WEIGHT -	SIZE A3	CAGE CODE 00779
3 PLC ± 0.38 [.015]			DRAWING NO C-61074	
4 PLC ± -			SCALE 6:1	SHEET 1 OF 1
ANGLES ± -			REV F1	
FINISH				
MATERIAL BRASS	FINISH TIN			
CUSTOMER DRAWING				

单击下面可查看定价，库存，交付和生命周期等信息

[>>TE Connectivity\(泰科\)](#)