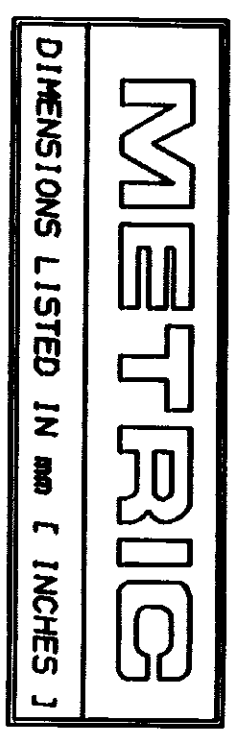
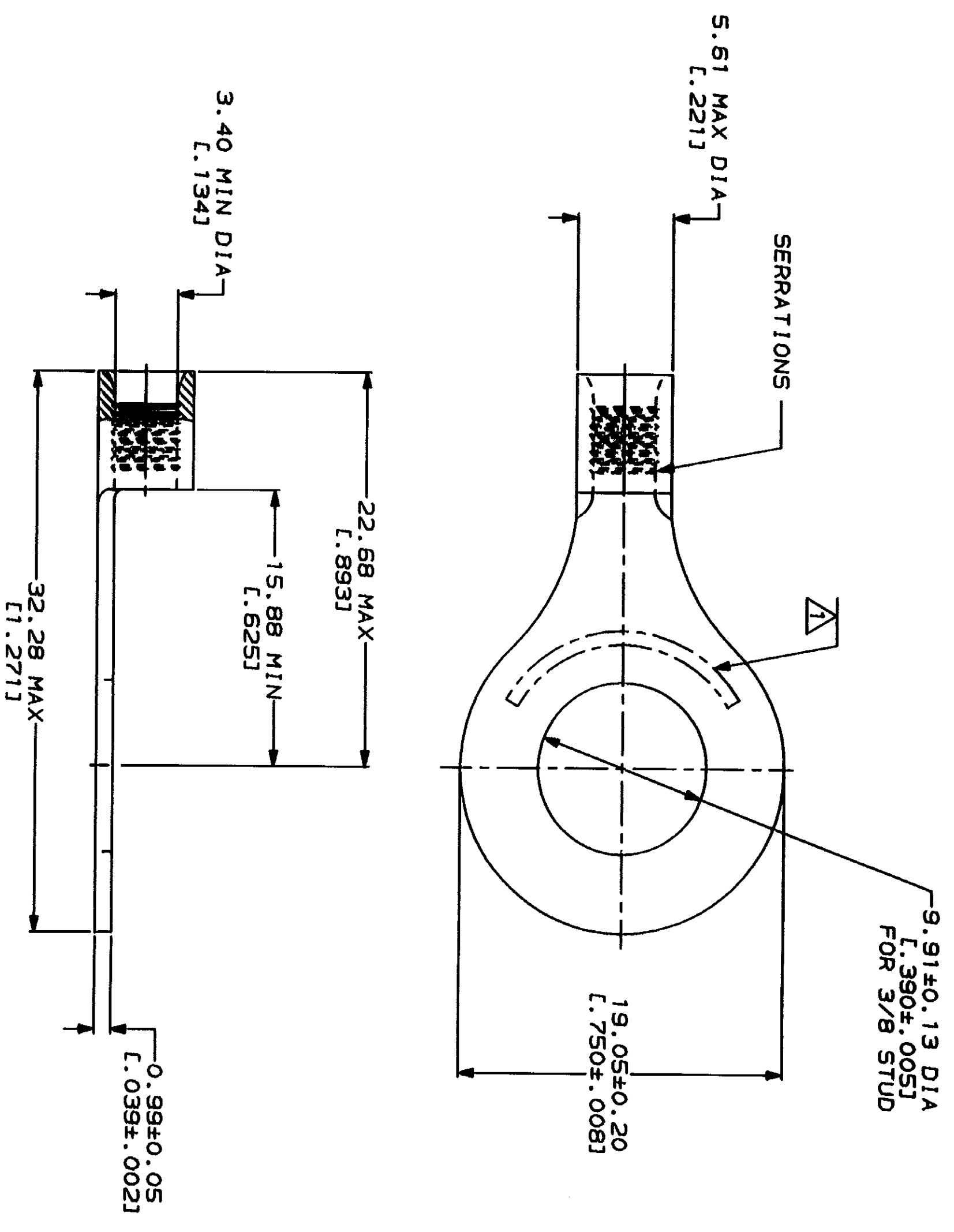


LOC	DIST	ZONE	LTR	REVISIONS	DATE	APPD
G	14	A		REVISED PER 0720-0230-93	2/28/93	AMP



WIRE RANGE	AMP 12-10 AWG STRANDED	IL E13288 IL Listed
WIRE RANGE	AMP 12-10 AWG STRANDED	MILITARY P/N AND CLASS
NOT CERTIFIED	LR2189 Certified	NOT APPLICABLE

△ STAMP AMP 12-10* APPROX AS SHOWN



AMP INCORPORATED
 CUSTOMER SERVICE SYSTEMS

FOR ADDITIONAL PRODUCT INFORMATION OR COPIES OF DRAWINGS AND TECHNICAL DOCUMENTS
 1-800-522-6752
 PRODUCT INFORMATION CENTER

FOR APPLICATION TOOLING INFORMATION
 1-800-722-1111
 TOOLING ASSISTANCE CENTER

FOR ORDER ENTRY
 1-800-526-5142

MAX RECOMMENDED OPERATING TEMPERATURE:
 170°C MAX

VOLTAGE RATINGS:
 NOT APPLICABLE

WIRE CROSS SECTIONAL AREA RANGE:
 2.62-6.64mm² [5,180-13,100] CIR MILS
 STRANDED

DO NOT SCALE PRINT.
 UNLESS SPECIFIED OTHERWISE, DIMENSIONS IN MILLIMETERS - TOLERANCES ON MILLIMETERS:
 2 PLC DEC ± .1
 3 PLC DEC ± .05

MATERIAL:
 COPPER PER ASTM B-152 ANNEALED

FINISH:
 TIN PLATE 0.00254 [L.000100] MIN THK PER MIL-T-10727

DR 2-9-93 TA BRINKMAN	DR 2-9-93 TA BRINKMAN
CHK 2-9-93 DA PATTERSON	CHK 2-9-93 DA PATTERSON
APPD 2-9-93 DE MILLER	APPD 2-9-93 DE MILLER
APPD 2-9-93 JL HECKLEY	APPD 2-9-93 JL HECKLEY
PRODUCT SPEC	PRODUCT SPEC
APPLICATION SPEC	APPLICATION SPEC
WEIGHT	WEIGHT

NAME	AMP INCORPORATED Harrisburg, PA 17105-3608
NAME	TERMINAL, RING TONGUE, BUDGET
SIZE	CASE CODE 00779
SCALE	4:1
DRAWING NO	34833
SHEET	1 OF 1

CUSTOMER DRAWING

单击下面可查看定价，库存，交付和生命周期等信息

[>>TE Connectivity\(泰科\)](#)