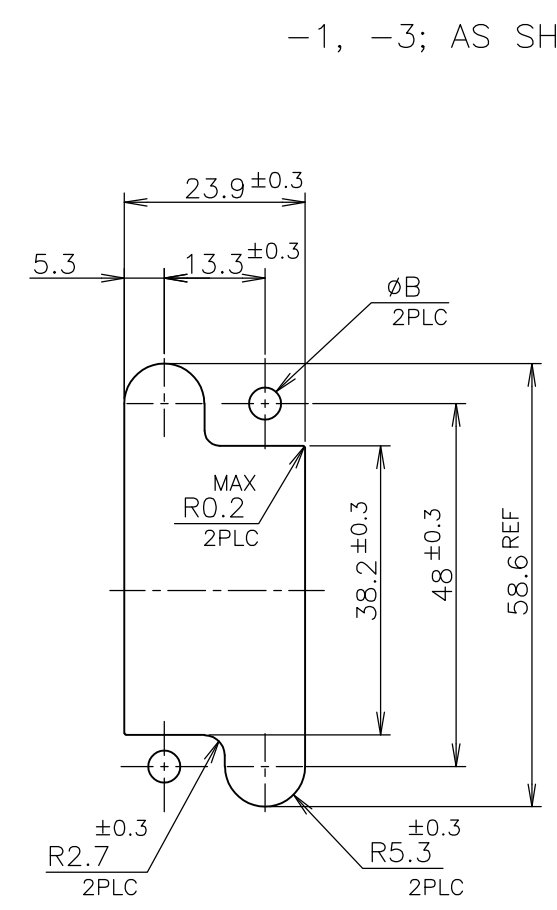
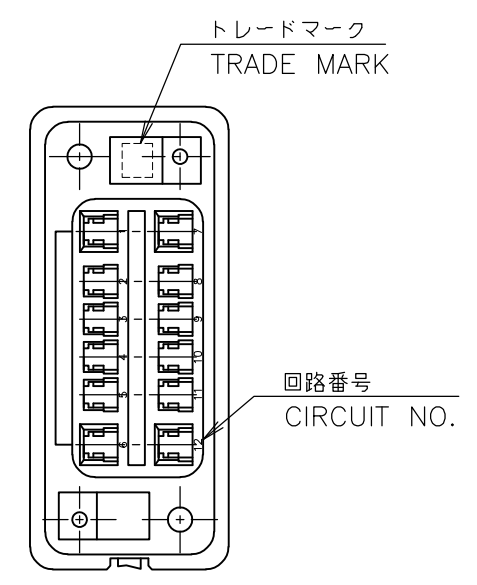
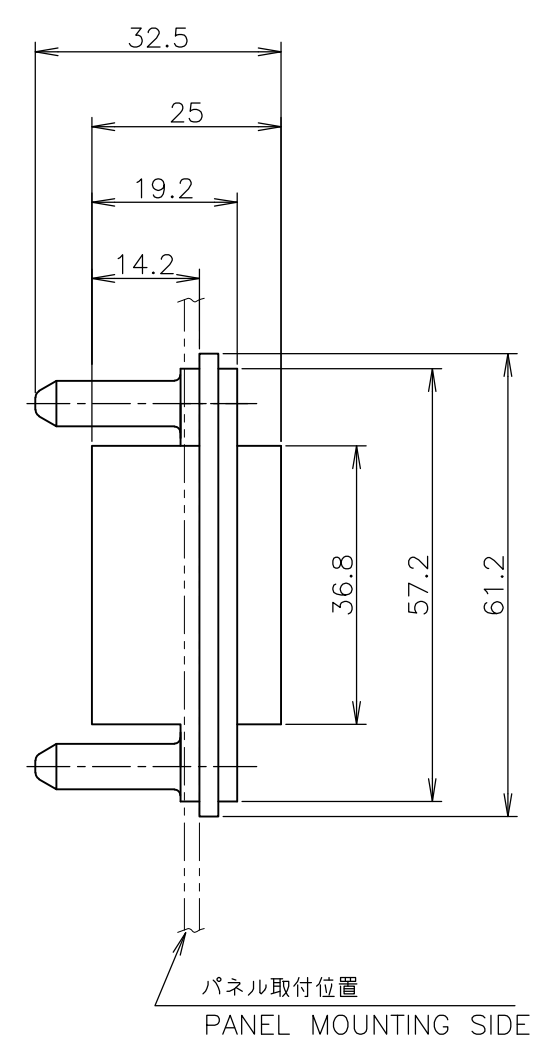
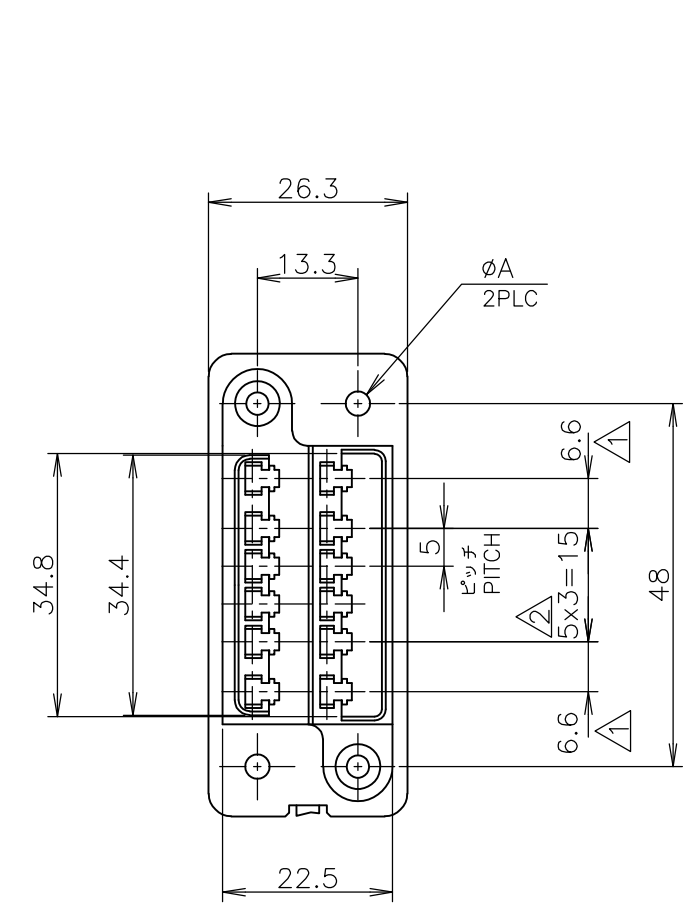


THIS DRAWING IS UNPUBLISHED. RELEASED FOR PUBLICATION JAN, 1979.
 © COPYRIGHT 1979 BY TYCO ELECTRONICS CORPORATION. ALL RIGHTS RESERVED.

LOC	DIST	REVISIONS					
J	/	P	LTR	DESCRIPTION	DATE	DWN	APVD
		D		REVISED ECR-07-028687	30NOV2007	T.T	T.F



パネルカットアウト寸法(参考)
 REFERENCE PANEL CUTOUT DIM.
 パネル板厚 1.6±0.2
 THK

- △ FOR POWER CIRCUITS (4 POS)
- △ FOR SIGNAL CIRCUITS (8 POS)
- 3 ACCOMMODATED CONTACTS ARE STRIP P/N 170311, 170312, 170484 L.P P/N 170313, 170314, 170485
- 4 FEMALE HSG P/N IS 5172069
- △ MATERIAL: PBT 94V-0 (GLASS FILLED) COLOR: BLUE

- △ 電源回路用(4極)
- △ 信号回路用(8極)
- 3 本ハウジングに使用するコンタクトは 連鎖状 型番 170311, 170312, 170484 バラ状 型番 170313, 170314, 170485
- 4 本ハウジングにかん合する雌ハウジングは 5172069
- △ 材料: PBT 94V-0(ガラス入り) 色: 青

5.3	4.3	(4mm)	172061-3
4.3	3.3	DRAWER CONN. 12POS MALE HSG (3mm)	172061-1
B ±0.3	A	NAME	PART NO.

THIS DRAWING IS A CONTROLLED DOCUMENT.		DWN K.YUASA 08JAN1979	Tyco Electronics Corporation Kawasaki, Japan	
DIMENSIONS: 単位: 耗 mm	TOLERANCES UNLESS OTHERWISE SPECIFIED: 一般公差	CHK H.TAGUCHI 12JAN1979	NAME 名称 12POS MALE HSG DRAWER CONNECTOR	
		APVD A.TOMITA 12JAN1979	PRODUCT SPEC 製品規格 108-5125	
MATERIAL 材料	FINISH 仕上	APPLICATION SPEC 取付適用規格 114-5044	SIZE A3	CAGE CODE 00779
		WEIGHT	DRAWING NO 番号 G-172061	RESTRICTED TO —
CUSTOMER DRAWING			SCALE 尺度 1:1	SHEET 1 OF 1

单击下面可查看定价，库存，交付和生命周期等信息

[>>TE Connectivity\(泰科\)](#)