

THIS DRAWING IS UNPUBLISHED. RELEASED FOR PUBLICATION
 © COPYRIGHT BY TYCO ELECTRONICS CORPORATION. ALL INTERNATIONAL RIGHTS RESERVED.


LOC	DIST	REVISIONS					
GP	00	P	LTR	DESCRIPTION	DATE	DWN	APVD
		C		REV PER ECO-09-000617	27JAN2009	RG	PD

CONNECTOR	CONFIGURATION REF #	CONTACT	POSITION	CONTACT PITCH	VOLTAGE RATING*
PIN	MPK003	SIGNAL	9-32	2.50 [1.098]	60 VOLTS
		POWER	1-2, 3-4 5-6, 7-8	4.50 [1.77]	COMMON

- PART NUMBER CHANGES AND OR DESIGN CHANGES AFFECTING ITEM INTERCHANGEABILITY REQUIRE PRIOR TYCO ELECTRONICS APPROVAL AND AUTHORIZATION BY REVISION TO THIS DRAWING.
- MATERIALS:
 - INSULATORS: THERMOPLASTIC, GLASS REINFORCED, COLOR BLACK. UL94V-0 FLAMMABILITY RATED.
 - SIGNAL CONTACTS: BRASS ALLOY.
 - POWER CONTACTS: COPPER ALLOY.
- FINISHES:
 - CONTACT PLATING: GOLD PLATE 0.76µm MIN. THK OVER NICKEL 1.27µm MIN THK.
 - TERMINALS: TIN PLATE 2.54µm MIN THK OVER NICKEL 1.27µm MIN THK.
- ITEMS PROVIDED TO THIS SPECIFICATION TO BE PERMANENTLY IDENTIFIED PER THE FOLLOWING IDENTIFIER.

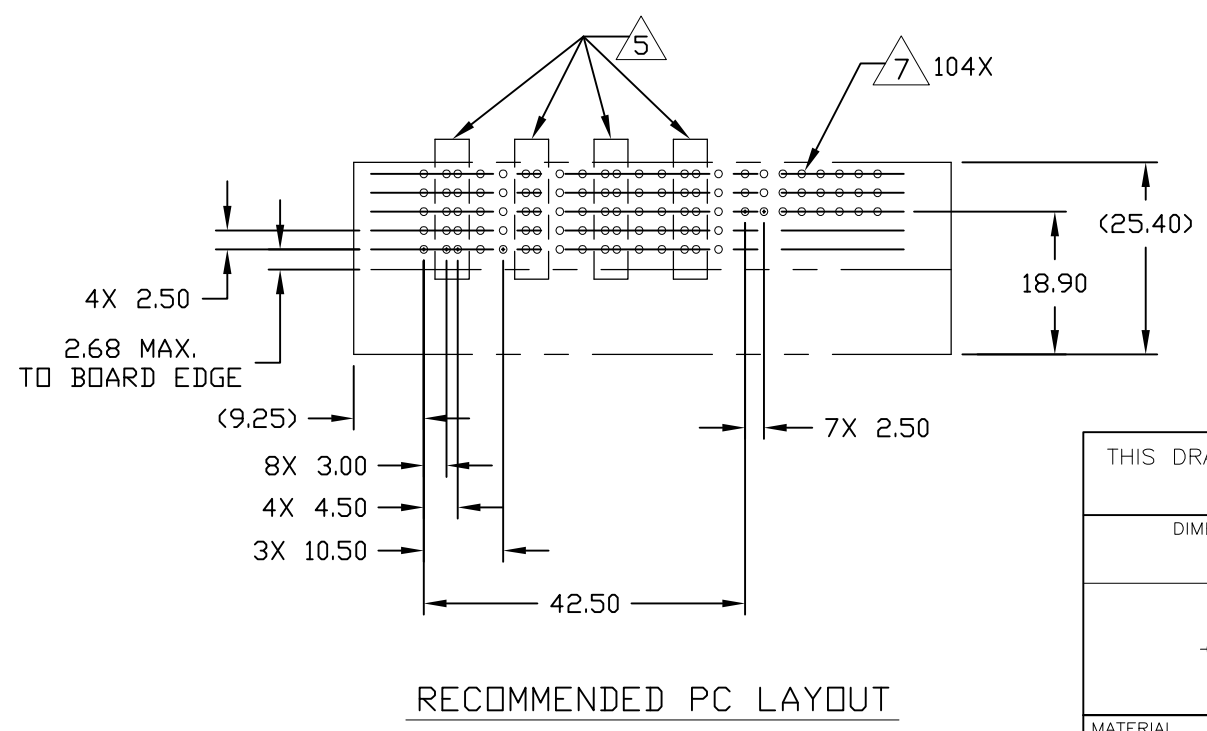
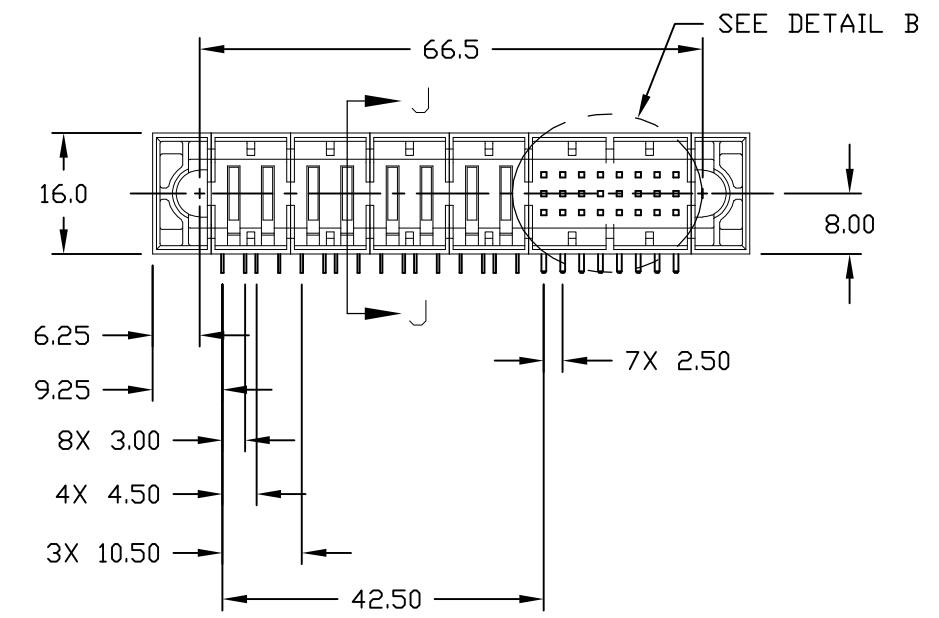
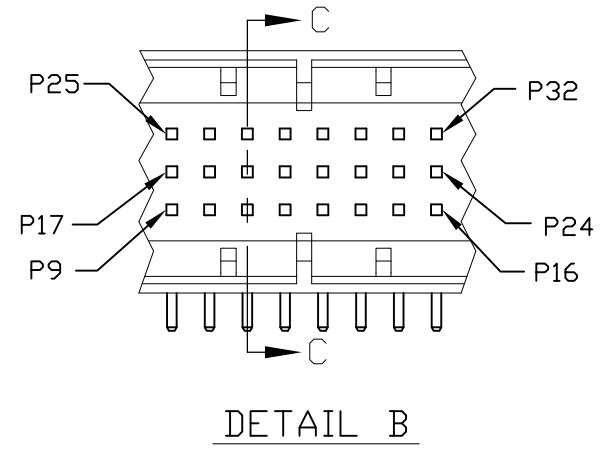
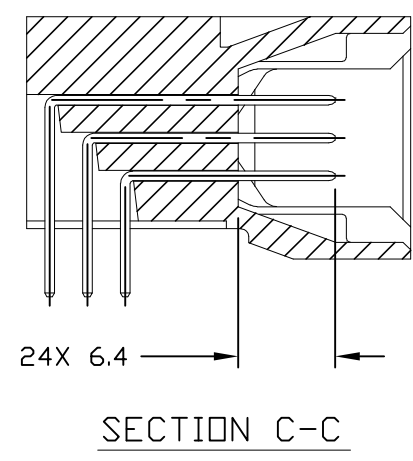
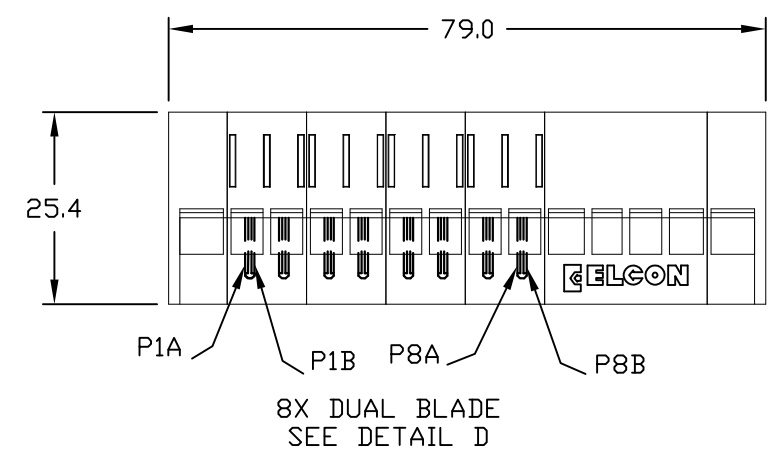
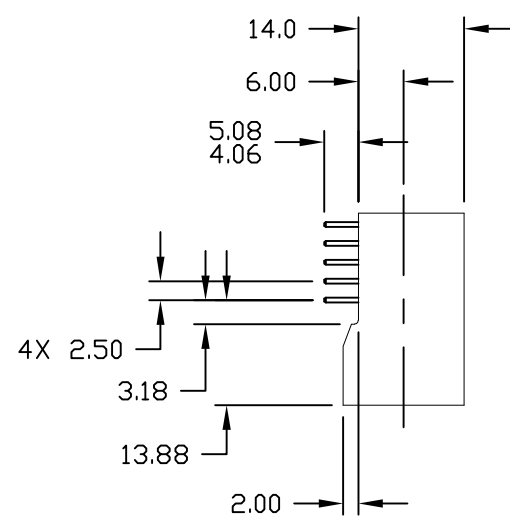
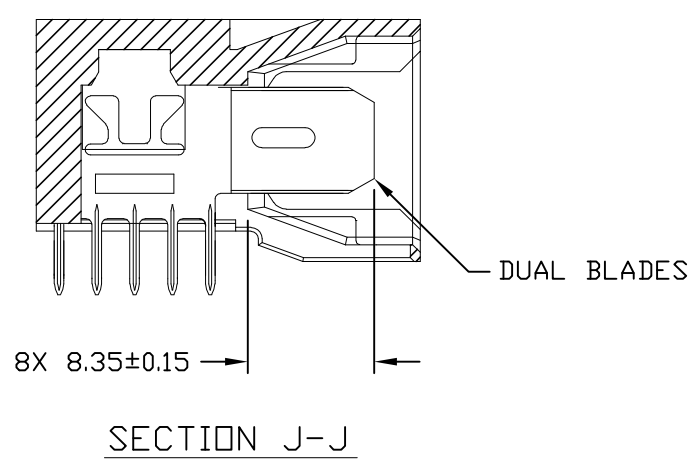
YEAR WEEK
 TYCO ELECTRONICS P/N DATE CODE (e.g. 0522)
 _____ _____
 XXXXXXXX-X XXXX

5 PINS INTERNAL TO DASHED LINE ARE SHORTED TO EACH OTHER.
 1B IS SHORTED TO 2A.
 3B IS SHORTED TO 4A.
 5B IS SHORTED TO 6A.
 7B IS SHORTED TO 8A.

THIS DRAWING IS A CONTROLLED DOCUMENT.		DWN 12/23/05 RFA/GRZYBOWSKI	 Tyco Electronics Corporation Harrisburg, PA 17105-3608	
DIMENSIONS: mm		CHK - P.DAMATO		
TOLERANCES UNLESS OTHERWISE SPECIFIED:		APVD 12/23/05 CHAU/PERCHERKE	NAME PIN CONNECTOR ASSEMBLY RIGHT ANGLE, SOLDER TAIL MINIPAK	
0 PLC ± - 1 PLC ± .5 2 PLC ± .25 3 PLC ± - 4 PLC ± - ANGLES ± .5		PRODUCT SPEC -	RESTRICTED TO -	
MATERIAL -		APPLICATION SPEC -	SIZE A3	CAGE CODE 00779
FINISH -		WEIGHT -	DRAWING NO C-1926017	REV C
CUSTOMER DRAWING			SCALE 1:1	SHEET 1 OF 3

THIS DRAWING IS UNPUBLISHED. RELEASED FOR PUBLICATION
 © COPYRIGHT BY TYCO ELECTRONICS CORPORATION. ALL INTERNATIONAL RIGHTS RESERVED.

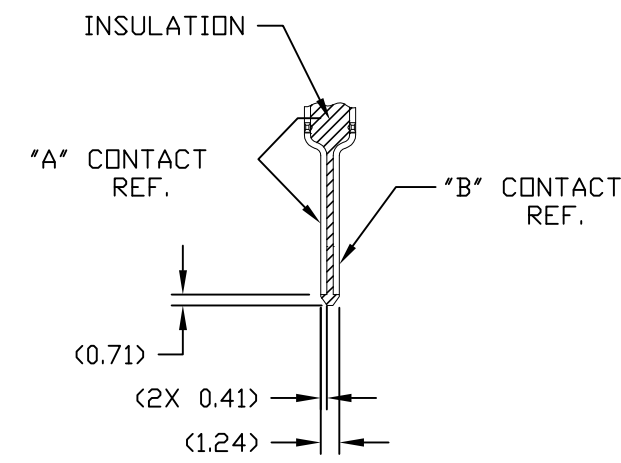
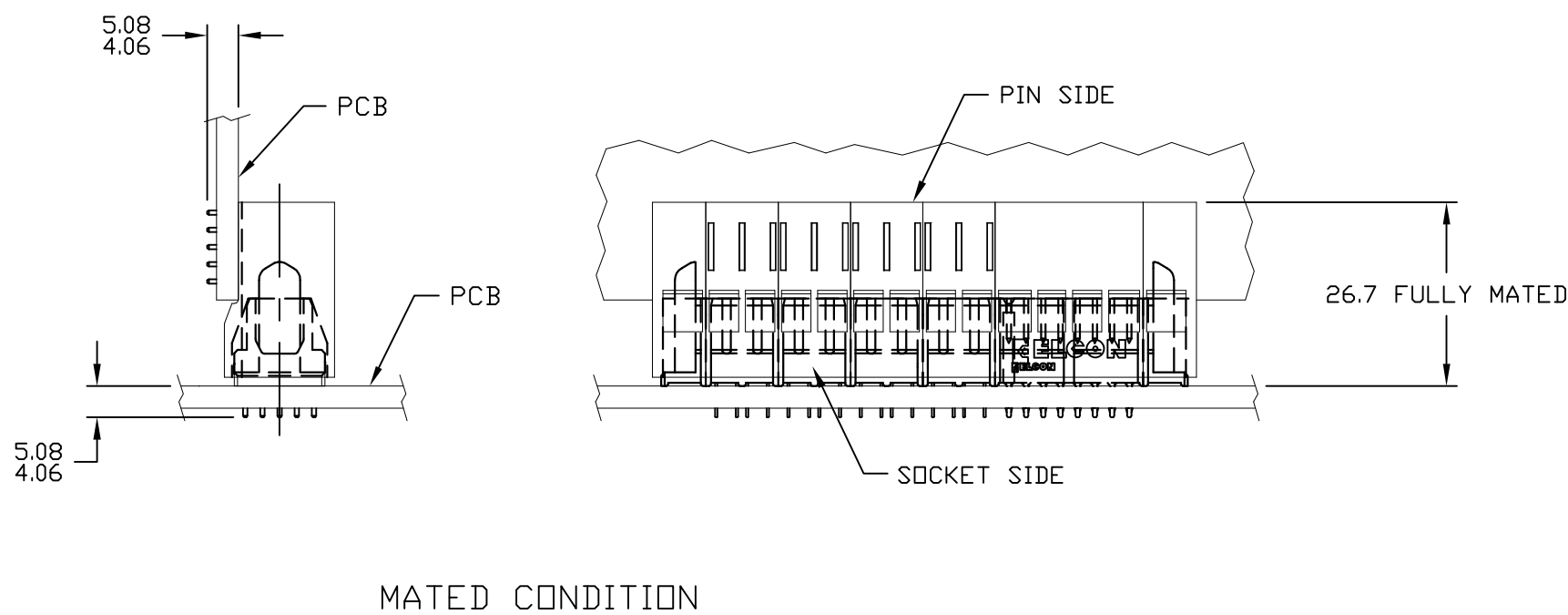
LOC	DIST	REVISIONS			
P	LTR	DESCRIPTION	DATE	DWN	APVD
GP	00	SEE SHEET 1	-	-	-



THIS DRAWING IS A CONTROLLED DOCUMENT.		DWN 12/23/05 RFA/GRZYBOWSKI	Tyco Electronics Corporation Harrisburg, PA 17105-3608	
DIMENSIONS: mm		CHK P.DAMATO	NAME	
TOLERANCES UNLESS OTHERWISE SPECIFIED:		APVD 12/23/05 CHAU/PERCHERKE	PRODUCT SPEC	
0 PLC ± - 1 PLC ± .5 2 PLC ± .25 3 PLC ± - 4 PLC ± - ANGLES ± .5		APPLICATION SPEC		
MATERIAL		WEIGHT -	SIZE A3	CAGE CODE 00779
		DRAWING NO C-1926017		RESTRICTED TO
		CUSTOMER DRAWING		SCALE 1:1
		SHEET 2 OF 3		REV C

THIS DRAWING IS UNPUBLISHED. RELEASED FOR PUBLICATION
 © COPYRIGHT - BY TYCO ELECTRONICS CORPORATION. ALL INTERNATIONAL RIGHTS RESERVED.

LOC	DIST	REVISIONS					
GP	00	P	LTR	DESCRIPTION	DATE	DWN	APVD
		-		SEE SHEET 1	-	-	-



DETAIL A

7 SOLDER TERMINATION AREA
 RECOMMENDED PRINTED CIRCUIT HOLE

FINISHED HOLE: $\phi 1.02 \pm 0.08$
 DRILLED HOLE: $\phi 1.15 \pm 0.013$
 COPPER PLATE: .025-.050 MINIMUM (PER SURFACE)
 TIN PLATE: .0005 MINIMUM (PER SURFACE)

THIS DRAWING IS A CONTROLLED DOCUMENT.		DWN RFA/GRZYBOWSKI 12/23/05	Tyco Electronics Corporation Harrisburg, PA 17105-3608	
DIMENSIONS: mm		CHK P.DAMATO	NAME	
TOLERANCES UNLESS OTHERWISE SPECIFIED:		APVD CHAU/PERCHERKE 12/23/05	PIN CONNECTOR ASSEMBLY RIGHT ANGLE, SOLDER TAIL MINIPAK	
MATERIAL		PRODUCT SPEC	SIZE	RESTRICTED TO
FINISH		APPLICATION SPEC	CAGE CODE	DRAWING NO
-		WEIGHT	A3 00779	C-1926017
		CUSTOMER DRAWING	SCALE	SHEET
			1:1	3 OF 3
				REV C

单击下面可查看定价，库存，交付和生命周期等信息

[>>TE Connectivity\(泰科\)](#)